



**CI1250  
Alterra®  
Wood Insert**

**Owner's & Installation Manual**



French Manual Download: <http://ow.ly/ZucMD>



*Installer:* Please complete the details on the back cover and leave this manual with the homeowner.  
*Homeowner:* Please keep these instructions for future reference.

Thank-you for purchasing a **REGENCY FIREPLACE PRODUCT.**

The pride of workmanship that goes into each of our products will give you years of trouble-free enjoyment. Should you have any questions about your product that are not covered in this manual, please contact the REGENCY DEALER in your area. Keep those REGENCY FIRES burning.

"This wood heater has a manufacturer set minimum low burn rate that must not be altered. It is against federal regulations to alter this setting or otherwise operate this wood heater in a manner inconsistent with operating instructions in this manual." Failure to follow the manual details can lead to smoke and CO emissions spilling into the home. It is recommended to have monitors in areas that are expected to generate CO such as heater fuelling areas.

**"U.S. ENVIRONMENTAL PROTECTION AGENCY** Certified to comply with 2015 particulate emission standards using crib wood". Not approved for sale after May 15, 2020."

Model Regency CI1250 – 3.0 g /hr.

**SAFETY NOTE:** If this woodstove is not properly installed, a house fire may result. For your safety, follow the installation instructions, contact local building, fire officials, or authority having jurisdiction about restrictions and installation inspection requirements in your area.

**The following statements are required by the Environmental Protection Agency:**

"This manual describes the installation and operation of the Regency CI1250 wood heater. This heater meets the 2015 U.S. Environmental Protection Agency's crib wood emission limits for wood heaters. Under specific test conditions this heater has been shown to deliver heat at rates ranging from 10,600 BTU/hr to 34,700 BTU/hr." This unit has been tested using 5G series and generates the best efficiency when operated using well-seasoned wood and installed in the main living areas where the majority of the chimney is within the building envelope and fully lined."

"It is against federal regulation to operate this wood heater in a manner inconsistent with operating instructions in this manual, or if any parts are removed. " It is against federal regulation to operate this wood heater in a manner inconsistent with operating instructions in this manual.

**CAUTION: BURN UNTREATED WOOD ONLY. OTHER MATERIALS SUCH AS WOOD PRESERVATIVES, METAL FOILS, COAL, PLASTIC, GARBAGE, SULPHUR OR OIL MAY DAMAGE THE HEATER**

"This heater is designed to burn natural wood only. Higher efficiencies and lower emissions generally result when burning air dried seasoned hardwoods, as compared to softwoods or to green or freshly cut hardwoods."

**DO NOT BURN:**

- Treated wood
- Coal
- Garbage
- Cardboard
- Solvents
- Colored Paper
- Trash
- Lawn clippings or yard waste
- Materials containing rubber including tires
- Materials containing plastic
- Waste petroleum products , paints or paint thinners or asphalt products
- Materials containing asbestos
- Construction or demolition debris
- Railroad ties
- Manure or animal remains
- Saltwater driftwood or other previously salt water saturated materials
- Unseasoned wood
- Paper products, cardboard, plywood or particle board. The prohibition against burning these materials does not prohibit the use of fire starters made from paper, cardboard, saw dust, wax and similar substances for the purpose of starting a fire in a wood heater

Burning these materials may result in release of toxic fumes or render the heater ineffective and cause smoke.

The authority having jurisdiction (such as Municipal Building Department, Fire Department, Fire Prevention Bureau, etc.) should be consulted before installation to determine the need to obtain a permit.

This unit must be connected to either a listed factory built chimney suitable for use with solid fuels and conforming to ULC629 in Canada or UL-103HT in the United States of America or code approved masonry chimney with flue liner.

CI1250 is tested and certified to ULC-S628, ULC-S627 and UL1482.

**SAVE THESE INSTRUCTIONS**



Copy of the Safety Decal (CI1250).....4

**DIMENSIONS**

Unit Dimensions CI1250.....5  
 (with standard blower) .....5  
 Optional backing plate dimensions.....6

**INSTALLATION**

Before Installing Your Insert.....7  
 Chimney Specifications .....7  
 Fireplace Specifications.....7  
 Masonry And Factory Built Fireplace Clearances .....8  
 How To Determine If Alternate.....8  
 Floor Protection Materials Are Acceptable .....8  
 Installing Your Insert .....9  
 Installation Into a Masonry Fireplace..... 11  
 Installation Into a Factory Built Fireplace..... 11  
 Stainless steel smoke deflector Installation ..... 12  
 Cast faceplate installation..... 13  
 3 piece backing plate installation..... 16  
 Door reversal ..... 17  
 Brick Flue Baffle & Secondary Air Tube Installation .... 18  
 Firebrick Assembly ..... 18  
 Draft Control ..... 18

**OPERATING INSTRUCTIONS**

Seasoned wood..... 19  
 First Fire .....20  
 Fan Operation.....21  
 Cord reversal .....21  
 Ash Disposal.....22  
 Some Safety Guidelines .....22  
 Creosote .....22  
 Door Gasket .....23  
 Glass Cleaning .....23  
 Door Removal.....23  
 Glass Replacement .....23  
 Handle  
 Replacement .....24  
 Door catch Adjustment .....24  
 Fan maintenance .....24  
 Fan removal.....25  
 Main Assembly CI1250.....27  
 Cast Faceplate.....28  
 Firebrick.....28

**WARRANTY**

Warranty .....29

ALL PICTURES / DIAGRAMS SHOWN THROUGHOUT THIS MANUAL ARE FOR ILLUSTRATION PURPOSES ONLY. ACTUAL PRODUCT MAY VARY DUE TO PRODUCT ENHANCEMENTS.



**NATIONAL FIREPLACE INSTITUTE**  
**CERTIFIED**  
[www.nficertified.org](http://www.nficertified.org)

We recommend that our products be installed and serviced by professionals who are certified in the U.S. by the National Fireplace Institute® (NFI) or in Canada by Wood Energy Technical Training (WETT).




Wood Energy  
 Technical Training  
www.wettinc.ca

# 4 | safety decal

This is a copy of the label that accompanies each **C11250 Wood Insert**. We have printed a copy of the contents here for your review.


**NOTE:** Regency units are constantly being improved. Check the label on the unit and if there is a difference, the label on the unit is the correct one.

**367** (Duplicate Serial #)



Intertek

LISTED FACTORY BUILT FIREPLACE INSERT  
 CERTIFIED FOR USE IN CANADA AND U.S.A.  
 MODEL: **C11250**  
 TESTED TO:  
 ULC S628-M93 / UL 1482-2006 / ULC S627-00



REGENCY  
FIREPLACE PRODUCTS

MADE IN CANADA  
WN # 16600

**DO NOT REMOVE THIS LABEL**

---

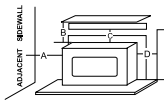
INSTALL AND USE ONLY IN ACCORDANCE WITH THE MANUFACTURER'S INSTALLATION AND OPERATING INSTRUCTIONS. INSTALL AND USE ONLY IN MASONRY FIREPLACE OR FACTORY BUILT FIREPLACE. CONTACT LOCAL BUILDING OR FIRE OFFICIALS ABOUT RESTRICTIONS AND INSTALLATION INSPECTION IN YOUR AREA.

INSTALLER ET UTILISER SELONS LES INSTRUCTIONS DU FABRICANT. INSTALLER ET UTILISER DANS UN FOYER DE MACONNERIE OU PRÉFABRIQUÉ. APPELER VOTRE INSPECTEUR DE BÂTIMENT OU LE DÉPARTEMENT D'INCENDIE LOCAL POUR LES CODES LOCAUX ET POUR INSPECTÉE VOTRE INSTALLATION ET FOYER.

---

**MINIMUM CLEARANCES TO COMBUSTIBLE MATERIALS (MEASURED FROM INSERT BODY)**

ADJACENT SIDEWALL	A) 15in / 380mm
MANTLE	B) 20in / 510mm
TOP FACING	C) 14in / 355 mm
SIDE FACING	D) 7.375in / 185mm



INSTALL ONLY ON A NON-COMBUSTIBLE HEARTH RAISED (F) 1.5IN / 38MM ABOVE AN ADJACENT COMBUSTIBLE FLOOR. COMBUSTIBLE FLOOR MUST BE PROTECTED BY NON-COMBUSTIBLE MATERIAL EXTENDING (E) 16 IN / 405MM (US), 18 IN / 457MM (CAN) TO FRONT AND (G) 8 IN / 205MM TO SIDES FROM FUEL DOOR.

INSTALLER SUR UN ÂTRE DE MATÉRIAU NON COMBUSTIBLE SURÉLEVÉ (F) 1,5 POUCES / 38MM-DESSUS DU PLANCHER COMBUSTIBLE ADJACENT. LE PLANCHER COMBUSTIBLE DOIT ÊTRE PROTÉGÉ PAR LE MATÉRIAU NON COMBUSTIBLE QUI ÉTENDRE (E) 16 IN / 405MM (ETATS-UNIS), 18 IN / 457 MM (CAN) EN AVANT ET (G) 8 IN / 205MM LES CÔTÉ DE LA PORTE.

---

COMPONENTS REQUIRED FOR INSTALLATION: 5.5" (140mm) OR 6" (152MM) STAINLESS STEEL LINER. STANDARD ADAPTOR (171-932) OR OFFSET ADAPTOR (171-936). STANDARD COMPONENT: FAN ELECTRICAL RATING: VOLTS 115, 60HZ. DO NOT REMOVE BRICKS OR MORTAR IN MASONRY FIREPLACE. FOR USE WITH SOLID WOOD FUEL ONLY. DO NOT USE GRATE OR ELEVATE FIRE. BUILD WOOD FIRE DIRECTLY ON HEARTH. OPERATE WITH FEED DOOR CLOSED, OPEN TO FEED FIRE ONLY. REPLACE GLASS ONLY WITH CERAMIC GLASS (5MM). INSPECT AND CLEAN CHIMNEY FREQUENTLY. UNDER CERTAIN CONDITIONS OF USE CREOSOTE BUILDUP MAY OCCUR RAPIDLY. DO NOT OVERFIRE, IF INSERT GLOWS YOU ARE OVER-FIRING.

918-916d

PIÈCES NÉCESSAIRES POUR INSTALLATION :5.5" (140MM) OR 6" (152MM) CONDUITS EN ACIER INOXYDABLE. ADAPTEUR DE CONDUIT DE FUMÉE STANDARD (171-932) OU COUDÉ (171-936) COMPONENT STANDARD : FAN ELECTRICAL RATING: VOLTS 115, 60HZ. N'ENLEVER NI BRIQUES NI MORTIER DU FOYER LORSQUE VOUS EFFECTUEZ L'INSTALLATION DU POÊLE ENCASTRABLE. UTILISER SEULEMENT DU BOIS DE CHAUFFAGE. NE PAS UTILISER UNE GRILLE. ÉTABLIR LE FEU DIRECTEMENT SUR LES BRIQUES DANS LE FOND DU POÊLE. OPÉREZ AVEC LA PORTÉ DE NOURRITURE FERMÉE. OUVERTE POUR NOURRIR LE FEU SEULEMENT. REMPLACEZ LE VERRE SEULEMENT AVEC LE VERRE CÉRAMIQUE (5 MM). INSPECTEZ ET NETTOYEZ VOTRE CHEMINÉE FRÉQUEMMENT. LA FRÉQUENCE D'UTILISATION ET LA TEMPÉRATURE AUXQUELS LE POÊLE EST UTILISÉ DE FAÇON RÉGULIÈRE PEUT AFFECTER CETTE ACCUMULATION DE CRÉOSOTE. NE PAS SURCHAUFFER.

MANUFACTURED BY:  
 FPI FIREPLACE PRODUCTS INTERNATIONAL LTD.  
 6388 VENTURE ST.  
 DELTA, BC V4G 1H4

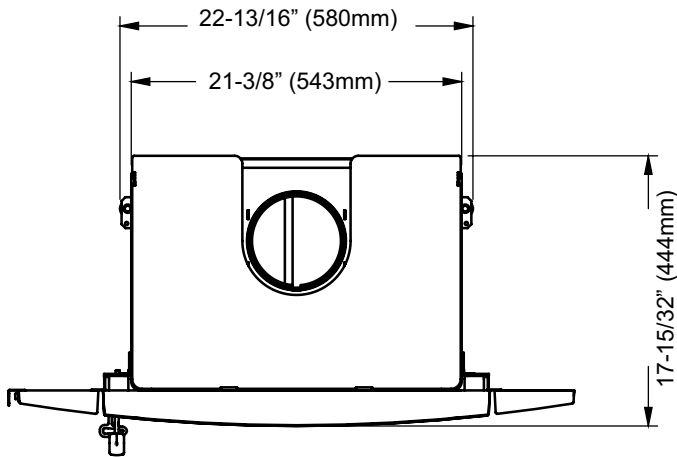
Serial No./ No de série

367

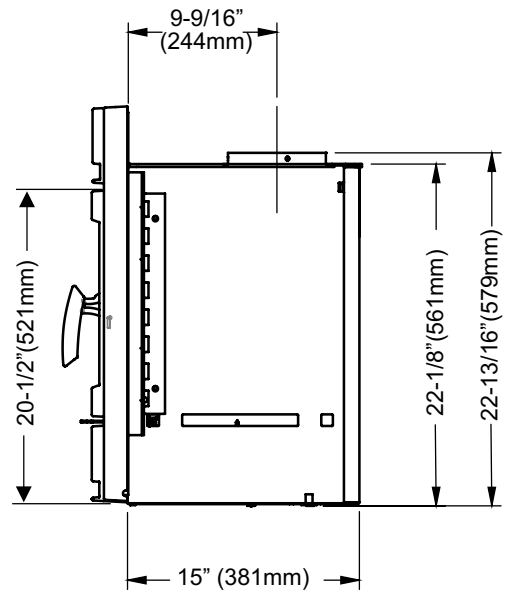
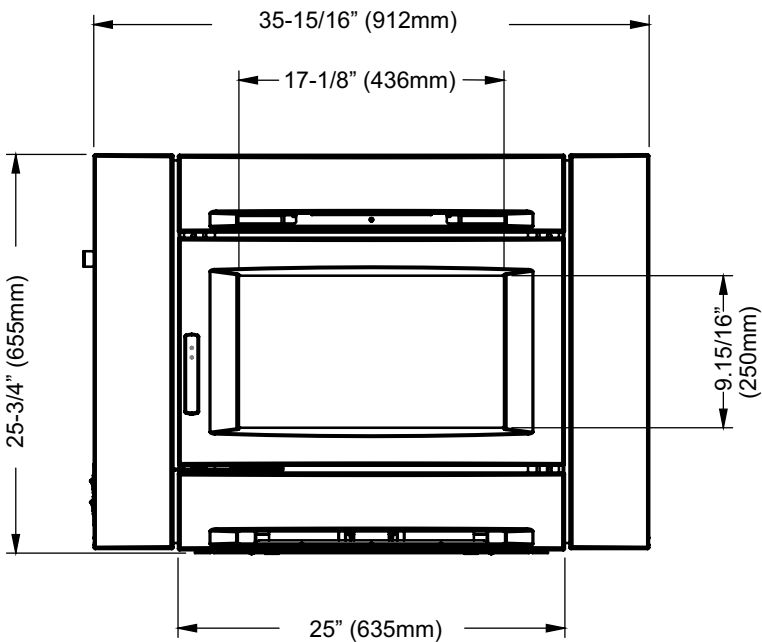
---

DATE OF MANUFACTURE	2021	2022	2023	2024	2025	JAN	FEB	MAR	APR	MAY	JUN	JUL	AUG	SEPT	OCT	NOV	DEC
	<input type="radio"/>	<input type="radio"/>	<input type="radio"/>	<input type="radio"/>	<input type="radio"/>	<input type="checkbox"/>	<input type="checkbox"/>	<input type="checkbox"/>	<input type="checkbox"/>	<input type="checkbox"/>	<input type="checkbox"/>	<input type="checkbox"/>	<input type="checkbox"/>	<input type="checkbox"/>	<input type="checkbox"/>	<input type="checkbox"/>	<input type="checkbox"/>

**UNIT DIMENSIONS CI1250  
(WITH STANDARD BLOWER)**

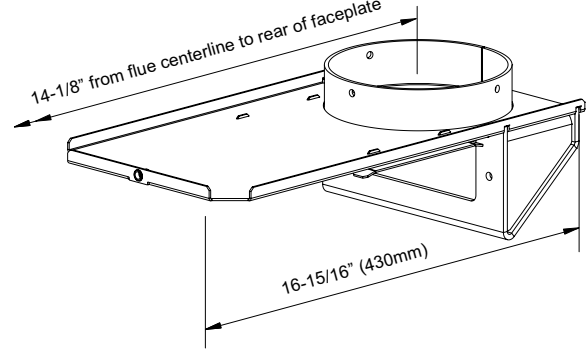
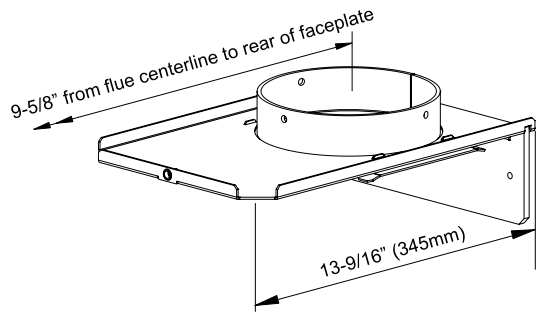


**NOTE:**  
Before assembling your Insert, use these dimensions to ensure appropriate clearances will be met (refer to Masonry and Factory Built Fireplace Clearances section).



6" (152mm) Diameter  
STANDARD FLUE ADAPTOR (171-932)

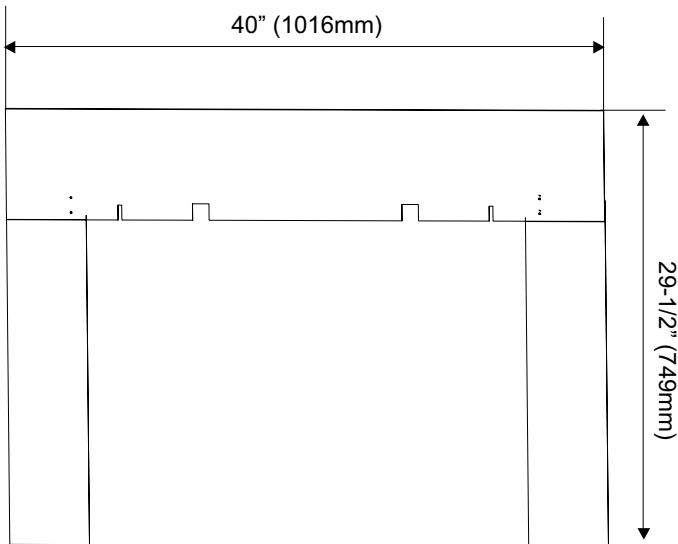
6" (152mm) Diameter  
OFFSET FLUE ADAPTOR (171-936)



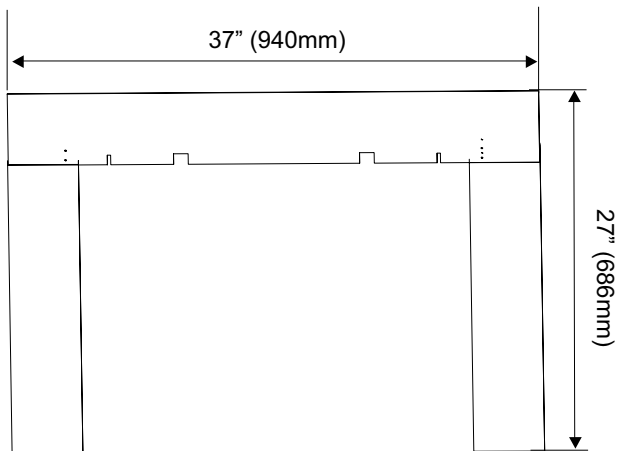
## 6 | dimensions

### OPTIONAL BACKING PLATE DIMENSIONS

**CI1250 Standard**



**CI1250 Custom - Minimum Dimensions**



Regency Inserts are constructed with the highest quality materials and assembled under strict quality control procedures that ensure years of trouble free and reliable performance.

It is important that you read this manual thoroughly and fully understand the installation and operating procedures. Failure to follow instructions may result in property damage, bodily injury or even death. The more you understand the way your Regency Insert operates, the more enjoyment you will experience from knowing that your unit is operating at peak performance.

## BEFORE INSTALLING YOUR INSERT

1) Read all instructions before installing and using your fireplace insert. Install and use only in accordance with manufacturer's installation and operating instructions.

2) **Check your local building codes - Building Inspection Department. You may require a permit before installing your insert. Be aware that local codes and regulations may override some items in the manual.**

**WARNING: Careless installation is the major cause of safety hazard. Check all local building and safety codes before installation of unit.**

3) Notify your home insurance company that you plan to install a fireplace insert.

4) Your fireplace insert is heavy and requires two or more people to move it safely. The insert and surrounding structure can be badly damaged by mishandling.

5) If your existing fireplace damper control will become inaccessible once you have installed your Regency Insert, you should either remove or secure it in the open position.

6) Inspect your fireplace and chimney prior to installing your insert to determine that it is free from cracks, loose mortar or other signs of damage. If repairs are required, they should be completed before installing your insert. Do not remove bricks or mortar from your masonry fireplace.

7) Do not connect the insert to a chimney flue servicing another appliance or an air distribution duct.

## CHIMNEY SPECIFICATIONS

Before installing, check and clean your chimney system thoroughly. If in doubt about its condition, seek professional advice. Your Regency Insert is designed for installation into a masonry fireplace that is constructed in accordance with the requirements of "The Standard for Chimneys, Fireplaces, Vents, and Solid Fuel Burning Appliance", N.F.P.A. 211, the National Building Code of Canada, or the applicable local code requirements.

The appliance, when installed, must be electrically grounded in accordance with local codes or, in the absence of local codes, with the National Electrical Code, ANSI/NFPA 70, or the Canadian Electrical code, CSA C22.1.

Regency Inserts are designed to use either a 5.5" or 6" (152mm) flue.

This insert must be connected to a code-approved masonry chimney or listed factory-built fireplace chimney with a direct flue connector into the first chimney liner section.

### Requirements for Installing Solid-fuel Inserts in Factory-built Fireplaces.

1) The insert must be tested and meet the requirements of UL 1482 (U.S.) and or ULC S628 (Canada) when tested in a masonry fireplace built per ULC S628.

2) The factory-built fireplace must be listed per UL 127 or ULC S610.

3) Clearances obtained from the masonry fireplace tests are also relevant for installation in factory-built fireplaces.

4) Installation must include a full height listed chimney liner type HT requirements (2100 degree F.) per UL 1777 (U.S.) or ULC S635 (Canada). The liner must be securely attached to the insert flue collar and the chimney top.

5) Means must be provided to prevent room air passage to the chimney cavity of the fireplace. This may be accomplished by sealing the damper area around the chimney liner, or sealing the fireplace front.

6) Alteration of the fireplace in any manner is not permitted with the following exceptions;

a. external trim pieces which do not affect the operation of the fireplace may be removed providing they can be stored on or within the fireplace for re-assembly if the insert is removed.

b. the chimney damper may be removed to install the chimney liner.

7) Circulating air chambers (i.e. in a steel fireplace liner or metal heat circulator) shall not be blocked.

8) Means must be provided for removal of the insert to clean the chimney flue.

9) Inserts that project in front of the fireplace must be supplied with appropriate supporting means.

10) Installer must mechanically attach the supplied label to the inside of the firebox of the fireplace into which the insert is installed.

**"WARNING:** This fireplace has been converted for use with a wood insert only and cannot be used for burning wood or solid fuels unless all original parts have been replaced, and the fireplace re-approved by the authority having jurisdiction."

## FIREPLACE SPECIFICATIONS

Your fireplace opening requires the following minimum sizes:

<b>C11250</b>	
Height:	23" (584mm)
Width:	25" (635mm)
Depth:	
(w/ standard flue adaptor)	15-1/16" (383mm)
(w/ offset flue adaptor)	17-11/16" (449mm)

### Important:

The blower to this appliance must be turned off anytime the fuel door is opened. Prior to turning the blower back on, ensure there are no embers near the blower which may have fallen onto the hearth when the fuel door was opened. Once the fuel door is closed, the blower may be turned back on.



# 8 | installation

## MASONRY AND FACTORY BUILT FIREPLACE CLEARANCES

The minimum required clearances to combustible materials when installed into a masonry or factory built fireplace are listed below.

	Adjacent Side Wall (to Side) **A	Mantel** (to Top) B	Top Facing (to Top) **C	Side Facing (to Side) **D	Minimum Hearth Extension E	Minimum Hearth Thickness* F	Minimum Hearth Side Extension G	From Top of Door H
CI 1250	15" (381mm)	20" (508mm)	14" (356mm)	7-3/8" (187mm)	US 16" (406mm)	1-1/2" (38mm)	US 6" (152mm)	20-1/2" (521mm)
					CAN 18" (457mm)		CAN 8" (203mm)	
** Measured from side/top of door.								

Side and Top facing is a maximum of 1.5" thick. Floor protection must be non-combustible, insulating material with an R value of 1.1 or greater.

\* If the hearth extension is flush with the floor (F) it must extend 19.5" in front of the body face (E).

**Note:** Hearth Extension Width (G) is measured from edge of fuel door to side of hearth.

\*\* A non-combustible mantel may be installed at a lower height if the framing is made of metal studs covered with a non-combustible board.

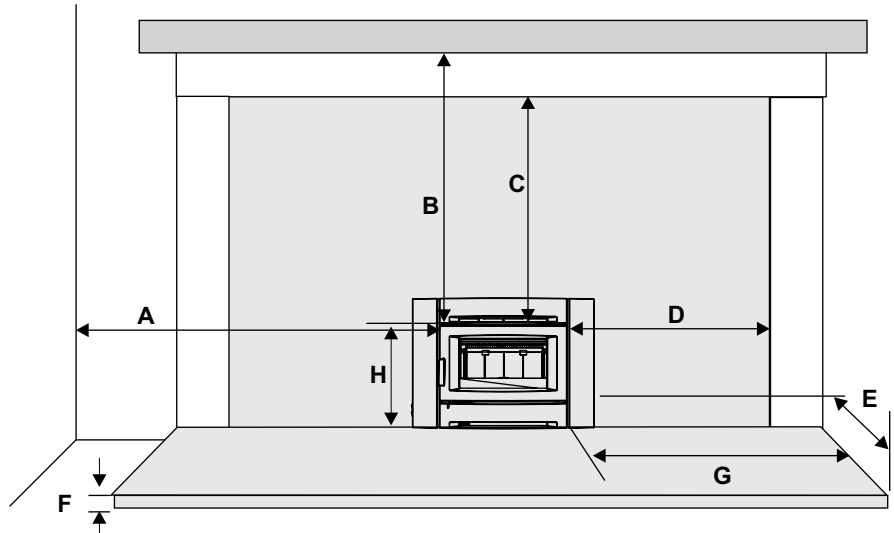
\*\*\* Mantel Depth, Maximum of 10" (254mm).

### Floor Protection

Please check to ensure that your floor protection and hearth will meet the standards for clearance to combustibles. Your hearth extension must be made from a non-combustible material.

Thermal floor protection is not required if the unit is raised 3.5" minimum (measured from the bottom of the stove). However, standard ember floor protection is required. It will need to be non-combustible material that covers 16" (406mm) in the US and 18" (450mm) in Canada to the front of the unit and 8" (200mm) in Canada, 6" (152mm) in the US to the sides.

If the unit is not raised, thermal floor protection required is R value of 1.1 or greater.



Clearance diagram for installations

## HOW TO DETERMINE IF ALTERNATE FLOOR PROTECTION MATERIALS ARE ACCEPTABLE

The specified floor protector should be 3/8" (18mm) thick material with a K - factor of 0.84.

The proposed alternative is 4" (100mm) brick with a C-factor of 1.25 over 1/8" (3mm) mineral board with a K-factor of 0.29.

### Step (a):

Use formula above to convert specification to R-value.  
 $R = 1/k \times T = 1/0.84 \times .75 = 0.893.$

### Step (b):

Calculate R of proposed system.  
 4" brick of C = 1.25, therefore  
 $R_{brick} = 1/C = 1/1.25 = 0.80$   
 1/8" mineral board of k=0.29, therefore  
 $R_{min.bd.} = 1/0.29 \times 0.125 = 0.431$   
 Total R =  $R_{brick} + R_{mineral\ board} = 0.8 + 0.431 = 1.231.$

### Step (c):

Compare proposed system R of 1.231 to specified R of 0.893. Since proposed system R is greater than required, the system is acceptable.

### DEFINITIONS

#### Thermal Conductance:

$$C = \frac{\text{Btu}}{(\text{hr})(\text{ft}^2)(^\circ\text{F})} = \frac{W}{(\text{m}^2)(\text{K})}$$

#### Thermal Conductivity:

$$k = \frac{(\text{Btu})(\text{inch})}{(\text{hr})(\text{ft}^3)(^\circ\text{F})} = \frac{W}{(\text{m})(\text{K})} = \frac{\text{Btu}}{(\text{hr})(\text{ft})(^\circ\text{F})}$$

#### Thermal Resistance:

$$R = \frac{(\text{ft}^2)(\text{hr})(^\circ\text{F})}{\text{Btu}} = \frac{(\text{m}^2)(\text{K})}{W}$$



## INSTALLING YOUR INSERT

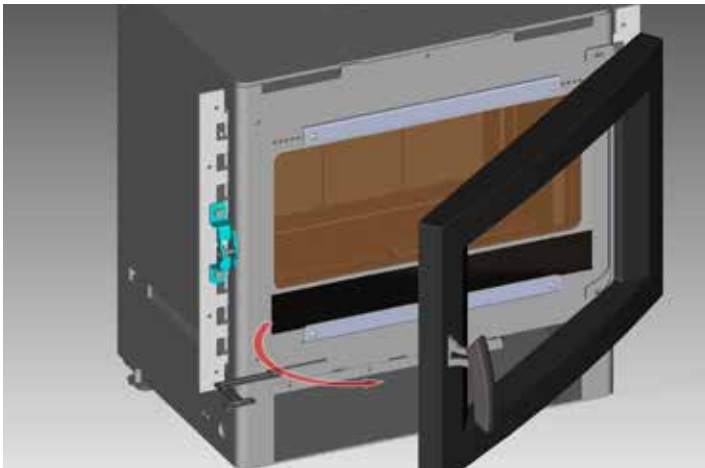
**STOP! PLEASE READ CAREFULLY.**  
**CAST COMPONENTS ARE VERY FRAGILE.**  
**USE EXTREME CARE WHEN HANDLING.**

Your insert is very heavy and will require two or three people to move it into position.

**When handling cast parts, please handle with care as they can be damaged.**

- 1) Open door to a 45° angle
- 2) Holding door firmly from top and bottom - lift door up and off to remove.

**NOTE:** Door is heavy.



**NOTE:** For Masonry installation make sure that the firebox is level with the hearth using non-combustible materials and no more than 1/2 to 1 inch of the levelling bolt.

- 3) Lift the unit up onto the Hearth and slide into the fireplace opening. Be sure to leave the unit out at least 3 to 4 inches in order to make the necessary flue connections and to install the fan and faceplate.

**Be sure to protect your hearth extension during the installation, i.e. with a heavy blanket.**

**NOTE:** You will be required to purchase either the standard or offset 6" diameter (152mm) flue adaptor that is best suited for the specific installation.

Regency Inserts are designed to use either a 5.5" or 6" (152mm) flue.

**List of Tools needed;**

- Pull Rod (included with insert)
  - 1/2" socket / ratchet
  - 3/8 open face wrench
- 4) Install flex liner into existing chimney as per liner manufacturer's specifications. See diagram 1.
  - 5) Install the required flue adaptor onto the end of the flex liner. Secure the adaptor using 3 screws - 1 on the front, left and right side as shown in diagram 2.

Alignment of the flue adaptor can be critical during the install, it is recommended that the flex liner be left as compressed as possible. Before inserting the unit the adaptor should hang, when level, slightly above the required height.



Diagram 1 *Flex Liner*

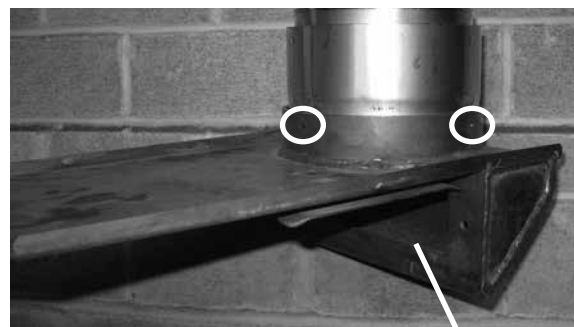


Diagram 2 *Flue Adaptor*

*Secure adaptor using 3 screws - 1 in the front and 1 each on the left and right side.*

# 10 | installation

- 6) Install the unit by first setting the rear of the unit into the fireplace. See diagram 3. Ensure that the unit is centered in the existing fireplace and lined up with the flue adaptor.

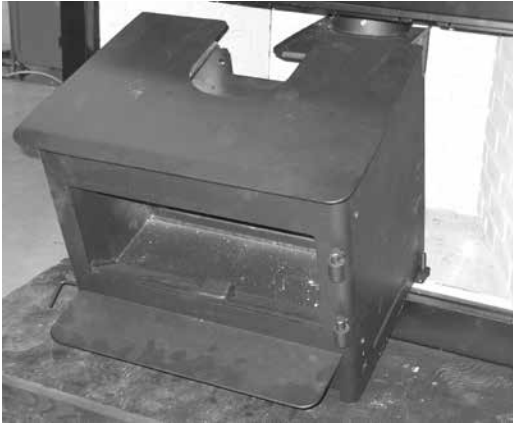


Diagram 3

- 7) Slide the unit back until the flue adaptor is slightly engaged.
- 8) At this point it is recommended to level the unit and ensure that the leveling bolts rest on the surface of the fireplace. This will keep the adaptor from binding as the unit is slid into position.
- 9) Insert the provided pull rod through the hole in the top center of the unit. Secure the threaded end into the flue adaptor as shown in diagram 4. While sliding the unit into place. Pull on the rod to ensure that the flue adaptor is properly engaged. See diagram 5.

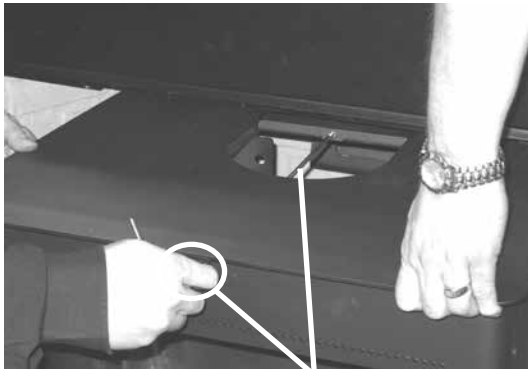


Diagram 4 Pull Rod

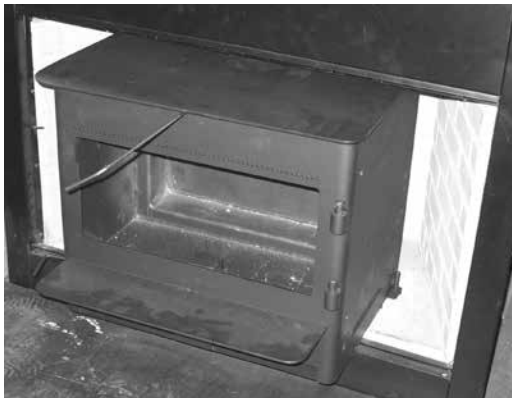


Diagram 5: Pull Rod In Place

- 10) Ensure that the unit is still level.

- 11) To complete the installation and to ensure a secure fit and connection of the flue adaptor to the insert, it is essential that the two bolts, flat washers and lock washers (supplied with packaged manual) be installed and tightened using a 1/2" socket as shown in diagram 6. This prevents the possibility of creosote drip and exhaust gas leakage.

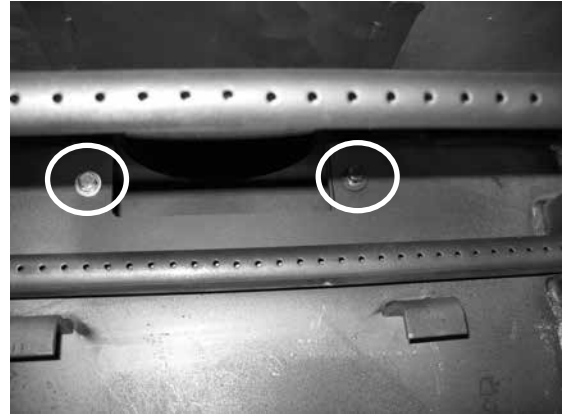


Diagram 6

- 12) Remove the pull rod from the top center of the fireplace. See diagram 7.



Pull Rod Diagram 7

**NOTE: The pull rod should not be thrown away. It should be kept if the stove is ever needed to be removed from the fireplace.**

## INSTALLATION INTO A MASONRY FIREPLACE

When referencing installation or connection to masonry fireplaces or chimneys, the masonry construction must or shall be code complying.

The insert must be installed as per the requirements of your local inspection authority. Three methods of flue connection are acceptable in most areas, these include:

- 1) Positive flue connection, where a large blocking plate and a short connector pipe is used.
- 2) Direct flue connection, where a smaller blocking plate and a connector pipe to the first flue liner tile is used.
- 3) Full flue liner, where a stainless steel rigid or flexible liner pipe is routed from the insert outlet collar to the top of the chimney.

Regency highly recommends the use of a full liner as the safest installation and provides the most optimum performance. Your retailer should be able to help you decide which system would be the best for your application.

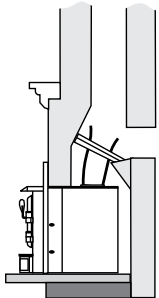
In Canada this fireplace insert must be installed with a continuous chimney liner of 5.5" or 6" diameter extending from the fireplace insert to the top of the chimney. The chimney liner must conform to the Class 3 requirements of CAN/ULC-S635 or CAN/ULC-S640, Standard for Lining Systems for New Masonry Chimneys.

**Note: A clean-out door is sometimes required, by your inspector, to be installed when either the Positive flue connection or Direct flue connection method is used.**

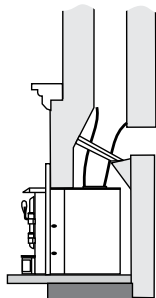
The use of one of the connection methods listed on this page not only increases the safety of your insert by directing the hot gases up the flue, but will also help increase the unit's efficiency and decrease creosote deposits in the chimney.

When a connected flue or liner is in use, the insert is able to "breathe" better by allowing a greater draft to be created. The greater draft can decrease problems such as, difficult start-ups, smoking out the door, and dirty glass.

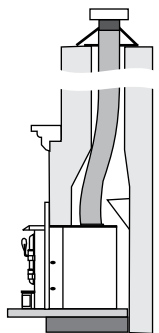
## INSTALLATION INTO A FACTORY BUILT FIREPLACE



1) Positive Flue Connection with Cleanout



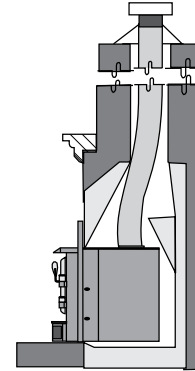
2) Direct Flue Connection with Cleanout



3a) Full Flue Liner (No Cleanout Required)

- 1) When installed in a factory built fireplace, a full stainless steel rigid or flexible flue liner is mandatory, for both safety and performance purposes. When a flue or liner is in use, the insert is able to breathe better by allowing a greater draft to be created. The greater draft can decrease problems such as, difficult start-ups, smoking out the door, and dirty glass.
- 2) In order to position the flue liner, the existing rain cap must be removed from your chimney system. In most cases the flue damper should also be removed to allow passage of the liner.
- 3) In most cases opening the existing spark screens fully should give enough room for the insert installation. If it does not, remove and store.

- 4) If the floor of your fireplace is below the level of the fireplace opening, adjust the insert's levelling bolts to accommodate the difference. When additional shimming is required, use non-combustible masonry or steel shims.
- 5) Measure approximately the alignment of the flue liner with the position of the smoke outlet hole on the insert to check for possible offset. If an offset is required, use the appropriate offset adaptor in your installation.



- 6) Once the above items have been checked, slide your insert into position after first positioning and securing the flue liner to the offset adaptor.

Attach the rod to the adaptor and slide the adaptor onto the unit as the unit is slid into position. Ensure a positive connection.

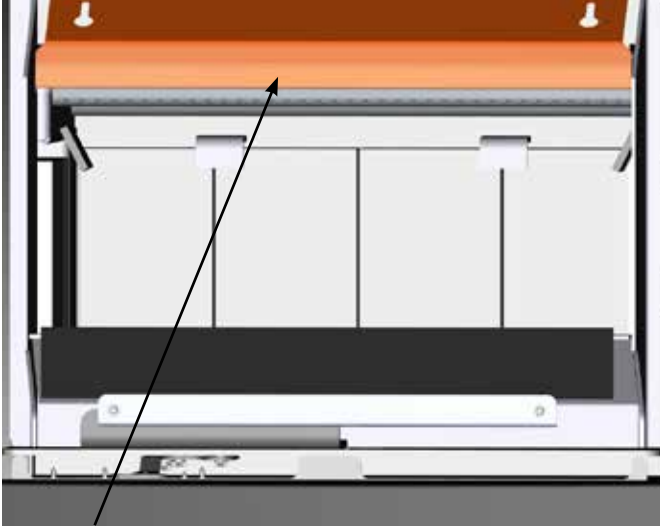
Secure the adaptor to the unit by using 2 bolts, flat washers, lock washers and one screw in the front.

Re-install raincap at completion of installation.

Draft is the force which moves air from the appliance up through the chimney. The amount of draft in your chimney depends on the length of the chimney, local geography, nearby obstructions and other factors. Too much draft may cause excessive temperatures in the appliance and may cause damage. An uncontrollable burn or excessive temperature indicates excessive draft. Inadequate draft may cause back puffing into the room and plugging of the chimney. Inadequate draft will cause the appliance to leak smoke into the room through appliance and chimney connector joints. Ensure the heater is installed in areas that are not too close to neighbors or in valleys that would cause unhealthy air quality or nuisance conditions.

## STAINLESS STEEL SMOKE DEFLECTOR INSTALLATION

The stainless smoke deflector is located in the upper front area of the firebox. The deflector is held in place with 2 bolts. Prior to the first fire, ensure deflector is seated properly and secured with 2 hand tightened bolts.



Smoke deflector

*Smoke deflector is installed through the door opening in location shown in diagram*



*Ensure deflector is seated so bolts are situated at the top of the keyhole before tightening.*

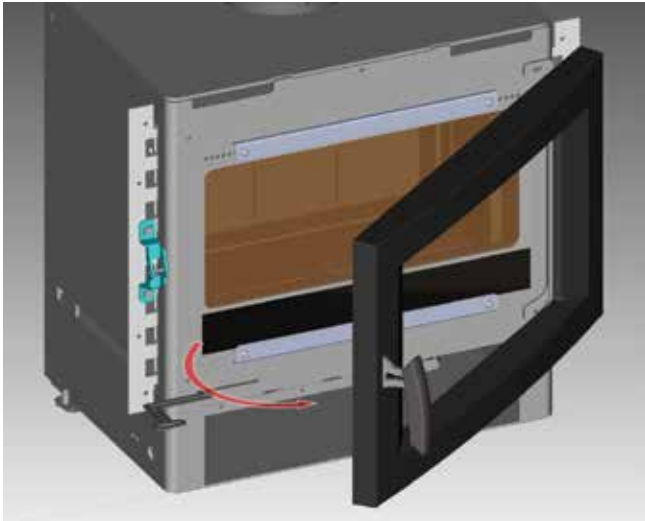
To replace the deflector, loosen off both bolts and slide deflector upward and out. Install new deflector and hand tighten bolts. Ensure positive location of the deflector prior to hand tightening.

**WARNING:** Operation of the unit with out proper installation of smoke deflector will void warranty.

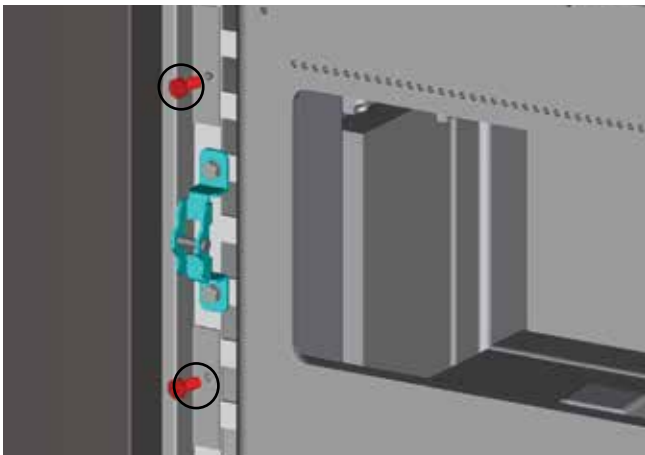
## CAST FACEPLATE INSTALLATION

**Stop! Read Carefully.**  
**Cast components are very fragile. Use extreme care when handling.**

- 1) Open the door to about 45°- then remove it from the hinge by lifting up and out. Put door to the side on a soft surface.  
**Note:** Door is heavy.

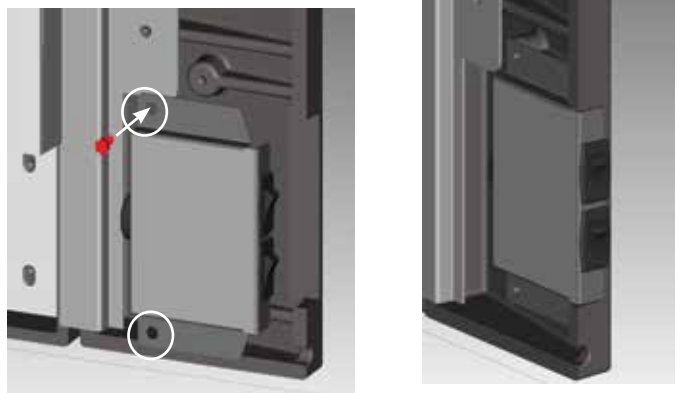


- 2) Remove two bolts from the bracket on the unit as shown below. Line up the left side casting bracket with the left side bracket on the unit.

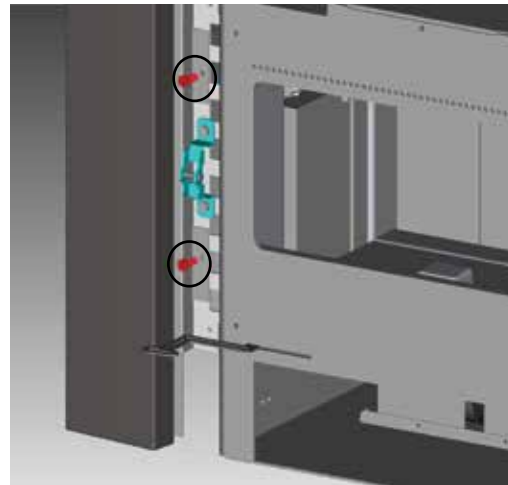


- 3) Install fan controls into left surround with 2 screws as shown below.

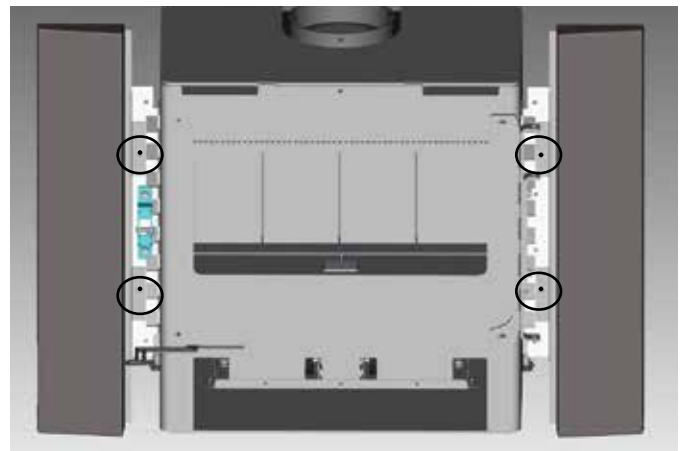
**Note:** Left side faceplate (when facing unit) will have a notch on the side as shown below. The extension cord should also be brought out to the side prior to installation.



- 4) Secure the left cast surround with the two bolts removed in Step 2.

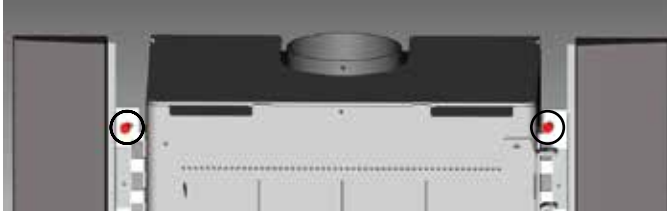


- 5) Repeat Steps 2 and 4 to install right cast surround.



## 14 | installation

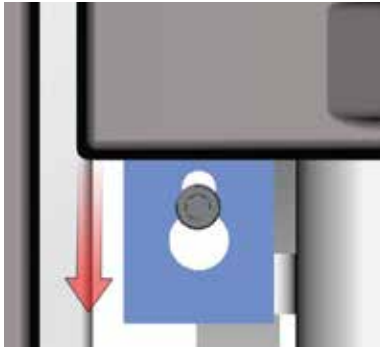
- 7) Loosen the two (2) top screws (with 3/16" allen key) on the left and right brackets on the unit as shown below.



- 8) Slide the upper cast surround keyhole brackets over the loosened screws from Step 7.



- 9) Slide the upper cast surround down over the screws until it is level and in line with the side cast pieces.



- 10) Tighten both screws once all three cast pieces are level.



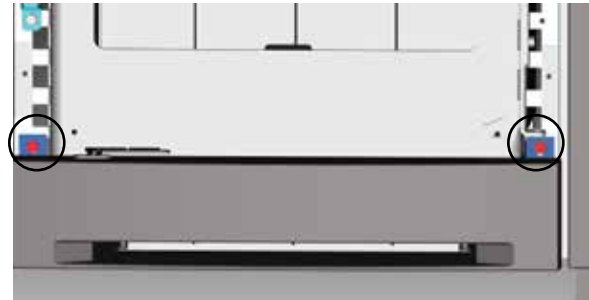
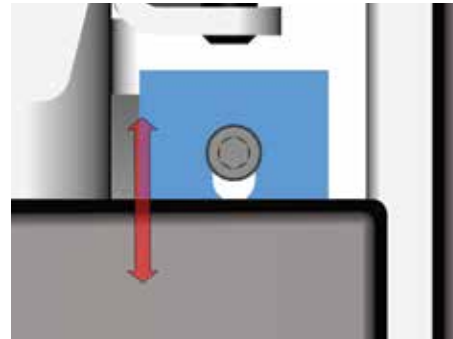
- 11) Remove the two (2) bolts from the lower part of the brackets on the unit - see diagram below.

- 12) **CI1250 only** - Move the damper control lever to the right so it is out of the way.

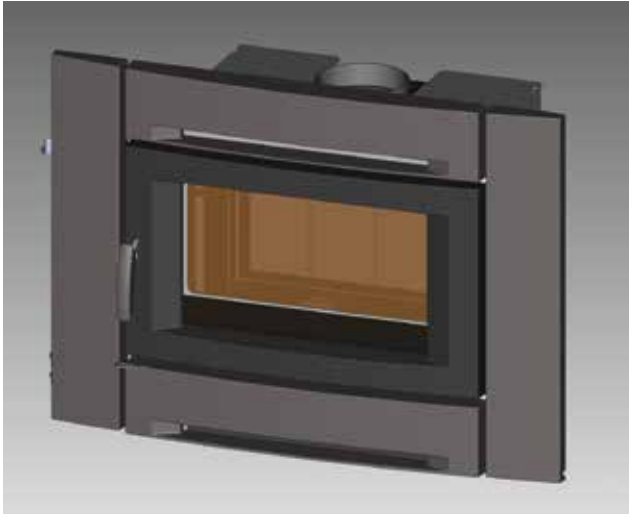
**Note:** If the fan power cord needs to be re-routed to the right side of the unit - go to step 16, before installing the lower cast surround piece.

- 13) Line up the brackets on the lower cast surround piece with the lower holes in the bracket on the unit. Replace two (2) screws - removed in step 9.

- 14) Before tightening screws - adjust the position of the lower cast surround, until it is level - by sliding the brackets up or down. When in final and level position, tighten both screws.



15) Reinstall door.



16) The fan cord can be re-routed to the right side of the unit if necessary. Before installing the lower cast surround - run the cord between the left cast surround and the unit. Then run the cord along the lower part of the lower cast surround and out in between the right cast and the unit.



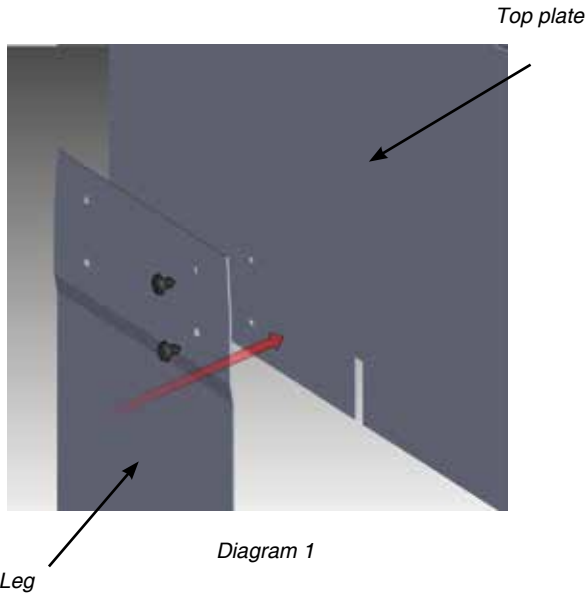
17) With the cord re-routed, follow steps 13-15 to complete the installation.



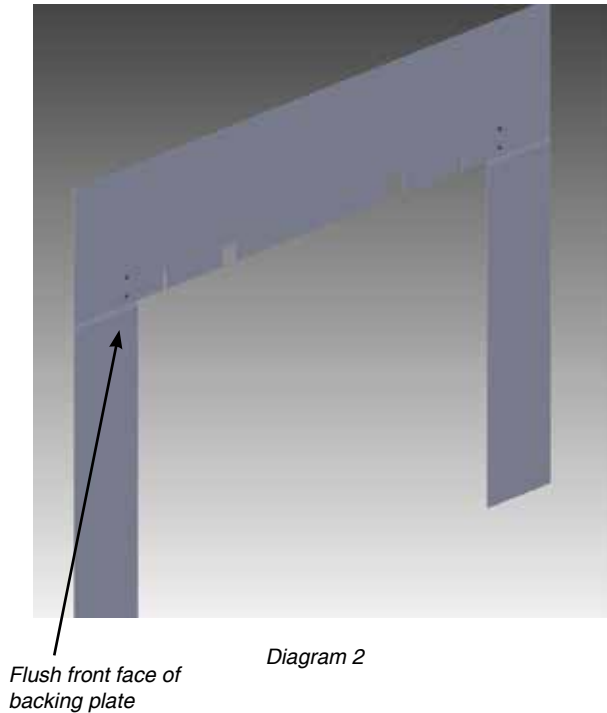
### 3 PIECE BACKING PLATE INSTALLATION

An optional backing plate is available in either a standard or custom size.

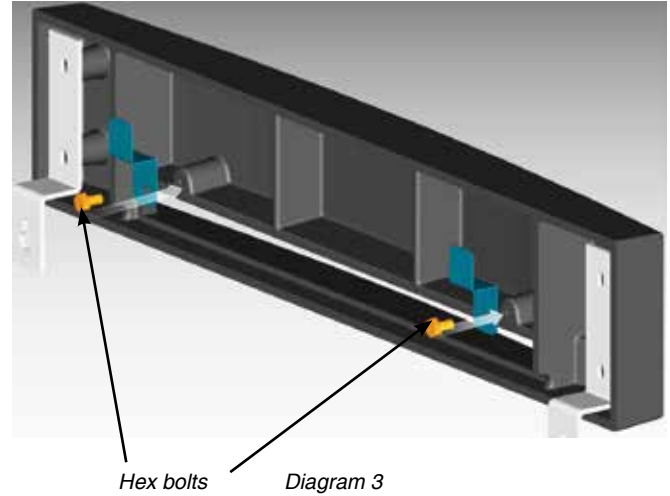
- 1) The backing plate is packaged in three pieces and requires assembly. The legs of the backing plate are attached to the top plate with 2 screws on each side. See diagram 1 below.



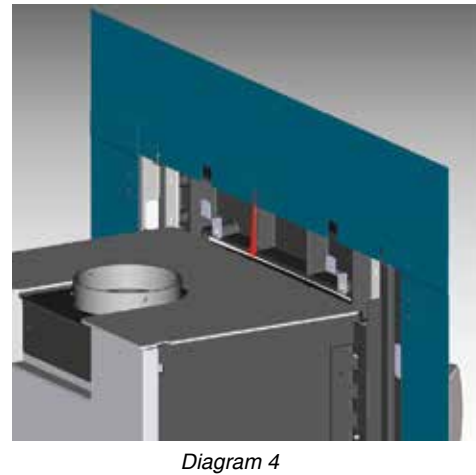
- 2) The pointed end of the screws should be facing the front of the backing plate.



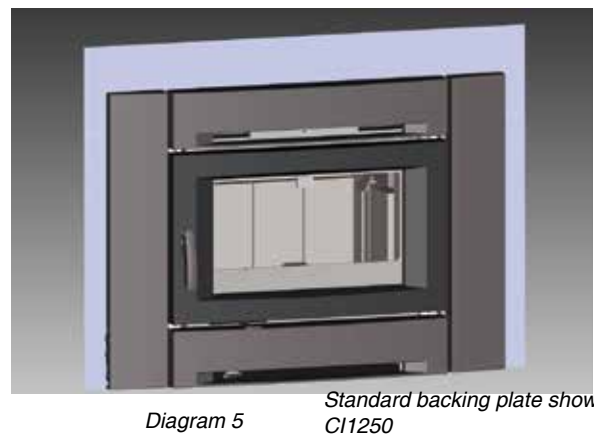
- 3) Install 2 clips to the back of the top cast faceplate with hex bolts. If the unit is already installed - remove the top cast faceplate from the unit if access is too difficult - see 'Cast Faceplate Installation' in the owners manual for instructions.



- 4) Slide the backing plate over the clips on the back of the cast top. There are notches in the backing plate where it sits on the clips. If the stove is installed - slide it out at least 6" to install the backing plate.



- 5) Slide stove back into position after backing plate is installed.

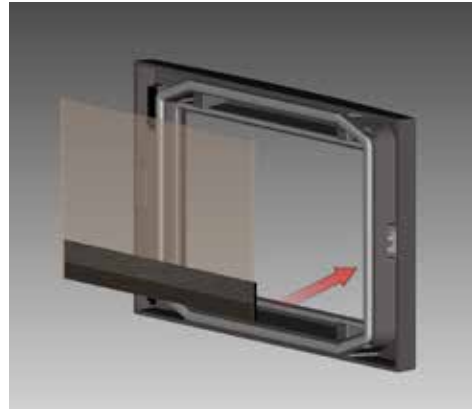


## DOOR REVERSAL

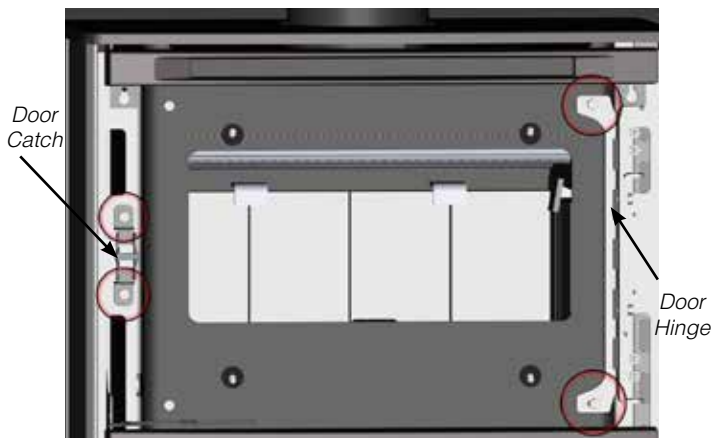
- 1) The door can be reversed - so that it will open to the left. Make sure stove has cooled to room temperature. Open the door to about 45° - then remove it from the hinge by lifting up and out. Note: Door is heavy.



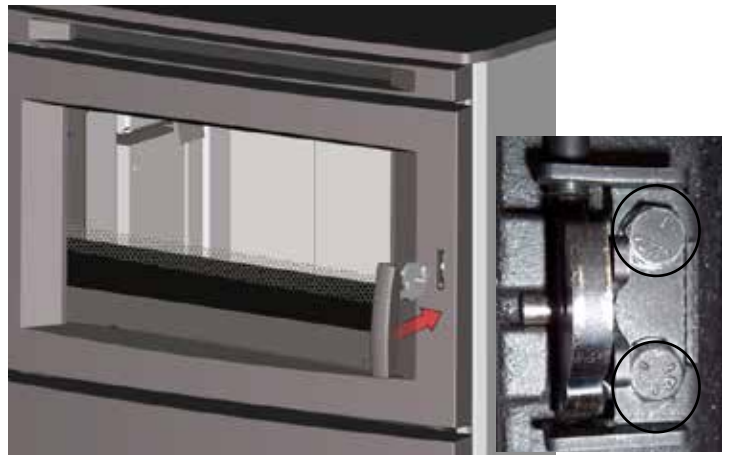
- 6) Remove the glass from the door and flip it around 180° - so the painted strip is at the bottom of the door.



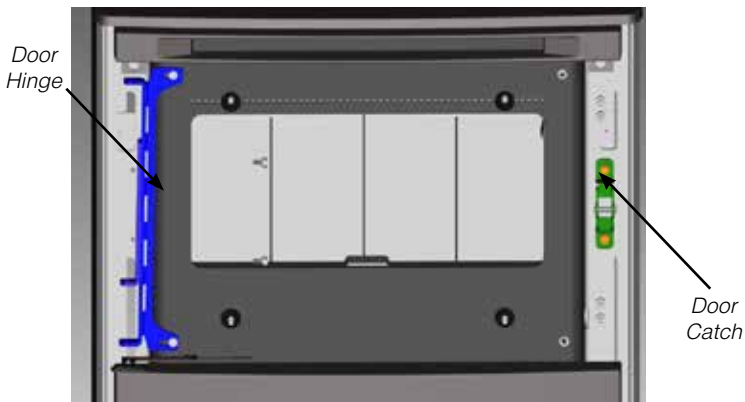
- 2) Remove the 2 bolts securing the door hinge to the unit.  
**Note:** Once hinge is removed - reinstall the bolts and ensure they are tight to prevent air leakage.
- 3) Remove the 2 bolts securing the door catch assembly to the unit.



- 7) Flip the handle around 180° and reattach to the door with 2 bolts.



- 4) Flip the door hinge 180° - install on the left side of the unit with 2 bolts.
- 5) Reattach the door catch assembly on the right side with 2 bolts from step 3.



- 8) Remove door pins (2) from back side of door by removing 4 bolts. Reinstall on other side of door by rotating 180° and reinstalling door pins.

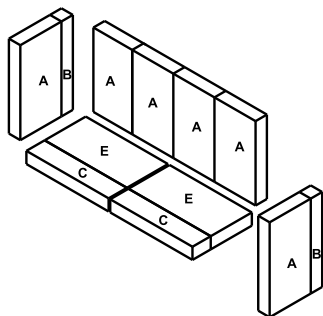


- 9) Reattach the door to the door hinge.

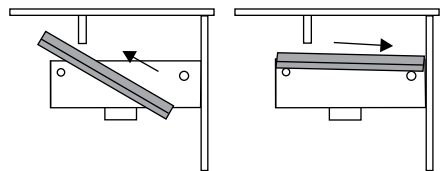


### BRICK FLUE BAFFLE & SECONDARY AIR TUBE INSTALLATION

The flue baffle system located in the upper area of the firebox is removable to make cleaning your chimney system easier. The brick baffles must be installed prior to your first fire. **Smoke spillage and draft problems may occur if the baffles are improperly positioned.** Check the position of the brick baffles on a regular basis as they can be dislodged if too much fuel is forced into the firebox.

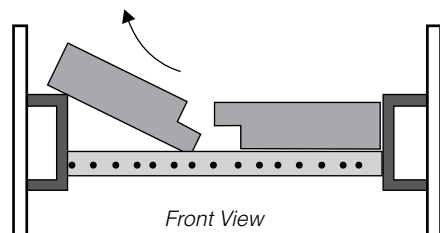


- 1) If the two air tubes are installed continue on to Step 2), if not, follow the instructions below. Install the air tube into the holes in the side channels. The notch goes on the right hand side with the air holes facing toward the door. Slide the tube into the left hand side, as far as possible and then bring it back into the hole on the right hand side until it locks into position. If the tube will not slide in easily simply use a pair of vise grips or pliers and tap it into place with a hammer. A tighter fit will ensure the tube will not move when the unit is burning.
- 2) Slide the left baffle brick over the front air tube and then slide it back over the rear air tube.



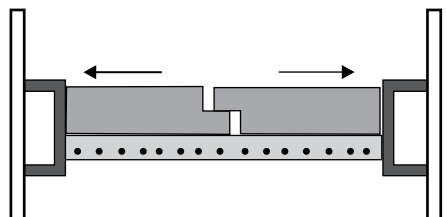
Side View

- 3) Tilt the left baffle brick up on top of the side channel and it will leave enough room to position the right baffle brick in the same manner as Step 1) above. Then reposition the left baffle brick flat on the air tube.



Front View

- 4) **Important: push both baffle bricks so they are tight against the side walls and to the back.**



Front View

**Note: When getting the chimney cleaned, remove the baffle bricks for access to the flue, then replace them when cleaning is completed.**

### FIREBRICK ASSEMBLY

Firebrick is included to extend the life of your insert and radiate heat more evenly. Check to see that all firebricks are in their correct positions and have not become misaligned during shipping.

### DRAFT CONTROL

Before establishing your first fire, it is important that you fully understand the operation of draft control.



Left - Open      Right - Closed

The draft control rod is on the left side of the Insert and it controls the intensity of the fire by increasing or decreasing the amount of air allowed into the firebox. To increase the draft, slide the rod to the left and to decrease the draft, slide the rod to the right.

As well as a primary and glass wash air system, the unit has a full secondary draft system that allows air to the induction ports at the top of the firebox, just below the flue baffle.

## SEASONED WOOD

Whether you burn wood in a fireplace, stove or insert, good quality firewood is the key to convenience, efficiency and safety. Wet wood and pieces that are not the right size and shape for your wood burner can be frustrating, burn inefficiently and deposit creosote that can fuel a dangerous chimney fire. Good planning, seasoning and storage of the firewood supply are essential to successful wood burning.

- Stack the wood in separate rows in an open location where the summer sun can warm it and breezes can carry away the moisture. Do not stack unseasoned wood tightly in an unvented storage area.
- Do not allow firewood to lie on the ground for more than a couple of days before stacking. Mould and rot can set in quickly.
- Stack the wood up off the ground on poles, lumber rails or pallets.
- The top of the pile can be covered to keep off rain, but do not cover the sides.

Softer woods like pine, spruce and poplar/aspen that is cut, split and stacked properly in the early spring maybe be ready for burning in the fall. Extremely hard woods like oak and maple, and large pieces of firewood, may take a minimum of a full year to dry enough. Drying may also take longer in damp climates

There are a few ways to tell if wood is dry enough to burn efficiently. Use as many indicators as possible to judge the dryness of the firewood your are considering. Here are ways to judge firewood moisture.

- Using a moisture meter, select the species of fuel and then penetrate the pins into a split piece. Ideal moisture and seasoned firewood should be less than 20% moisture content.
- Checks or cracks in the end grain can be an indication of dryness, but may not be a reliable indicator. Some wet wood has checks and some dry wood has no checks.
- The wood tends to darken from white or cream colour to grey or yellow as it dries.
- Two dry pieces banged together sound hollow; wet pieces sound solid and dull.
- Dry wood weighs much less than wet wood.
- Split a piece of wood. If the exposed surface feels damp, the wood is too wet to burn.

**WARNING: To build a fire in ignorance or to disregard the information contained in this section can cause serious permanent damage to the unit and void your warranty.**

### FIRST FIRE

When your installation is completed and inspected, you are ready for your first fire.

- 1) Open draft control fully.
- 2) Open firebox door and build a small fire using paper and dry kindling, wait a few minutes for a good updraft in the flue to establish the fire. Leaving the door slightly open will help your fire start more rapidly.

**CAUTION: Never leave unit unattended if door is left open. This procedure is for fire start-up only, as unit may over-heat if door is left open for too long.**

- 3) With the draft still in the fully open position, add two or three seasoned logs to your fire. Form a trench in the ash bed to allow air to reach the rear of the firebox prior to closing the door.
- 4) After about 15 to 20 minutes, when your wood has begun to burn strongly, adjust your draft control down to keep the fire at a moderate level.

**WARNING: Never build a roaring fire in a cold stove. Always warm your stove up slowly!**

- 5) Once a bed of coals has been established, you may adjust the draft control to a low setting to operate the unit in its most efficient mode.
- 6) During the first couple of hours, keep the combustion rate at a moderate level and avoid a large fire until the paint is cured. Only then can you operate the insert at its maximum setting, and only after the metal has been warmed.
- 7) For the first few hours, the insert will give off an odour from the paint. This is to be expected as the high temperature paint becomes seasoned. Windows and/or doors should be left open to provide adequate ventilation while this temporary condition exists. Burning the insert at a very high temperature the first few times may damage the paint. Burn fires at a moderate level the first few days.
- 8) Do not place anything on the insert top during the curing process. This may result in damage to your paint finish.
- 9) During the first few hours it may be more difficult to start the fire. As you dry out your fire brick and your masonry flue (if applicable), your draft will increase.

10) For those units installed at higher elevations or into sub-standard masonry fireplaces, drafting problems may occur. Consult an experienced dealer or mason on methods of increasing your draft.

11) Some cracking and popping noises may be experienced during the heating up process. These noises will be minimal when your unit reaches temperature.

12) Before opening your door to reload, open draft fully for approximately 10 to 15 seconds until fire has been re-established. This will minimize any smoking.

13) All fuel burning appliances consume oxygen during operation. It is important that you supply a source of fresh air to your unit while burning. A slightly opened window is sufficient for this purpose.

**CAUTION: If the body of your unit starts to glow you are overfiring. Stop loading fuel immediately and close the draft control until the glow has completely subsided.**

14) Green or wet wood is not recommended for your unit. If you must add wet or green fuel, open the draft control fully until all moisture has been dispersed by the intense fire. Once all moisture has been removed, the draft control may be adjusted to maintain the fire.

15) If you have been burning your insert on a low draft, use caution when opening the door. After opening the damper, open the door a crack, and allow the fire to adjust before fully opening the door.

16) The controls of your unit should not be altered to increase firing for any reason.



*How to Light & Maintain a Wood Stove Fire Video*

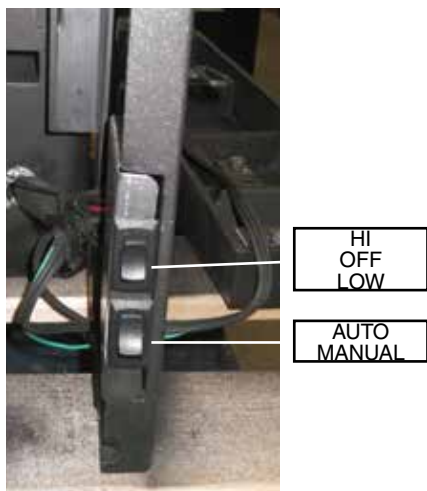
## FAN OPERATION

The fan is to be operated only with the draft control rod pulled out at least 1/2" from the fully closed position. The fan is not to be operated when the draft control rod is in the closed position (pushed in). The fully closed position is the low burn setting.

The fan must not be turned on until a fire has been burning for at least 30 minutes. Also note it is recommended that the fan be turned off before each fuel loading and again wait for 30 minutes before the fan is turned on again. This is to allow the stove to reach its optimum temperature.

To operate fan automatically, push switch on the right side of fan housing to "Auto" and second switch, on the left to either "High" or "Low" for fan speed. The automatic temperature sensor will engage the blower when the unit is at temperature and will shut off the blower once the fire has gone out and the unit has cooled to below a useful heat output range.

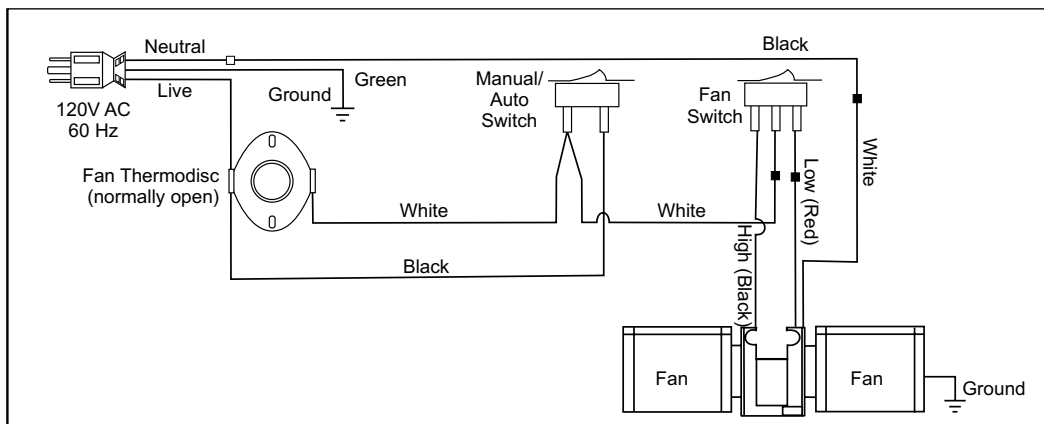
To manually operate the fan system, push the first switch to "Man" and second switch to either "high" or "Low". This will bypass the sensing device and allow full control of the fan. Switching from "Auto" to "Manual" or "High" to "Low" may be done at any time.



## CORD REVERSAL

The fan cord comes out from the left hand side of the unit. If it is necessary to have the cord coming from the right side - follow these steps:

- 1) Remove the lower surround faceplate section - by removing 2 bolts.
- 2) Feed the cord along the bottom of the inside of the casting as shown below.



Fan Wiring Diagram



## ASH DISPOSAL

During constant use, ashes should be removed every few days. Please take care to prevent the build-up of ash around the start-up air housing located inside the firebox.

### DO NOT ALLOW ASHES TO BUILD UP TO THE LOADING DOORS.

Only remove ashes when the fire has died down. Even then, expect to find a few hot embers. Always leave 1 to 2 inches of ash in the bottom of the firebox. This helps in easier starting and a more uniform burn of your fire.

Ashes should be placed in a metal container with a tight fitting lid. The closed container of ashes should be placed on a noncombustible floor or on the ground, well away from all combustible materials, pending final disposal. If the ashes are disposed of by burial in soil or otherwise locally dispersed, they should be retained in the closed container until all cinders have thoroughly cooled. Other waste should not be placed in the ash container.

## SOME SAFETY GUIDELINES

- 1) Never use gasoline, gasoline type lantern fuels, kerosene, charcoal lighter fuel, or similar liquids or chemicals to start or 'freshen up' a fire in your insert. Keep all such liquids well away from the heater while it is in use.
- 2) Never use alternate fuels such as charcoal that have the possibility of generating carbon monoxide.
- 3) Keep the door closed during operation and maintain all seals in good condition.
- 4) Do not burn large quantities of paper in your insert.
- 5) Do not burn garbage or flammable fluids.
- 6) If you have smoke detectors, prevent smoke spillage as this may set off a false alarm.
- 7) **Do not overfire your insert.** Attempts to achieve heat output rates that exceed heater design specifications can result in permanent damage to the heater. If the insert or its flue baffle begin to glow, you are overfiring. Stop adding fuel and close the draft control.

Overfiring can cause extensive damage to your stove including warpage and premature steel corrosion. Overfiring will void your warranty.

- 8) Do not permit creosote or soot buildup in the chimney system. Check and clean chimney at regular intervals.
- 9) Your Regency Insert can be very hot. You may be seriously burned if you touch the insert while it is operating. Warn children of the burn hazard. Keep furniture and clothing away.
- 10) The insert consumes air while operating, provide adequate ventilation with an air duct or open a window while the insert is in use.
- 11) Do not use grates, irons or other methods for supporting fuel. Burn directly on the bricks.
- 12) Open the draft control fully for 10 to 15 seconds prior to slowly opening the door when refuelling the fire.
- 13) Do not connect your unit to any air distribution duct.
- 14) Your insert should burn dry, standard firewood only. The use of "mill ends" is discouraged as this fuel can easily overheat your insert. Evidence of excessive overheating will void your warranty. As well, a large portion of sawmill waste is chemically treated lumber, which is illegal to burn in many areas. Chemically treated fire logs also must not be burned in your insert.
- 15) Do not store any fuel closer than 2 feet from your unit.
- 16) Do not burn salt drift wood as it will corrode your unit and void the warranty.
- 17) Do not strike or slam the glass door shut as this may cause the glass to break.
- 18) Do not operate the unit if the glass is broken or missing. Do not operate the unit if the gasketing is worn out and not sealing the door or the glass.

It is very important to carefully maintain your insert, including burning seasoned wood and maintaining a clean stove and chimney system. Have the chimney cleaned before the burning season and as necessary during the season, as creosote deposits may build up rapidly. Moving parts of your insert require no lubrication.

## CREOSOTE

When wood is burned slowly, it produces tar and other organic vapors, which form creosote when combined with moisture. The creosote vapors condense in the relatively cool chimney flue of a slow-burning fire. As a result, creosote residue accumulates on the flue lining. When ignited, this creosote can make an extremely hot fire.

### Removal for Cleaning etc.

Removal of your insert for cleaning purposes is usually not required if a proper installation has been done. In the event that removal is required, be sure not to damage any parts needed for re-installation. In most cases removal and replacement of the baffle system should allow full access for cleaning.

### WARNING: Things to remember in case of chimney fire:

- 1) Close draft control
- 2) Call the Fire Department

### Ways to Prevent and Keep Unit Free of Creosote

- 1) Burn insert with draft control wide open for about 15 minutes every morning during burning season. This helps to prevent creosote deposits within the heating system.
- 2) Burn insert with draft control wide open for about 10 - 15 minutes every time you add fresh wood. This allows the wood to achieve the charcoal stage faster and burns up any wood vapors which might otherwise be deposited within the system.
- 3) **Only burn seasoned wood!** Avoid burning wet or green wood. Seasoned wood has been dried at least one year.
- 4) A small hot fire is preferable to a large smouldering one that can deposit creosote within the system.
- 5) Check the chimney at least twice a month during the burning season for creosote build-up.
- 6) Have chimney system and unit cleaned by competent chimney sweeps twice a year during the first year of use and at least once a year thereafter or when needed.



## DOOR GASKET

If the door gasket requires replacement, 7/8" diameter material must be used. A proper high temperature gasket adhesive is required. A gasket repair kit, Part # 846-570 is available from your local Regency dealer.

## GLASS CLEANING

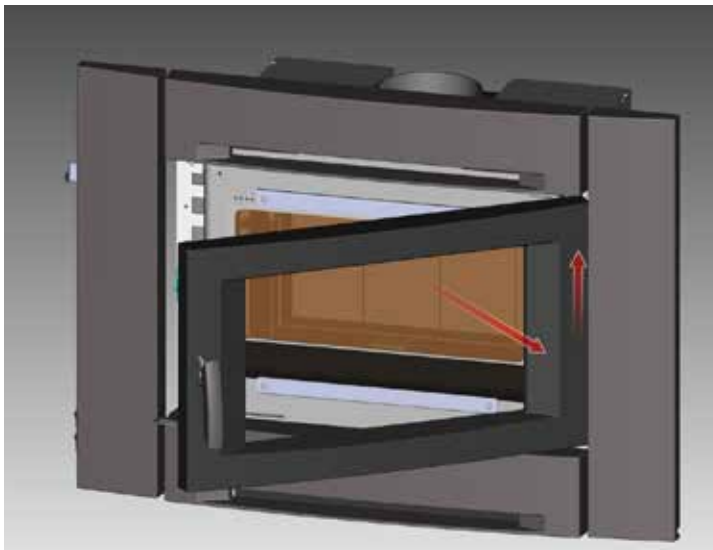
Only clean your glass window when it is cool. Your local retailer can supply you with special glass cleaner if plain water and a soft cloth does not remove all deposits.

## DOOR REMOVAL

**When handling cast parts, please handle with care as they can be damaged.**

- 1) Open door to a 45° angle
- 2) Holding door firmly from top and bottom - lift door up and off to remove.

**Note: Door is heavy.**



### DOOR INSTALLATION NOTE

After re-installing the door, carefully swing open and check the clearance to the Right Hand Cast Side. If tight or rubbing, loosen the 7/16 nuts and adjust the clearance and then re-tighten.

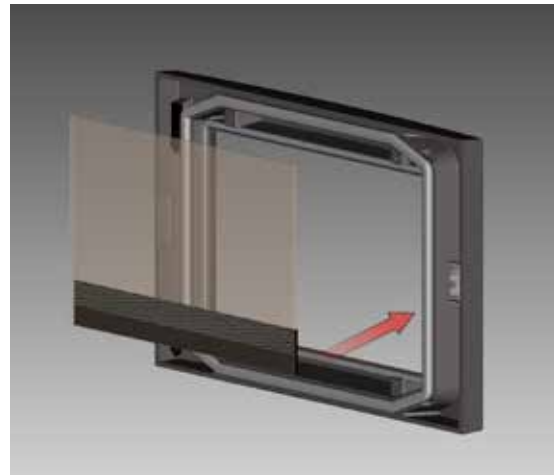


Cleaning & Maintaining a Wood Stove Video

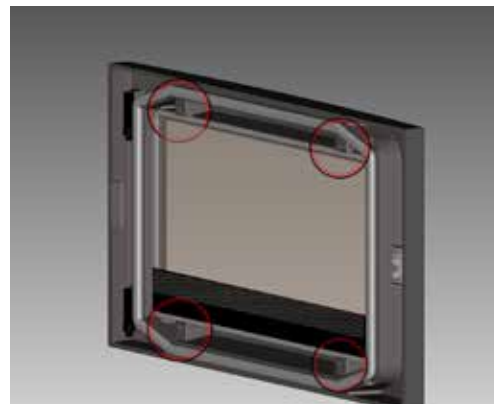
## GLASS REPLACEMENT

Allow the stove to cool before removing or replacing glass. Remove the door from the stove and remove the glass retainer. Use caution when removing broken glass to avoid injury. When placing the replacement glass in the door, make sure that the glass gasketing will properly seal your unit. Replace the retainer, it should rest on the gasket not the glass, and tighten securely with a glass clips and screws. Do not wrench down on the glass as this may cause breakage.

Your Regency Insert is supplied with 5mm Neoceram ceramic glass that will withstand the highest heat that your unit will produce. In the event that you break your glass by impact- purchase replacement glass (940-366/P) from an authorized Regency dealer only. Follow the instructions to replace.



Lower Glass Clip



Glass Clip Screw Locations

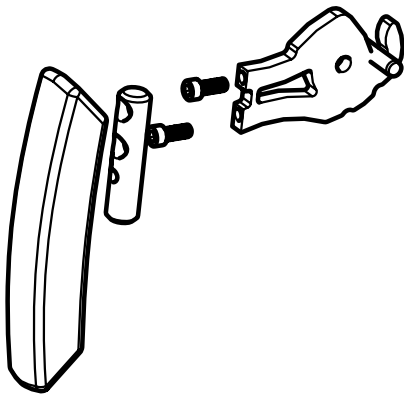
**Avoid impact on glass doors such as striking or slamming shut.**

### HANDLE REPLACEMENT

- 1) Remove handle by undoing the hex head bolt using a 7/16" socket wrench.
- 2) Fit new door handle over door latch and secure.

Assemble handle by:

- a) Placing lock washer and split lock washer over hex head bolt.
- b) Place hex head bolt into handle.
- c) Place spacer over hex head bolt threads.
- d) Screw handle into door latch.



### FAN MAINTENANCE

#### TO REMOVE THE FAN

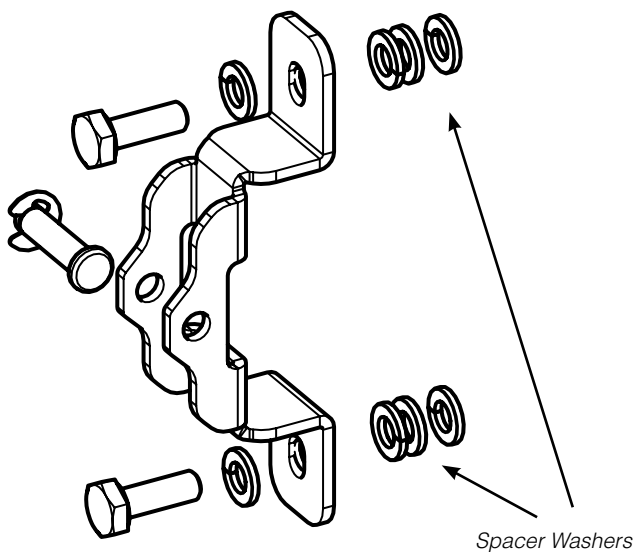
- 1) See next page.

**Maintenance:** The sealed bearings are lubricated, there is no need to lubricate them further. (Extra lubricant will cause more lint and dust buildup - causing the bearings to prematurely fail). Regular cleaning and vacuuming of the fan area will add to the life of the motor.

**IMPORTANT:** These fans collect a lot of dust from within your home. Ensure you maintain these fan motors on a regular basis by vacuuming the fan blades and housing using a soft brush nozzle.

### DOOR CATCH ADJUSTMENT

The door catch may require adjustment as the door gasket material compresses after a few fires. Removal of the spacer washer, shown in the diagram below, will allow the catch to be moved closer to the door frame, causing a tighter seal. Remove and replace the nuts, washer and spacer as shown.

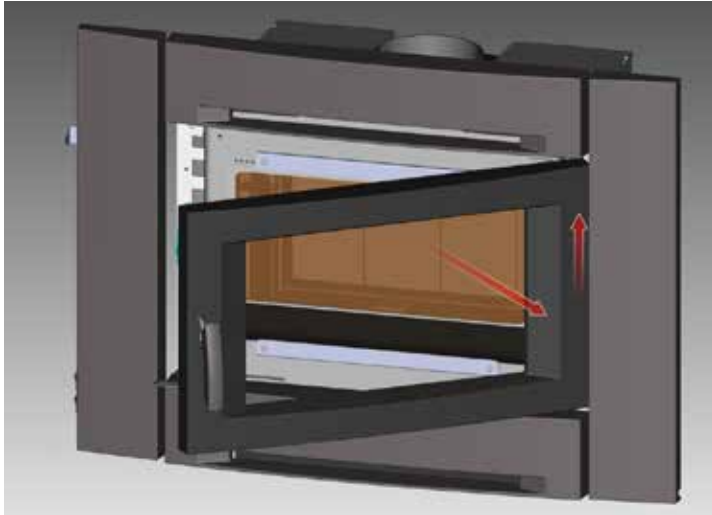


Cleaning & Maintaining a Wood Stove Video

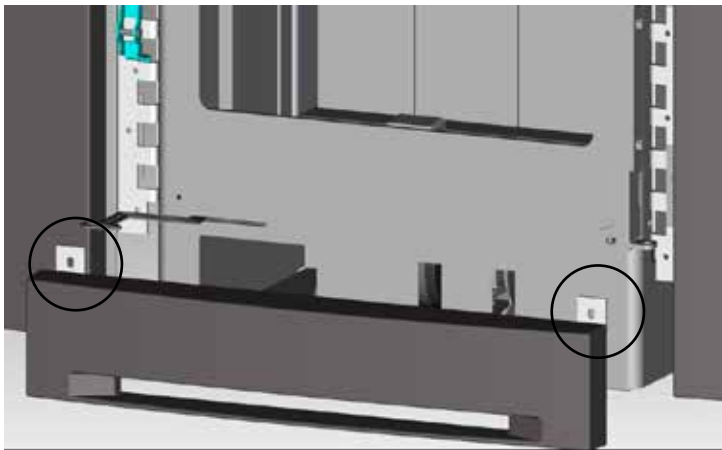
## FAN REMOVAL

Prior to removing fan, disconnect / unplug power source to fan

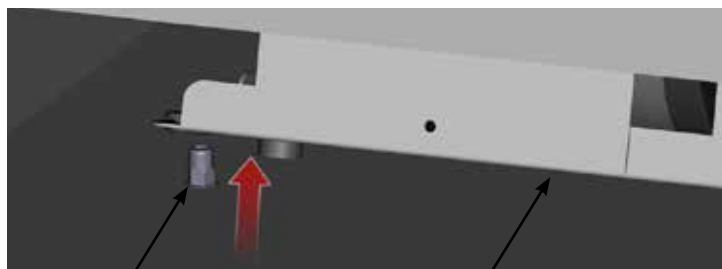
- 1) Open door to a 45° angle
- 2) Holding door firmly from top and bottom - lift door up and off to remove.  
**Note:** Door is heavy.



- 3) Remove two (2) screws (with 3/16" Allen Key) to remove lower cast surround - set aside on a soft surface.



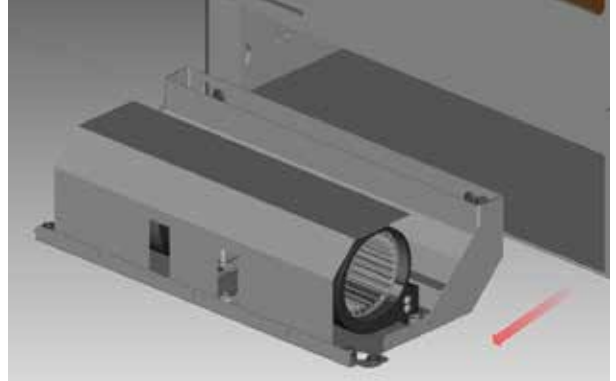
- 4) Lift fan housing up off pins on floor of unit.



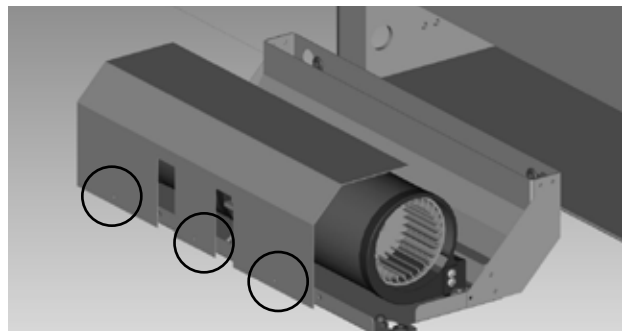
Pins on Unit Floor

Fan Housing

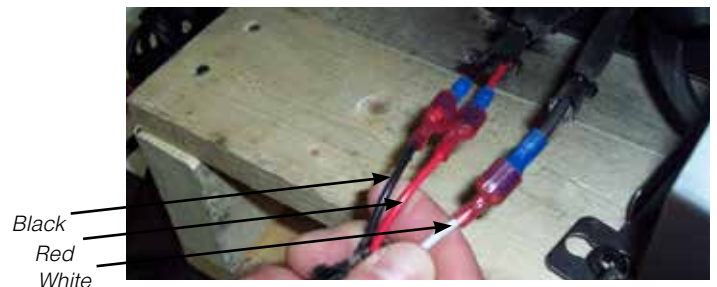
- 5) Remove fan from unit.



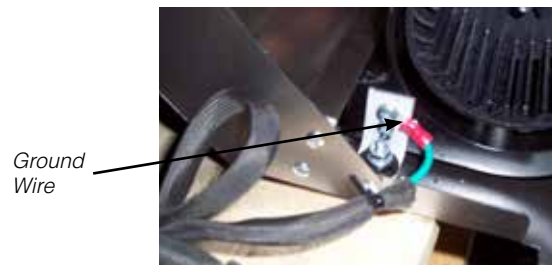
- 6) Remove 3 screws to remove fan heat shield.



- 7) Slide back the protect sheath on the wiring - disconnect the black, red and white wires.



- 8) Disconnect the ground wire located on the left side of the fan housing.



- 9) To install fan - reverse Steps 8-1.

Annual Maintenance	
Completely clean out entire unit	Annually
Inspect air tubes, baffles and bricks	Replace any damaged parts.
Adjust door catch / latch	If unable to obtain a tight seal on the door - replace door gasket seal. Readjust latch after new gasket installed.
Paper Test	Test the seal on the loading door with a paper bill. Place a paper bill in the gasketed area of the door on a cold stove—close the door. Try to remove the paper by pulling. The paper should not pull out easily, if it does, try adjusting the door latch, if that doesn't solve the problem replace the door gasket.
Inspect condition and seal of: Glass Gasket Door Gasket	Perform paper test - replace gasket if required
Check and lubricate door hinge + latch	Use only high temperature anti seize lube. (ie. Never Seez®)
Check glass for cracks	Replace if required.
Clean blower motor	Disconnect power supply. Remove and clean blower. <b>*DO NOT LUBRICATE*</b>
Inspect and clean chimney	Annual professional chimney cleaning recommended.



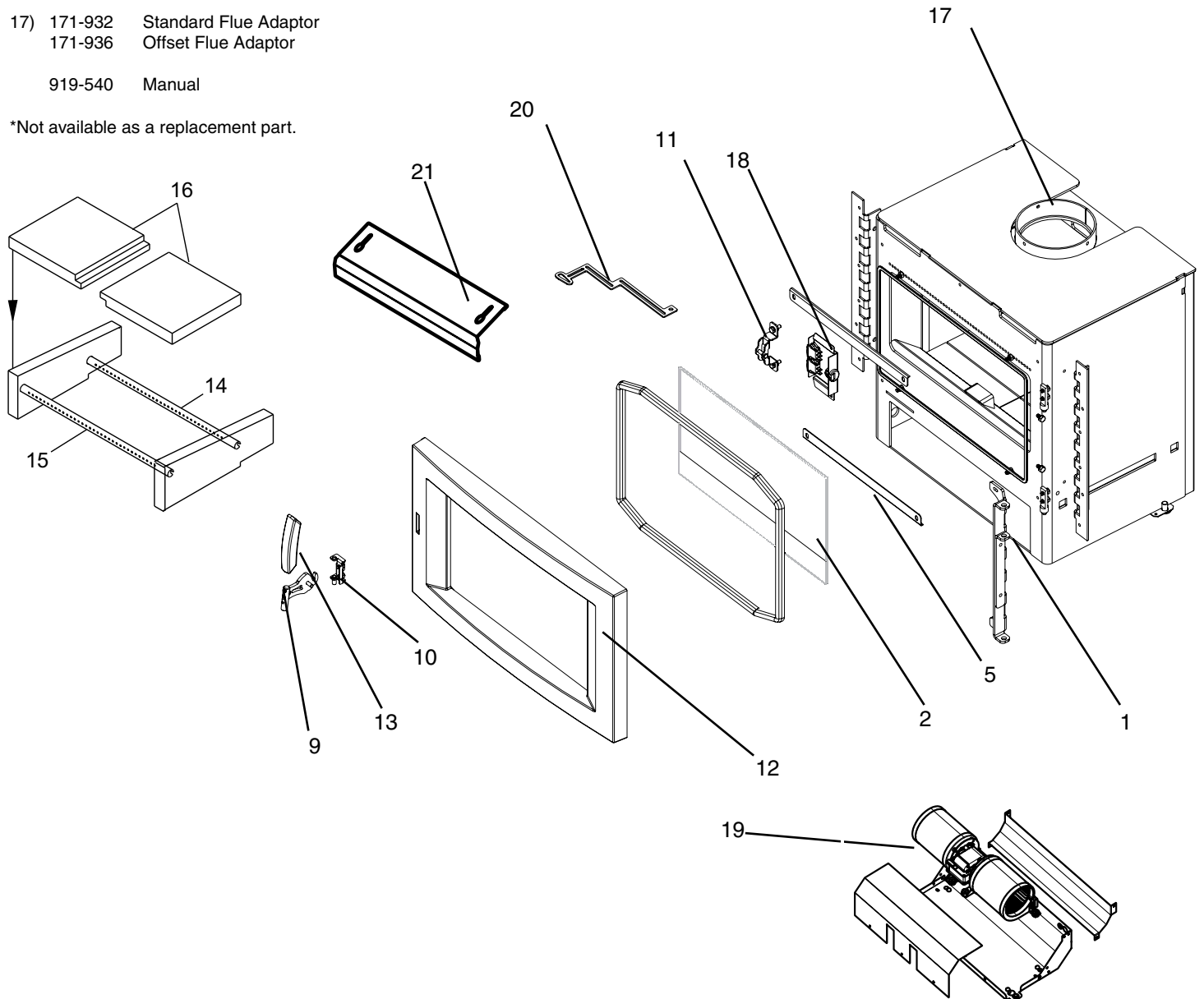
*Cleaning & Maintaining your Wood Stove Video*

**MAIN ASSEMBLY CI1250**

Part #	Description
1)	156-004 Door Hinge
2)	940-366/P Neoceram Glass
3)	948-155 Hinge Pin Lower
4)	936-238 Adhesive Tape Gasket
5)	156-054 Glass Retainer Clips / Screws (set of 2)
6)	* Screws - 10-24 x 3/8"
9)	156-514 Door Handle Assembly
10)	156-515/P Door Aligner Assembly
11)	156-519 Door Catch
12)	156-513 Door Assembly Metallic Black (no glass)
	846-570 Med. Density Door Gasket Kit
13)	156-241 Cast Handle
14)	074-954 Air Tube - 1" (Qty: 1)
15)	033-953 Air Tube - 3/4" (Qty: 1)
16)	073-955 Baffle (2/set)
17)	171-932 Standard Flue Adaptor
	171-936 Offset Flue Adaptor
	919-540 Manual

18)	910-140 3 way switch
19)	910-157/P Fan Assembly
20)	156-060N Draft plate arm
21)	820-483 Stainless Smoke Deflector
	910-142 Thermodisc

\*Not available as a replacement part.

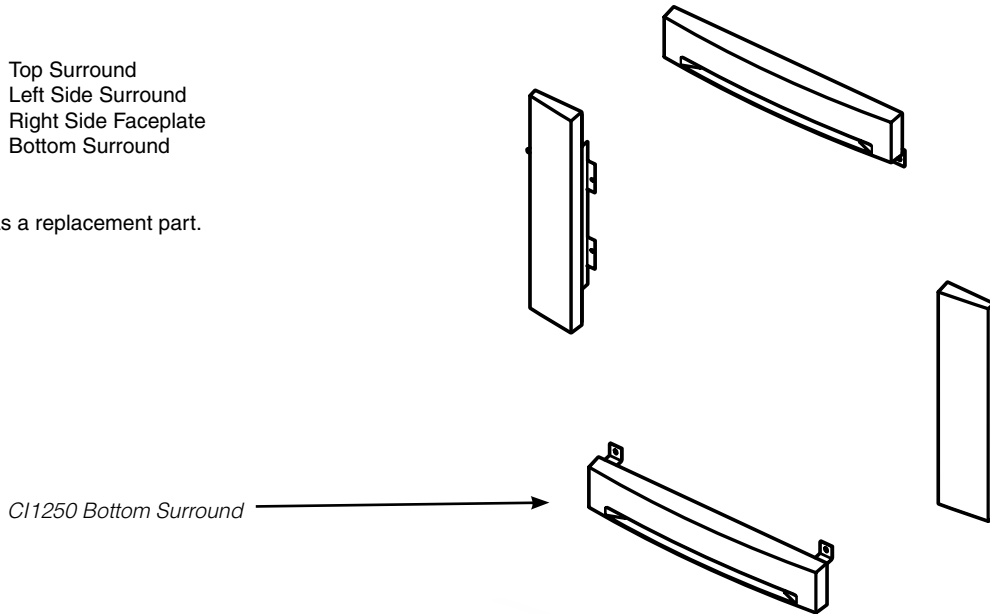


**CAST FACEPLATE**

Part #	Description
156-951	Metallic Black Faceplate CI1250

- 1) \* Top Surround
- 2) \* Left Side Surround
- 3) \* Right Side Faceplate
- 4) \* Bottom Surround

\* Not available as a replacement part.

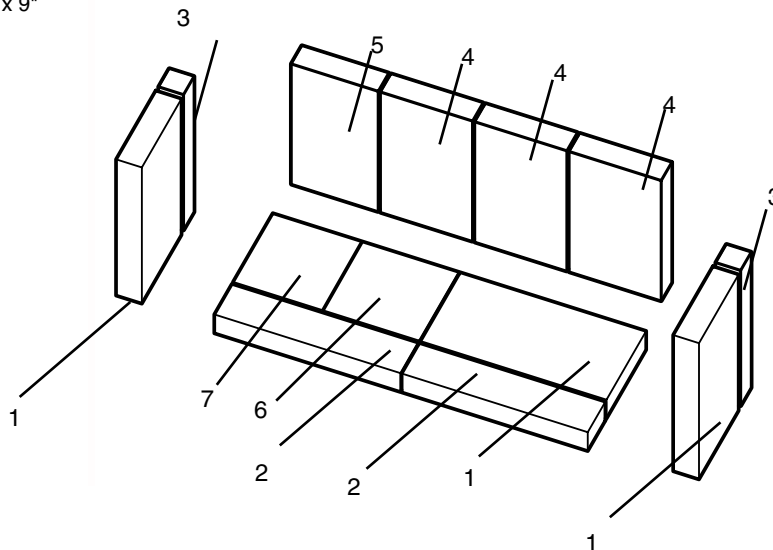


**FIREBRICK**

Part #	Description
156-960	Complete Brick Set

- 1) \* Brick Regular Full Size: 1-1/4" x 4-1/2" x 9"
- 2) \* Brick Partial: 1-1/4" x 2" x 9"
- 3) \* Brick Partial: 1-1/4" x 1-1/4" x 9"
- 4) \* Brick Partial: 1-1/4" x 4-1/2" x 8"
- 5) \* Brick Partial: 1-1/4" x 4-1/4" x 8"
- 6) \* Brick Partial: 1-1/4" x 4-1/2" x 5-1/2"
- 7) \* Brick Partial: 1 1/4" x 3" x 4 1/2"

\*Not available as a replacement part.







**Limited Lifetime Warranty**

FPI Fireplace Products International Ltd. (for Canadian customers) and Fireplace Products U.S., Inc. (for U.S. customers) (collectively referred to herein as “FPI”) extends this Limited Lifetime Warranty to the original purchaser of this appliance provided the product remains in the original place of installation. The items covered by this limited warranty and the period of such coverage is set forth in the table below.

Some conditions apply (see below).

The policy is not transferable, amendable, or negotiable under any circumstances.

Wood Products	Component Coverage					Labor Coverage
	Limited Lifetime	5 years	2 years	1 year	Warranty	(Years)
Welded Firebox Steel	✓					5
All Stainless Steel Components, Smoke Deflectors, Heat Shields etc.	✓					3
Air Tubes	✓					3
Airmate	✓					3
Door handle and latch assembly, all hardware	✓					3
Glass Thermal Breakage Only	✓					3
Steel Faceplates, Accessory Housings	✓					3
All Plating	✓					3
Ash Drawer, Heatshields, Pedestal	✓					
All Baffles, Steel, Ceramic, Vermiculite C-Baffles	✓					
All castings, firebox, surrounds, doors, panels etc.		✓				3
All Electrical, Blower, wiring, switches etc.			✓			2
Glass - Crazing				✓		1
Catalyst Combustor					*10 Years Prorated	
Venting/Chimney				✓		1
Screens				✓		1

\*See specific warranty details in regards to the catalyst combustor in unit manual.

**Conditions:**

Warranty protects against defect in manufacture or FPI factory assembled components only, unless herein specified otherwise.

Any part(s) found to be defective during the warranty period as outlined above will be repaired or replaced at FPI’s option through an accredited distributor, dealer or pre-approved and assigned agent provided that the defective part is returned to the distributor, dealer or agent for inspection if requested by FPI. Alternatively, FPI may at its own discretion fully discharge all of its obligations under the warranty by refunding the verified purchase price of the product to the original purchaser. The purchase price must be confirmed by the original Bill of Sale.

**The authorized selling dealer, or an alternative authorized FPI dealer if pre-approved by FPI, is responsible for all in-field diagnosis and service work related to all warranty claims. FPI is not responsible for results or costs of workmanship of unauthorized FPI dealers or agents in the negligence of their service work.**

At all times FPI reserves the right to inspect reported complaints on location in the field claimed to be defective prior to processing or authorizing of any claim. Failure to allow this upon request will void the warranty.

All warranty claims must be submitted by the dealer servicing the claim, including a copy of the Bill of Sale (proof of purchase by you). All claims must be complete and provide full details as requested by FPI to receive consideration for evaluation. Incomplete claims may be rejected.

Replacement units are limited to one per warranty term. Airtube and baffle replacements are limited to one replacement per term.

Unit must be installed according to all manufacturers' instructions as per the manual.

All Local and National required codes must be met.

The installer is responsible to ensure the unit is operating as designed at the time of installation.

The original purchaser is responsible for annual maintenance of the unit, as outlined in the owner's manual. As outlined below, the warranty may be voided due to problems caused by lack of maintenance.

Repair/replacement parts purchased by the consumer from FPI after the original coverage has expired on the unit will carry a 90 day warranty, valid with a receipt only. Any item shown to be defective will be repaired or replaced at our discretion. No labor coverage is included with these parts.

**Exclusions:**

This Limited Lifetime Warranty does not extend to rust or corrosion of any kind due to: a lack of maintenance or improper venting, lack of combustion air provision, or exposure to corrosive chemicals (i.e. chlorine, salt, air, etc.).

This Limited Lifetime Warranty also does not extend to: paint, firebricks (rear, sides, or bottom), door gasketing, glass gasketing (or any other additional factory fitted gasketing), vermiculite floor bricks, andiron assemblies, and flue damper rods.

Malfunction, damage or performance based issues as a result of environmental conditions, location, chemical damages, downdrafts, installation error, installation by an unqualified installer, incorrect chimney components (including but not limited to cap size or type), operator error, abuse, misuse, use of improper fuels (such as unseasoned cordwood, mill-ends, construction lumber or debris, off-cuts, treated or painted lumber, metal or foil, plastics, garbage, solvents, cardboard, coal or coal products, oil based products, waxed cartons, compressed pre-manufactured logs, kiln dried wood), lack of regular maintenance and upkeep, acts of God, weather related problems from hurricanes, tornados, earthquakes, floods, lightning strikes/bolts or acts of terrorism or war, which result in malfunction of the appliance are not covered under the terms of this Limited Lifetime Warranty.

FPI has no obligation to enhance or modify any unit once manufactured (i.e. as products evolve, field modifications or upgrades will not be performed on existing appliances).

This warranty does not cover dealer travel costs for diagnostic or service work. All labor rates paid to authorized dealers are subsidized, pre-determined rates. Dealers may charge homeowner for travel and additional time beyond their subsidy.

Any unit showing signs of neglect or misuse will not be covered under the terms of this warranty policy and may void this warranty. This includes units with rusted or corroded fireboxes which have not been reported as rusted or corroded within three (3) months of installation/purchase.

Units which show evidence of being operated while damaged, or with problems known to the purchaser and causing further damages will void this warranty.

Units where the serial no. has been altered, deleted, removed or made illegible will void this warranty.

Minor movement, expansion and contraction of the steel is normal and is not covered under the terms of this warranty.

FPI is not liable for the removal or replacement of facings or finishing in order to repair or replace any appliance in the field.

Freight damages for products or parts are not covered under the terms of the warranty.

Products made or provided by other manufacturers and used in conjunction with the FPI appliance without prior authorization from FPI may void this warranty.

**Limitations of Liability:**

The original purchaser’s exclusive remedy under this warranty, and FPI’s sole obligation under this warranty, express or implied, in contract or in tort, shall be limited to replacement, repair, or refund, as outlined above. IN NO EVENT WILL FPI BE LIABLE UNDER THIS WARRANTY FOR ANY INCIDENTAL OR CONSEQUENTIAL COMMERCIAL DAMAGES OR DAMAGES TO PROPERTY. TO THE EXTENT PERMITTED BY APPLICABLE LAW, FPI MAKES NO EXPRESS WARRANTIES OTHER THAN THE WARRANTY SPECIFIED HEREIN. THE DURATION OF ANY IMPLIED WARRANTY IS LIMITED TO DURATION OF THE EXPRESSED WARRANTY SPECIFIED ABOVE. IF IMPLIED WARRANTIES CANNOT BE DISCLAIMED, THEN SUCH WARRANTIES ARE LIMITED IN DURATION TO THE DURATION OF THIS WARRANTY.

Some U.S. states do not allow limitations on how long an implied warranty lasts, or allow exclusion or limitation of incidental or consequential damages, so the above limitations or exclusions may not apply to you.

Customers located outside the U.S. should consult their local, provincial or national legal codes for additional terms which may be applicable to this warranty.

**How to Obtain Warranty Service:**

Customers should contact the authorized selling dealer to obtain all warranty and service. In the event the authorized selling dealer is unable to provide warranty / service, please contact FPI by mail at the address listed on the next page. Please include a brief description of the problem and your address, email and telephone contact information. A representative will contact you to make arrangements for an inspection and/or warranty service, by an alternative dealer.

**Product Registration and Customer Support:**

Thank you for choosing a Regency Fireplace. Regency strives to be a world leader in the design, manufacture, and marketing of hearth products. To provide the best support for your product, we request that you complete a product registration form at <http://www.regency-fire.com/Customer-Care/Warranty-Registration.aspx> within ninety (90) days of purchase.



**Product Registration and Customer Support:**

Thank you for choosing a Regency Fireplace. Regency strives to be a world leader in the design, manufacture, and marketing of hearth products. To provide the best support for your product, we request that you complete a product registration form found on our Web Site under Customer Care within ninety (90) days of purchase.

For purchases made in **CANADA or the UNITED STATES:**

<http://www.regency-fire.com/Customer-Care/Warranty-Registration.aspx>

For purchases made in **AUSTRALIA:**

<http://www.regency-fire.com.au/Customer-Care/Warranty-Registration.aspx>

You may also complete the warranty registration form below to register your Regency Fireplace Product and mail and/or fax it back to us, and we will register the warranty for you. It is important you provide us with all the information below in order for us to serve you better.

**Warranty Registration Form (or Register online immediately at the above Web Site):**

<b>Warranty Details</b>	
Serial Number (required):	
Purchase Date (required) (mm/dd/yyyy):	
<b>Product Details</b>	
Product Model (required):	
<b>Dealer Details</b>	
Dealer Name (required):	
Dealer Address:	
Dealer Phone #:	
Installer:	
Date Installed (mm/dd/yyyy):	
<b>Your Contact Details (required)</b>	
Name:	
Address:	
Phone:	
Email:	

For purchases made in **CANADA:**

**FPI Fireplace Products International Ltd.**  
6988 Venture St.  
Delta, British Columbia  
Canada, V4G 1H4

Phone: 604-946-5155  
Fax: 1-866-393-2806

For purchases made in the **UNITED STATES:**

**Fireplace Products US, Inc.**  
PO Box 2189 PMB 125  
Blaine, WA  
United States, 98231

Phone: 604-946-5155  
Fax: 1-866-393-2806

For purchases made in **AUSTRALIA:**

**Fireplace Products Australia Pty Ltd**  
1- 3 Conquest Way  
Hallam, VIC  
Australia, 3803

Phone: +61 3 9799 7277  
Fax: +61 3 9799 7822

For fireplace care and tips and answers to most common questions please visit our Customer Care section on our Web Site. Please feel free to contact your selling dealer if you have any questions about your Regency product.





***Installer: Please complete the following information***

**Dealer Name & Address:** \_\_\_\_\_

\_\_\_\_\_

**Installer:** \_\_\_\_\_

**Phone #:** \_\_\_\_\_

**Date Installed:** \_\_\_\_\_

**Serial #:** \_\_\_\_\_