



Panorama® P36D Zero Clearance Direct Vent Gas Fireplace

MODELS: P36D-NG10 Natural Gas P36D-LP10 Propane

Owners & Installation Manual



www.regency-fire.com

⚠ WARNING
FIRE OR EXPLOSION HAZARD
Failure to follow safety warnings exactly could result in serious injury, death, or property damage.

- Do not store or use gasoline or other flammable vapors and liquids in the vicinity of this or any other appliance.
- **WHAT TO DO IF YOU SMELL GAS**
 - Do not try to light any appliance.
 - Do not touch any electrical switch: do not use any phone in your building. Leave the building immediately.
 - Immediately call your gas supplier from a neighbour's phone. Follow the gas supplier's instructions.
 - If you cannot reach your gas supplier, call the fire department.

Installation and service must be performed by a qualified installer, service agency or the gas supplier.

Tested by:




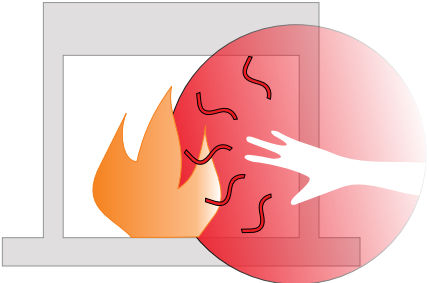
Installer: Please complete the details on the back cover and leave this manual with the homeowner.

Homeowner: Please keep these instructions for future reference.

To the New Owner:

Congratulations!

You are the owner of a state-of-the-art Gas Fireplace by REGENCY® Fireplace Products. The P36D-10 is a hand crafted appliance and has been designed to provide you with all the warmth and charm of a wood fireplace at the flick of a switch. The model P36D-10 has been approved by Intertek for both safety and efficiency. As it also bears our own mark, it promises to provide you with economy, comfort and security for many trouble free years to follow. Please take a moment now to acquaint yourself with these instructions and the many features of your REGENCY® Fireplace.

 <h1 style="margin: 0;">DANGER</h1>	
	<p>HOT GLASS WILL CAUSE BURNS</p> <p>DO NOT TOUCH GLASS UNTIL COOLED</p> <p>NEVER ALLOW CHILDREN TO TOUCH GLASS</p>
<p>A barrier designed to reduce the risk of burns from the hot viewing glass is provided with this appliance and must be installed for the protection of children and other at risk individuals.</p>	
<p>CAUTION: HOT WHILE IN OPERATION. DO NOT TOUCH. SEVERE BURNS MAY RESULT. KEEP CHILDREN, CLOTHING, FURNITURE, GASOLINE, AND ANY OTHER LIQUIDS WITH FLAMMABLE VAPOURS AWAY.</p> <p>KEEP BURNER AND CONTROL COMPARTMENT CLEAN. SEE INSTALLATION AND OPERATING INSTRUCTIONS ACCOMPANYING APPLIANCE.</p>	
<small>920-408</small>	

INFORMATION FOR MOBILE/MANUFACTURED HOMES AFTER FIRST SALE

This REGENCY[®] product has been tested and listed by Intertek to the following standards: ANSI Z21.88 • CSA 2.33 and GAS-FIRED APPLIANCES FOR USE AT HIGH ATLITUDES CSA 2.17.

This Direct Vent System Appliance must be installed in accordance with the manufacturer's installation instructions and the Manufactured Home Construction and Safety Standard, Title 24 CFR, Part 3280, or the current Standard of Fire Safety Criteria for Manufactured Home Installations, Sites, and Communities ANSI/NFPA 501A, and with CAN/CSA Z240-MH Mobile Home Standard in Canada.

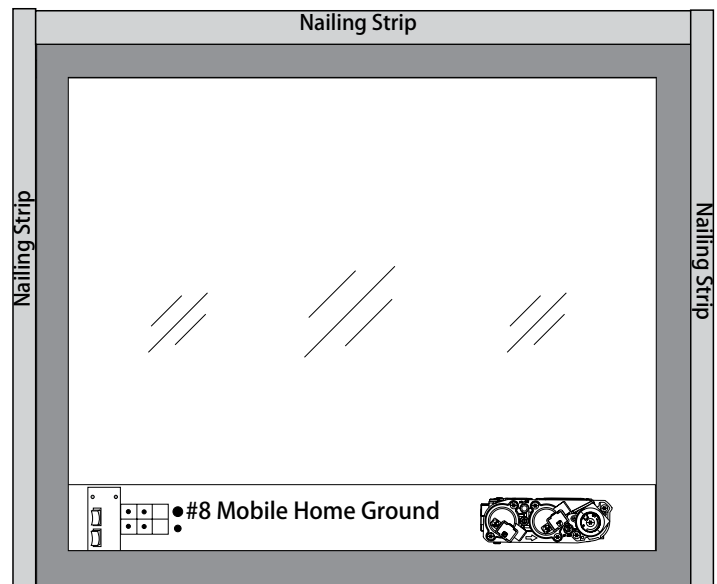
This appliance installation must comply with the manufacturer's installation instructions and local codes, if any. In the absence of local codes follow the current National Fuel Gas Code, ANSI Z223.1 and the current National Electrical Code ANSI/NFPA 70 in the U.S.A., and the current CSA B149.1 Gas Installation Code and the current Canadian Electrical Code CSA C22.1 in Canada.

This FPI Mobile/Manufactured Home Listed appliance comes factory equipped with a means to secure the unit.

This FPI Mobile/Manufactured Home listed appliance comes equipped with a dedicated #8 ground lug to which an 18 gauge copper wire from the steel chassis ground must be attached.

This appliance may only be installed in an aftermarket permanently located, manufactured (mobile) home, where not prohibited by local codes.

This appliance is only use with the type of gas indicated on the rating plate. This appliance is not convertible for use with other gases, unless a certified kit is used.



We recommend that our products be installed and serviced by professionals who are certified in the U.S. by the National Fireplace Institute[®] (NFI) or in Canada by Wood Energy Technical Training (WETT).



4 | table of contents

Copy of Safety Decal for P36D-10.....	5
MA Code - CO Detector.....	6

Dimensions

Unit Dimensions with Vignette Faceplate.....	7
Unit Dimensions with Vignette and Vignette Finishing Trim	8
Unit Dimensions with Safety Screen (#515-929) and Optional Louvers.....	8

Installation

Gas Installation Checklist	9
Lighting Procedure	11
Shutdown Procedure	11
Proflame I Remote Control Operating Instructions	12
Proflame I Remote Receiver Battery Replacement.....	16
Before You Start.....	17
Important Message	18
General Safety Information	18
Installation Checklist.....	18
Locating Your Gas Fireplace	19
Manufactured Mobile Home Additional Requirements.....	19
Heatwave Duct System (Optional)	19
Heat Release Kit (Optional)	19
Clearances.....	20
Mantel Leg Clearances.....	21
Combustible Mantel Clearances	22
Framing.....	23
Finishing.....	25
Wall Mount On/Off Switch and Remote Receiver Installation	26
Unit Assembly Prior To Installation.....	27
Venting Introduction.....	27
Exterior Vent Termination Locations.....	28
Venting.....	29
4" x 6-5/8" Rigid Pipe Cross Reference Chart.....	30
Rigid Pipe Venting Systems	32
Venting Arrangements - Horizontal Termination	33
Venting Arrangements - Vertical Termination	34
Horizontal Venting with Two (2) 90° Elbows.....	36
Horizontal Venting with Three (3) 90° Elbows	36
Vertical Venting with Two (2) 90° Elbows.....	37
Vertical Venting with Three (3) 90° Elbows	37
Vertical Termination with Co-linear Flex System into a Masonry Chimney.....	38
Venting Arrangement - Vertical Terminations	39
Unit Installation with Horizontal Termination	40
Unit Installation with Vertical Termination.....	41
Direct Vent System (Flex) Installation Procedures	42
Vertical Termination - 4" x 6-7/8" Venting.....	43
Vertical Flue Extension Kit (Part #946-756)	44
Ceiling Firestop / Firestop Spacer (Part #946-757).....	44

Flex Vent Components.....	44
System Data	45
High Elevation.....	45
Gas Line Installation	45
Pilot Adjustment.....	46
Gas Pipe Pressure Testing	46
SIT 829 Valve Description	46
Conversion from NG to LP	47
Optional Brick Panels.....	48
Optional Enamel Panels	49
Log Set Installation	50
Wiring Diagrams	54
Optional Wall Thermostat Installation	55
Optional Fan Installation	56
Standard Flush Door.....	57
Wall Thermostat (Optional).....	58
DC Spark Igniter Battery Installation.....	58
Vignette Faceplate and Safety Screen Installation	59
Optional Vignette Inlay Installation	60
Vignette Finishing Trim Installation	61
Optional Finishing Trim	62
Safety Screen Installation	63
Optional Flush Louvers Installation	63

Operating Instructions

Operating Instructions	64
Lighting Procedure	64
Shutdown Procedure	64
Copy of the Lighting Plate Instructions.....	65
First Fire.....	66
Aeration Adjustment.....	66
Normal Operating Sounds of Gas Appliances	66

Maintenance

Maintenance Instructions.....	66
General Vent Maintenance	67
Log Replacement	67
Thermopile / Thermocouple	67
Glass Gasket.....	67
Door Glass.....	67
Removing Valve	68
Installing Valve.....	68
Gas Maintenance.....	69

Parts

Main Assembly	70
Burner Assembly & Log Set.....	72
Vignette Faceplate and Finishing Trim	73
Safety Screen and Louvers.....	74

Warranty

Warranty	76
Recycling	82



This is a copy of the label that accompanies each P36D-10 Zero Clearance Direct Vent Gas Fireplace. We have printed a copy of the contents here for your review. The safety label is located on the front inside base of the unit, visible when the bottom louver is open.

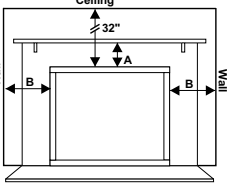
NOTE: FPI units are constantly being improved. Check the label on the unit and if there is a difference, the label on the unit is the correct one.

COPY OF SAFETY DECAL FOR P36D-10

Duplicate S/N

306

 Intertek #4001172	Listed: VENTED GAS FIREPLACE HEATER/FOYER AU GAZ À ÉVACUATION Certified to/Certifié pour : CSA 2.17-2017 ANSI Z21.88-2019 CSA 2.33-2019 MAY BE INSTALLED IN MANUFACTURED (MOBILE) HOMES AFTER FIRST SALE. Refer to Intertek's Directory of Building Products for detailed information. Pour plus de détails, se reporter au Répertoire des produits de construction de Intertek.	<p style="color: red; font-weight: bold;">DO NOT REMOVE THIS LABEL / NE PAS ENLEVER CETTE ÉTIQUETTE</p>  Serial No. / No de série <div style="border: 1px solid black; padding: 2px; display: inline-block; margin-top: 5px;">306</div>
---	---	--

Model/Modèle : P36D-NG10	<p>NATURAL GAS: Model P36D-NG10</p> <table border="0" style="width: 100%;"> <tr> <td>Minimum supply pressure</td> <td>5" WC(1.25 kPa)</td> <td>Pression d'alimentation minimale</td> </tr> <tr> <td>Manifold pressure high</td> <td>3.8" WC(0.95 kPa)</td> <td>Pression manifold élevée</td> </tr> <tr> <td>Manifold pressure low</td> <td>1.1" WC(0.27 kPa)</td> <td>Pression manifold basse</td> </tr> <tr> <td>Orifice size</td> <td># 37 DMS</td> <td>Taille de l'orifice</td> </tr> <tr> <td>Minimum input</td> <td>15,000 Btu/h (4.54 kW)</td> <td>Débit calorifique minimal</td> </tr> <tr> <td>Maximum input</td> <td>30,000 Btu/h (8.79 kW)</td> <td>Débit calorifique maximal</td> </tr> <tr> <td>Altitude</td> <td>0-4500 ft/pi(0-1372 m)</td> <td>Altitude</td> </tr> </table>	Minimum supply pressure	5" WC(1.25 kPa)	Pression d'alimentation minimale	Manifold pressure high	3.8" WC(0.95 kPa)	Pression manifold élevée	Manifold pressure low	1.1" WC(0.27 kPa)	Pression manifold basse	Orifice size	# 37 DMS	Taille de l'orifice	Minimum input	15,000 Btu/h (4.54 kW)	Débit calorifique minimal	Maximum input	30,000 Btu/h (8.79 kW)	Débit calorifique maximal	Altitude	0-4500 ft/pi(0-1372 m)	Altitude	<p>APPAREIL FONCTIONNANT AU GAZ NATUREL Modèle P36D-NG10</p> <table border="0" style="width: 100%;"> <tr> <td>Pression d'alimentation minimale</td> </tr> <tr> <td>Pression manifold élevée</td> </tr> <tr> <td>Pression manifold basse</td> </tr> <tr> <td>Taille de l'orifice</td> </tr> <tr> <td>Débit calorifique minimal</td> </tr> <tr> <td>Débit calorifique maximal</td> </tr> <tr> <td>Altitude</td> </tr> </table>	Pression d'alimentation minimale	Pression manifold élevée	Pression manifold basse	Taille de l'orifice	Débit calorifique minimal	Débit calorifique maximal	Altitude	<p style="text-align: center;">Minimum Clearances to Combustibles / Dégagements minimaux par rapport aux matériaux combustibles</p>  <p style="text-align: center; color: red; font-weight: bold;">DOOR SEAL: Please check that the door is properly sealed</p> <p style="text-align: center; font-size: small;">(See Instruction Manual for detailed instructions)</p>
Minimum supply pressure	5" WC(1.25 kPa)	Pression d'alimentation minimale																													
Manifold pressure high	3.8" WC(0.95 kPa)	Pression manifold élevée																													
Manifold pressure low	1.1" WC(0.27 kPa)	Pression manifold basse																													
Orifice size	# 37 DMS	Taille de l'orifice																													
Minimum input	15,000 Btu/h (4.54 kW)	Débit calorifique minimal																													
Maximum input	30,000 Btu/h (8.79 kW)	Débit calorifique maximal																													
Altitude	0-4500 ft/pi(0-1372 m)	Altitude																													
Pression d'alimentation minimale																															
Pression manifold élevée																															
Pression manifold basse																															
Taille de l'orifice																															
Débit calorifique minimal																															
Débit calorifique maximal																															
Altitude																															
Model/Modèle : P36D-LP10	<p>PROPANE: Model P36D-LP10</p> <table border="0" style="width: 100%;"> <tr> <td>Minimum supply pressure</td> <td>12" WC(3.00 kPa)</td> <td>Pression d'alimentation minimale</td> </tr> <tr> <td>Manifold pressure high</td> <td>11" WC(2.74 kPa)</td> <td>Pression manifold élevée</td> </tr> <tr> <td>Manifold pressure low</td> <td>2.9" WC(0.72 kPa)</td> <td>Pression manifold basse</td> </tr> <tr> <td>Orifice size</td> <td># 52 DMS</td> <td>Taille de l'orifice</td> </tr> <tr> <td>Minimum input</td> <td>15,000 Btu/h (4.39 kW)</td> <td>Débit calorifique minimal</td> </tr> <tr> <td>Maximum input</td> <td>30,000 Btu/h (8.79 kW)</td> <td>Débit calorifique maximal</td> </tr> <tr> <td>Altitude</td> <td>0-4500 ft/pi(0-1372 m)</td> <td>Altitude</td> </tr> </table>	Minimum supply pressure	12" WC(3.00 kPa)	Pression d'alimentation minimale	Manifold pressure high	11" WC(2.74 kPa)	Pression manifold élevée	Manifold pressure low	2.9" WC(0.72 kPa)	Pression manifold basse	Orifice size	# 52 DMS	Taille de l'orifice	Minimum input	15,000 Btu/h (4.39 kW)	Débit calorifique minimal	Maximum input	30,000 Btu/h (8.79 kW)	Débit calorifique maximal	Altitude	0-4500 ft/pi(0-1372 m)	Altitude	<p>APPAREIL FONCTIONNANT AU GAZ PROPANE Modèle P36D-LP10</p> <table border="0" style="width: 100%;"> <tr> <td>Pression d'alimentation minimale</td> </tr> <tr> <td>Pression manifold élevée</td> </tr> <tr> <td>Pression manifold basse</td> </tr> <tr> <td>Taille de l'orifice</td> </tr> <tr> <td>Débit calorifique minimal</td> </tr> <tr> <td>Débit calorifique maximal</td> </tr> <tr> <td>Altitude</td> </tr> </table>	Pression d'alimentation minimale	Pression manifold élevée	Pression manifold basse	Taille de l'orifice	Débit calorifique minimal	Débit calorifique maximal	Altitude	<p>0" Clearance to combustibles from: Sides, bottom and rear of unit</p> <p>Mantel Clearances from Top: (A) Min. 12" (305mm)</p> <p>Side Wall Clearance from Side Facing B) 6"</p> <p>Alcove Clearances: Max. Depth 36" (914mm) Min. Width 48" (1219mm), Min. Height 72" (1829mm)</p> <p>Minimum Vent Clearances: Horizontal Top 2-1/2" (64mm) Horizontal Side 1-1/2" (38mm) Horizontal Bottom 1-1/2" (38mm)</p>
Minimum supply pressure	12" WC(3.00 kPa)	Pression d'alimentation minimale																													
Manifold pressure high	11" WC(2.74 kPa)	Pression manifold élevée																													
Manifold pressure low	2.9" WC(0.72 kPa)	Pression manifold basse																													
Orifice size	# 52 DMS	Taille de l'orifice																													
Minimum input	15,000 Btu/h (4.39 kW)	Débit calorifique minimal																													
Maximum input	30,000 Btu/h (8.79 kW)	Débit calorifique maximal																													
Altitude	0-4500 ft/pi(0-1372 m)	Altitude																													
Pression d'alimentation minimale																															
Pression manifold élevée																															
Pression manifold basse																															
Taille de l'orifice																															
Débit calorifique minimal																															
Débit calorifique maximal																															
Altitude																															

This appliance must be installed in accordance with local codes, if any; if none, follow the National Fuel Gas Code, ANSI Z223.1, or Natural Gas and Propane Installation Code, CSA B149.1.
 This appliance must be installed in accordance with the Standard CAN/CSA Z240 MH, Mobile Housing, in Canada, or with the Manufactured Home Construction and Safety Standard, Title 24 CFR, Part 3280, in the United States, or when such a standard is not applicable, ANSI/NCSBCS A225.1/NFPA 501A, Manufactured Home Installations Standard or ANSI A119.2 ou NFPA 501C Standard for Recreational Vehicles
 This appliance is only for use with the type of gas indicated on the rating plate and may be installed in an aftermarket, permanently located, manufactured (mobile) home where not prohibited by local codes. See owner's manual for details. Fan (Part# 438-917) Option: HeatWave Kit #946-556
 Installer l'appareil selon les codes ou règlements locaux, ou, en l'absence de tels règlements, selon les codes d'installation ANSI Z223.1, National Fuel Gas Code ou CSA-B149.1 en vigueur.
 Installer l'appareil selon la norme CAN/CSA-Z240, Série MM, Maison mobiles ou CAN/CSA-Z240 VC, Véhicules de camping, ou la norme 24 CFR Part 3280, Manufactured Home Construction and Safety Standard. Si ces normes ne sont pas pertinentes, utiliser la norme ANSI/NCSBCS A225.1/NFPA 501A, Manufactured Home Installations Standard, ou ANSI A119.2 ou NFPA 501C Standard for Recreational Vehicles.
 Cet appareil doit être utilisé uniquement avec le type de gaz indiqué sur la plaque signalétique. Cet appareil peut être installé dans une maison préfabriquée ou mobile (E.-U. seulement) installée à demeure si les règlements locaux le permettent. Voir la notice de l'utilisateur pour plus de renseignements. Cet appareil ne peut pas être utilisé avec d'autres gaz sauf si une trousse de conversion certifiée est fournie.
 This vented gas fireplace heater is not for use with air filters. Ne pas utiliser de filtre à air avec ce foyer au gaz à évacuation.
 For use with glass doors certified with the appliance only. À utiliser uniquement avec les portes en verre certifiées avec l'appareil.
For Use Only with Barrier (Part #515-005 with Vignette) or (Part #515-929 Installed with Louvers) Follow installation instructions.
 Utiliser uniquement avec l'écran (n° 515-005 avec Vignette) ou (n° 515-929 Installation avec grilles d'aération) Suivre les instructions d'installation.
 ELECTRICAL SUPPLY/ALIMENTATION ÉLECTRIQUE: 115V, 60HZ less than/moins de 2 AMP

Made in Canada/
 Fabriqué au Canada

FPI Fireplace Products International Ltd.
 Delta, BC, Canada
 919-445b

Foyer au gaz à évacuation - NE PAS UTILISER AVEC UN COMBUSTIBLE SOLIDE. CATÉGORIE I.
 VENTED GAS FIREPLACE HEATER - NOT FOR USE WITH SOLID FUELS. CATEGORY I.

For the State of Massachusetts, installation and repair must be done by a plumber or gasfitter licensed in the Commonwealth of Massachusetts.

For the State of Massachusetts, flexible connectors shall not exceed 36 inches in length.

For the State of Massachusetts, the appliances individual manual shut-off must be a t-handle type valve.

The State of Massachusetts requires the installation of a carbon monoxide alarm in accordance with NFPA 720 and a CO alarm with battery back up in the same room where the gas appliance is installed.

Regency® P36D-10 Zero Clearance Direct Vent Gas Fireplace | 5

**MA Code - CO Detector
(for the State of Massachusetts only)**

5.08: Modifications to NFPA-54, Chapter 10

(2) Revise 10.8.3 by adding the following additional requirements:

(a) For all side wall horizontally vented gas fueled equipment installed in every dwelling, building or structure used in whole or in part for residential purposes, including those owned or operated by the Commonwealth and where the side wall exhaust vent termination is less than seven (7) feet above finished grade in the area of the venting, including but not limited to decks and porches, the following requirements shall be satisfied:

1. **INSTALLATION OF CARBON MONOXIDE DETECTORS.** At the time of installation of the side wall horizontal vented gas fueled equipment, the installing plumber or gasfitter shall observe that a hard wired carbon monoxide detector with an alarm and battery back-up is installed on the floor level where the gas equipment is to be installed. In addition, the installing plumber or gasfitter shall observe that a battery operated or hard wired carbon monoxide detector with an alarm is installed on each additional level of the dwelling, building or structure served by the side wall horizontal vented gas fueled equipment. It shall be the responsibility of the property owner to secure the services of qualified licensed professionals for the installation of hard wired carbon monoxide detectors

a. In the event that the side wall horizontally vented gas fueled equipment is installed in a crawl space or an attic, the hard wired carbon monoxide detector with alarm and battery back-up may be installed on the next adjacent floor level.

b. In the event that the requirements of this subdivision can not be met at the time of completion of installation, the owner shall have a period of thirty (30) days to comply with the above requirements; provided, however, that during said thirty (30) day period, a battery operated carbon monoxide detector with an alarm shall be installed.

2. **APPROVED CARBON MONOXIDE DETECTORS.** Each carbon monoxide detector as required in accordance with the above provisions shall comply with NFPA 720 and be ANSI/UL 2034 listed and IAS certified.

3. **SIGNAGE.** A metal or plastic identification plate shall be permanently mounted to the exterior of the building at a minimum height of eight (8) feet above grade directly in line with the exhaust vent terminal for the horizontally vented gas fueled heating appliance or equipment. The sign shall read, in print size no less than one-half (1/2) inch in size, "**GAS VENT DIRECTLY BELOW. KEEP CLEAR OF ALL OBSTRUCTIONS**".

4. **INSPECTION.** The state or local gas inspector of the side wall horizontally vented gas fueled equipment shall not approve the installation unless, upon inspection, the inspector observes carbon monoxide detectors and signage installed in accordance with the provisions of 248 CMR 5.08(2)(a)1 through 4.

(b) **EXEMPTIONS:** The following equipment is exempt from 248 CMR 5.08(2)(a)1 through 4:

1. The equipment listed in Chapter 10 entitled "Equipment Not Required To Be Vented" in the most current edition of NFPA 54 as adopted by the Board; and

2. Product Approved side wall horizontally vented gas fueled equipment installed in a room or structure separate from the dwelling, building or structure used in whole or in part for residential purposes.

(c) **MANUFACTURER REQUIREMENTS - GAS EQUIPMENT VENTING SYSTEM PROVIDED.** When the manufacturer of Product Approved side wall horizontally vented gas equipment provides a venting system design or venting system components with the equipment, the instructions provided by the manufacturer for installation of the equipment and the venting system shall include:

1. Detailed instructions for the installation of the venting system design or the venting system components; and

2. A complete parts list for the venting system design or venting system.

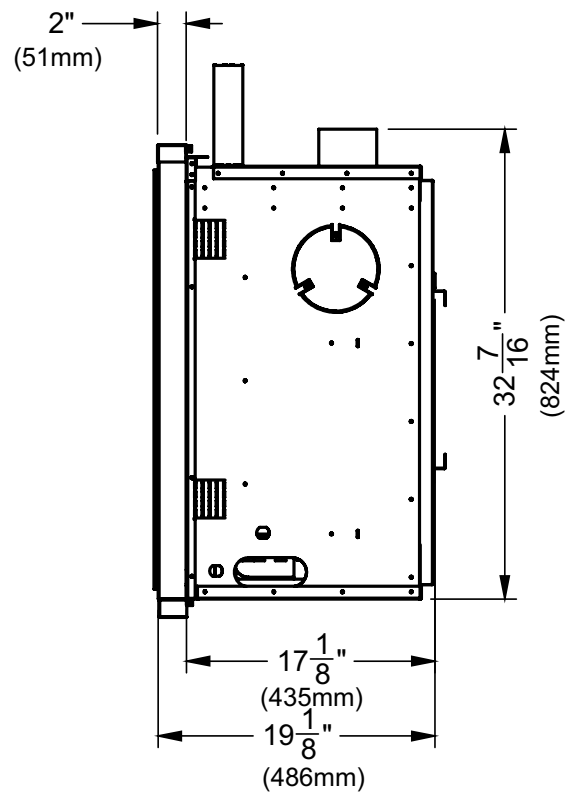
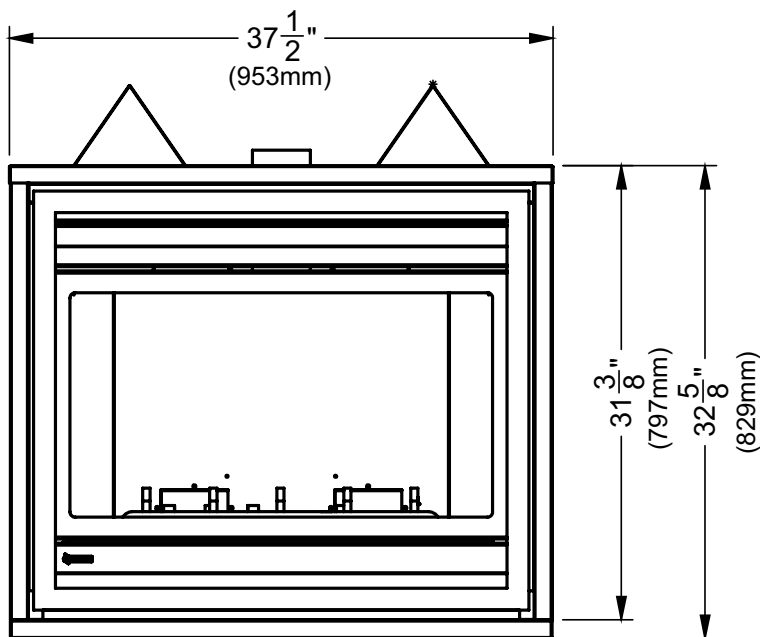
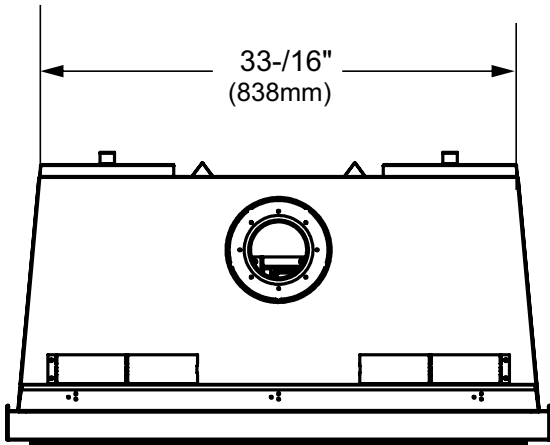
(d) **MANUFACTURER REQUIREMENTS - GAS EQUIPMENT VENTING SYSTEM NOT PROVIDED.** When the manufacturer of a Product Approved side wall horizontally vented gas fueled equipment does not provide the parts for venting the flue gases, but identifies "special venting systems", the following requirements shall be satisfied by the manufacturer:

1. The referenced "special venting system" instructions shall be included with the appliance or equipment installation instructions; and

2. The "special venting systems" shall be Product Approved by the Board, and the instructions for that system shall include a parts list and detailed installation instructions.

(e) A copy of all installation instructions for all Product Approved side wall horizontally vented gas fueled equipment, all venting instructions, all parts lists for venting instructions, and/or all venting design instructions shall remain with the appliance or equipment at the completion of the installation.

UNIT DIMENSIONS WITH VIGNETTE FACEPLATE + TRIM

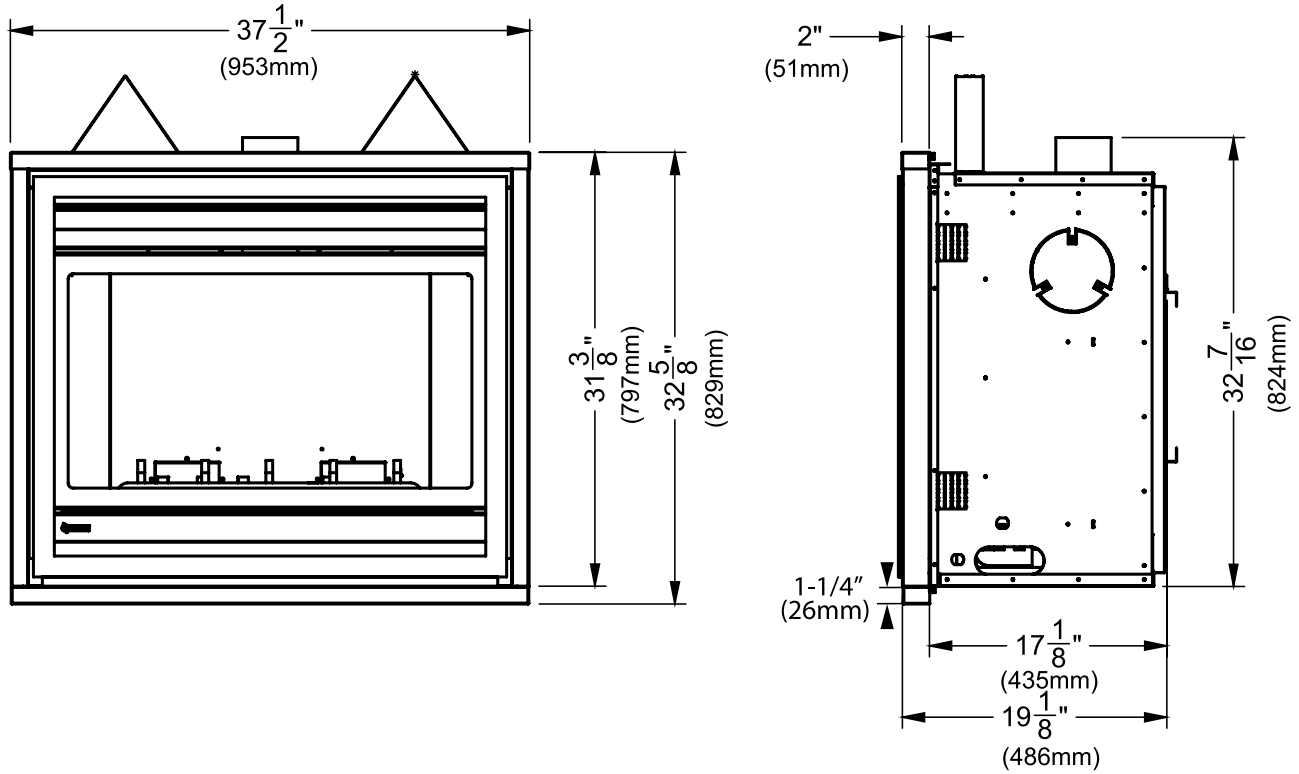


Note: Gas connection is from the right hand side of the appliance & electrical connection on left hand side of the appliance. A metal receptacle box is supplied/installed with the appliance to make all 120 volt electrical connections.

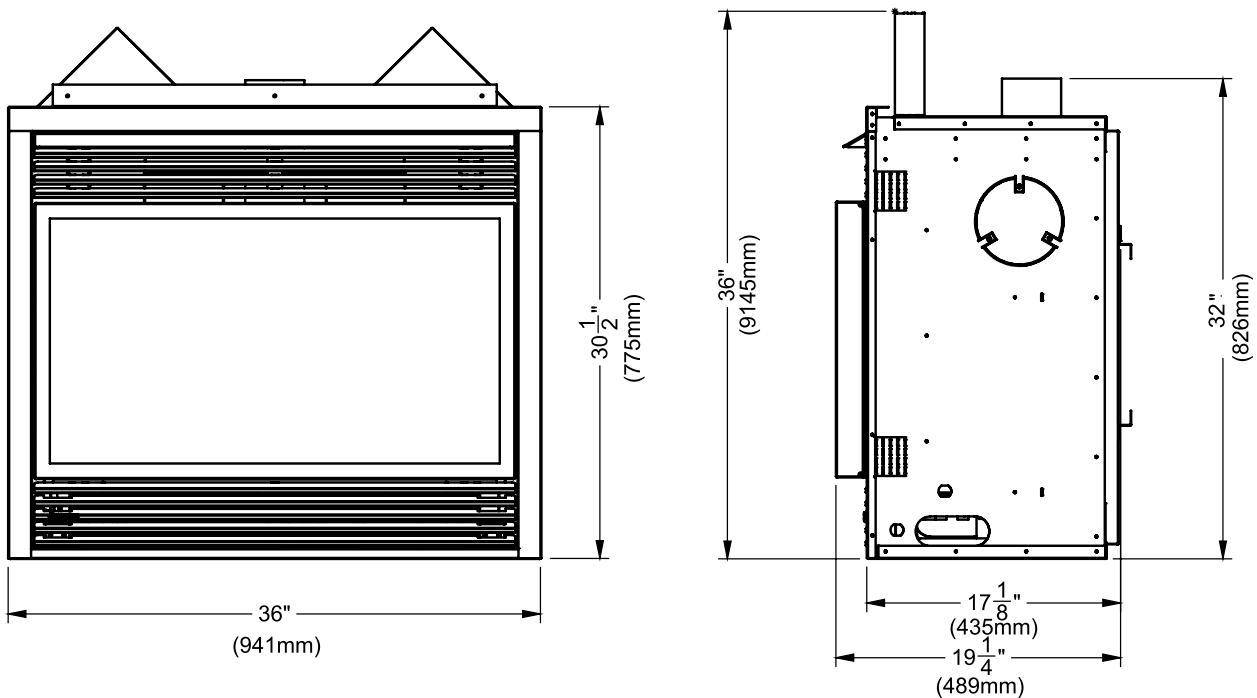
ALL PICTURES / DIAGRAMS SHOWN THROUGHOUT THIS MANUAL ARE FOR ILLUSTRATION PURPOSES ONLY. ACTUAL PRODUCT MAY VARY DUE TO PRODUCT ENHANCEMENTS.

8 | dimensions

UNIT DIMENSIONS WITH VIGNETTE AND VIGNETTE FINISHING TRIM



UNIT DIMENSIONS WITH SAFETY SCREEN (#515-929) AND OPTIONAL LOUVERS



Note: Gas connection is from the right hand side of the appliance & electrical connection on left hand side of the appliance. A metal receptacle box is supplied/installed with the appliance to make all 120 volt electrical connections.

GAS INSTALLATION CHECKLIST

This general checklist does not contain all pertinent installation details or specifics and does not supersede the guidelines in this manual. Your Regency dealer/installer should use it in conjunction with manual instructions. Please follow all local codes and jurisdictions in authority.

Customer: _____	Date Installed: _____
Install Address: _____	Location of Fireplace: _____
Serial No: _____	Installer: _____
Model No: _____	

Site Requirements	YES	NO
If applicable, are the insulation, vapour barrier, and drywall present if installed on an outside wall or chase?		
Does the area have a solid continuous base to support the unit?		
Will the area accommodate the size of the appliance and all clearances?		
Are the gas and electrical roughed into the area where the unit is being installed?		
In City & Grandview series cool wall applications, is the chase enclosure sealed to prevent heat from escaping? All hot air from the unit must exit via the mandatory ventilation openings.		
In City & Grandview applications, Is the chase enclosure vented with the mandatory heat ventilation openings? See manual for details.		
If applicable, is the masonry/factory built fireplace in its original condition with no modifications?		
If applicable, have the hearth requirements been met?		
Unit Setup	YES	NO
If applicable, are the standoffs and top nailing flange extensions installed and at the correct depth to accommodate finishing material? See manual for details.		
If applicable, is the fireplace level and secured, meeting framing clearances? See manual for details.		
If applicable, is the unit converted to top or rear vent per manual instructions, and the insulation discarded?		
Venting	YES	NO
Are the venting components approved for the unit installed?		
Does the venting configuration comply with venting diagrams?		
Is venting installed and secured, and are clearances for the vent pipe and termination cap maintained?		
If applicable, was a 1/4" rise maintained for every foot of horizontal run?		
Was the termination installed and sealed?		
Is the direct vent termination at the highest point in the vent assembly?		
If applicable, are both chimney liners continuous from flue collars to termination?		
Electrical and Wiring	YES	NO
Is the appliance connected to the household's 110/120v per local codes? Check local codes for receptacle placement.		
Were the connections in the fireplace tested with a circuit tester?		
Is the appliance properly grounded?		
If applicable, is the supplied electrical/gang box affixed to the wall to facilitate the mounting of the receiver/battery box ?		
If applicable, is all electrical, Ethernet, HDMI, networking, optical, wire/cables, conduits, etc. run through the wood or steel stud work as wires/cables of any kind cannot be exposed directly above or over the fireplace?		
Gas	YES	NO
Does the supply pressure meet the requirements shown on the rating plate?		
Was a conversion performed?		
Was a leak check performed and manifold pressures verified?		

Is the shut-off valve installed and easily accessible to the customer?		
Finishing	YES	NO
If applicable, is only noncombustible material installed in the noncombustible areas?		
Do clearances meet installation and manual requirements?		
Do the mantels and/or projections comply with the installation manual?		
If applicable, was the solid fuel fireplace warning plate installed?		
Is the chase enclosure fully open the full width, height and depth above the fireplace as per the requirements noted in the framing section?		
Appliance Media Setup	YES	NO
Do commands from the remote or wall switch light the pilot and main burner?		
Are the burner media/log set, glass door, and screen installed per instructions in the manual?		
Was the air shutter on the proper setting after running the unit for 20 minutes?		
If applicable, were the surround and trims installed according to the manual?		
Was the operation of the fan, lights (if installed), and flame modulation checked?		
Customer Tutorial and Presentation	YES	NO
Is the customer confident operating the new gas appliance and aware of all the features on the remote?		
Confirm that the rating and lighting plates are attached to the appliance. Do not remove.		
Was the customer informed of the location of the rating and lighting plates?		
Was accessing unit controls in a power outage explained to the customer?		
Are the model and serial numbers and the date of installation of the unit written in the manual and on the checklist?		
Were the warranty and unit registration reviewed with the customer?		
Comments:		

LIGHTING PROCEDURE

IMPORTANT: The remote control system supplied with this appliance has several options for starting/operating the appliance using the power button and ON/OFF key on the hand-held transmitter. Prior to operating this appliance, please read the remote control operating instructions (packaged with remote control) to understand how to operate this remote control system. Option to download remote functions video with QR code below.



Proflame video

1. Ensure the wall switch/receiver is in the remote position (see Diagram 1).

Set Switch to Remote



Diagram 1

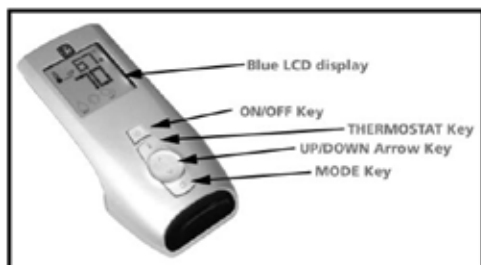
2. Press and release the ON/OFF button on the remote handheld transmitter (see Diagram 2). An audible beep should be heard from the receiver.



ON/OFF Button

Diagram 2

Remote shown in Manual Mode on Hi



3. After approximately 4 seconds the spark ignition system will spark for 60 seconds to light the pilot.
4. The unit will turn on.

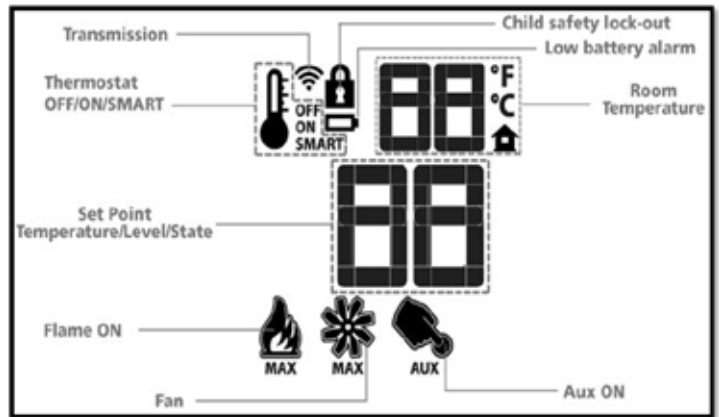
Note: The first try for ignition will last approximately 60 seconds. If there is no flame ignition (rectification) the board will stop sparking for approximately 35 seconds. After wait time, the board will start second try for ignition by sparking for approximately 60 seconds. If there is still no positive ignition the board will go into lock out.

The system will need to be reset as follows:

- a) Turn the system off using ON/OFF switch or press ON/OFF button - if using remote.
- b) After approximately 2 seconds turn on ON/OFF switch or press ON/OFF button if using remote.
- c) Repeat step 2.

SHUTDOWN PROCEDURE

1. Turn the wall-mounted switch or remote to the "OFF" position.
2. Press "OFF" on the remote control.
3. Turn the gas control knob to the "OFF" position to turn off the pilot.



PROFLAME I REMOTE CONTROL OPERATING INSTRUCTIONS

IMPORTANT:The Proflame Transmitter 2 is an integrated part of the Proflame 2 System, which consists of these elements:

- Proflame 2 Transmitter, to be used in conjunction with:
- Integrated Fireplaces Control (Proflame 2 IFC)

The Proflame 2 Transmitter provides for controlling the following hearth appliance functions:

1. Main Burner On/Off
2. Main Burner flame modulation (6 levels)
3. Choice of standing or intermittent pilot (CPI/IPI)
4. Thermostat and Smart thermostat functions
5. Accent light modulation (6 levels)**
6. Split flow valve**
7. Comfort Fan speed modulation (6 levels)**

** This feature is not available on all models.

The Proflame Transmitter uses a streamline design with a simple button layout and informative LCD display (Fig. 1). A Mode Key is provided to index between the features and a Thermostat Key is used to turn on/off or index through Thermostat functions (Fig. 1 & 2). Additionally, a Key Lock feature is provided (Fig. 22).



Figure 1: Proflame Transmitter

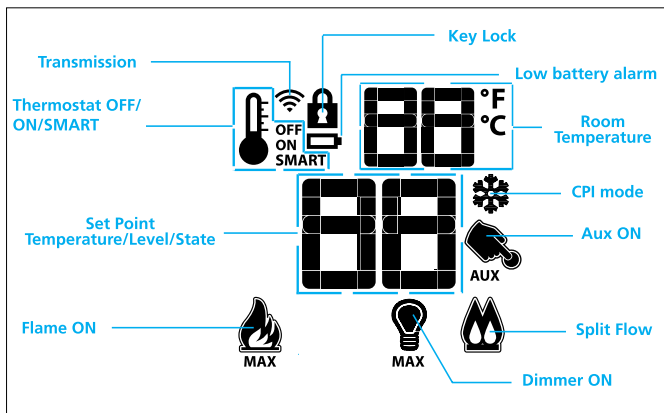


Figure 2: Transmitter LCD Display

Note: May not be exactly as shown as hand-held may be silver or black.

TECHNICAL DATA REMOTE CONTROL	
Supply Voltage	4.5V (three 1.5V AAA batteries)
Ambient temperature ratings	0 - 50°C (32 - 122°F)
Radio Frequency	315 MHZ

WARNING: THE TRANSMITTER AND RECEIVER ARE RADIO FREQUENCY DEVICES. PLACING THE RECEIVER IN OR NEAR METAL MAY SEVERELY REDUCE THE SIGNAL

ATTENTION!

- Turn "OFF" the main gas supply of the appliance during installation or maintenance of the Receiver device.
- Turn "OFF" main gas supply to the appliance prior to removing or reinserting the batteries.
- In case of remote control malfunction, turn off the IFC device using the "ON/OFF" main switch.
- For installation / maintenance, switch off the IFC device removing main power supply plug.

OPERATING PROCEDURE

Pairing the remote control to remote receiver/ battery holder (if required)

Power the receiver. Press the "PRG" button located on the top right hand side of receiver, see the receiver instruction (*). The Receiver will "beep" three (3) times to indicate that it is ready to synchronize with a Transmitter. Install the 3 AAA type batteries in the Transmitter battery bay, located on the base of the Transmitter. (fig. 3) With the batteries already installed in the Transmitter, push the On button. The Receiver will "beep" four times to indicate the Transmitter's command is accepted and sets to the particular code of that Transmitter. The system is now initialized.

(*) The receiver may be independent or integral to the IFC hearth appliance control module. The receiver instruction may not be independent when part of the IFC.

Note: Only use regular alkaline batteries. Do not use rechargeable or lithium batteries.



Figure 3: Battery Compartment

Temperature indication Display

With the system in the "OFF" position, press the Thermostat Key and the Mode Key at the same time. Look at the LCD screen on the transmitter to verify that a C or F is visible to the right of the room temperature display (Figures 4 & 5).

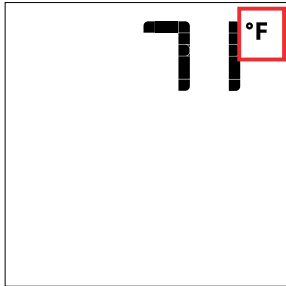


Figure 4: Remote Control display in Fahrenheit.

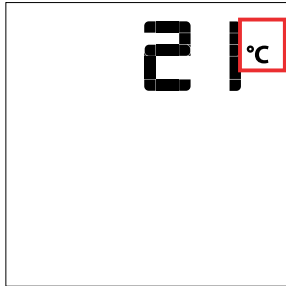


Figure 5: Remote Control display in Celsius.

Turn on the Appliance

With the system OFF, press the ON/OFF Key on the Transmitter. The Transmitter display will show some other active Icons on the screen. At the same time the Receiver will activate the appliance. A single "beep" from the Receiver will confirm reception of the command.

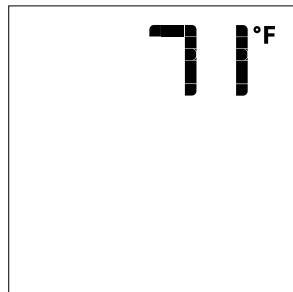


Figure 6: Remote Control display

Turn off the Appliance

With the system ON, press the ON/OFF Key on the Transmitter. The Transmitter LCD display will only show the room temperature (Fig. 6). At the same time the Receiver will turn off the appliance. A single "beep" from the Receiver confirms reception of the command.

Remote-Flame Control

The Proflame has six (6) flame levels. With the system on, and the flame level at the maximum in the appliance, pressing the Down Arrow Key once will reduce the flame height by one step until the flame is turned off. The Up Arrow Key will increase the flame height each time it is pressed. If the Up Arrow Key is pressed while the system is on but the flame is off, the flame will come on in the high position (Fig. 7 & 8). A single "beep" will confirm reception of the command.

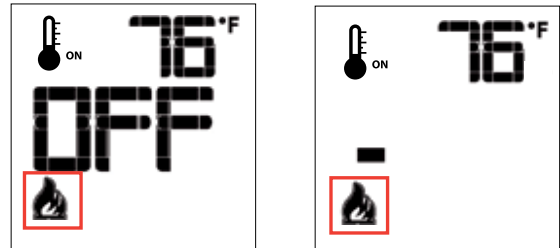


Fig. 7

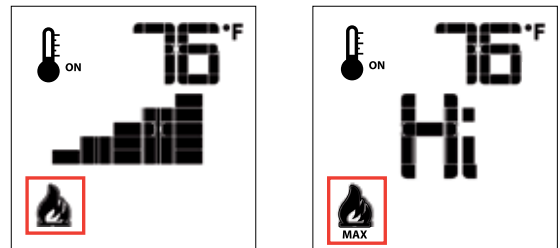


Fig. 8

Room Thermostat (Transmitter Operation)

The Remote Control can operate as a room thermostat. The thermostat can be set to a desired temperature to control the comfort level in a room. To activate this function, press the Thermostat Key (Fig. 1). The LCD display on the Transmitter will change to show that the room thermostat is "ON" and the set temperature is now displayed (Fig. 9). To adjust the set temperature, press the Up or Down Arrow Keys until the desired set temperature is displayed on the LCD screen of the Transmitter.

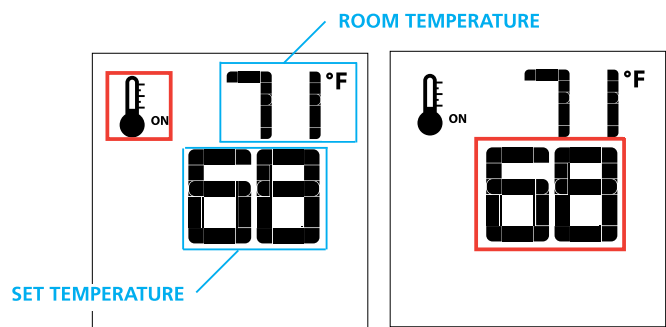


Figure 9

Figure 10

Smart Thermostat (Transmitter Operation)

The Smart Thermostat function adjusts the flame height in accordance to the difference between the set point temperature and the actual room temperatures. As the room temperature gets closer to the set point the Smart Function will modulate the flame down.

To activate this function, press the Thermostat Key (Fig. 1) until the word "SMART" appears to the right of the temperature bulb graphic (Fig. 11).

To adjust the set temperature, press the Up or Down Arrow Keys until the desired set temperature is displayed on the LCD screen of the Transmitter (Fig. 12).

Note. When Smart Thermostat is activated, manual flame height adjustment is disabled.

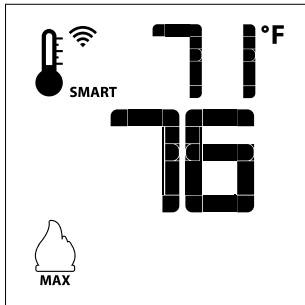


Figure 11: Smart Flame Function

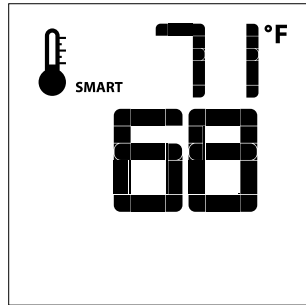


Figure 12

Fan Speed Control**

If the appliance is equipped with a hot air circulating fan, the speed of the fan can be controlled by the Proflame system. The fan speed can be adjusted through six (6) speeds. To activate this function use the Mode Key (fig.1) to index to the fan control icon (Fig. 13). Use the Up/Down Arrow Keys (fig.1) to turn on, off or adjust the fan speed (fig. 14). A single "beep" will confirm reception of the command.



Figure 13

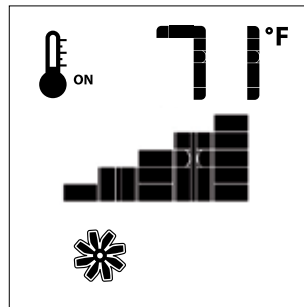


Figure 14

Remote dimmer control (Light)**

The auxiliary function controls the AUX power outlet by the dimmable light control. To activate this function use the Mode Key (fig. 1) to index to the AUX icon (fig. 15 & 16).

The intensity of the output can be adjusted through six (6) levels. Use the Up/Down Arrow Keys (fig.1) adjust the output level (fig. 16). A single "beep" will confirm reception of the command.

Note: This function is available only with the IFC Control Module.

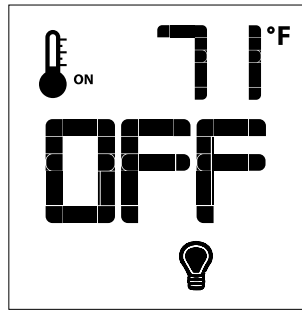


Figure 15

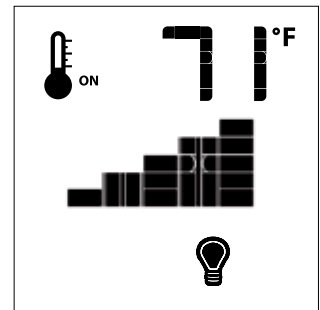


Figure 16

KEY LOCK

This function will lock the keys to avoid unsupervised operation.

To activate this function, press the MODE and UP Keys at the same time (fig. 21).

To de-activate this function, press the MODE and UP Keys at the same time.

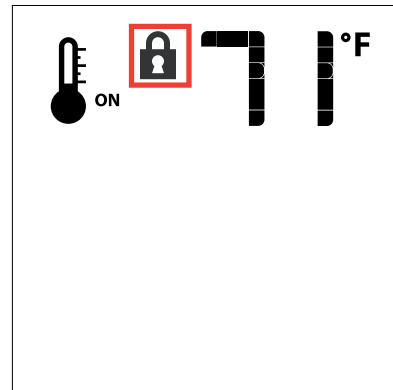


Figure 18

LOW BATTERY POWER DETECTION

Transmitter

The life span of the remote control batteries depends on various factors: quality of the batteries used, the number of ignitions of the appliance, the number of changes to the room thermostat set point, etc. When the Transmitter batteries are low, a Battery Icon will appear on the LCD display of the Transmitter (Fig. 22) before all battery power is lost. When the batteries are replaced this Icon will disappear.

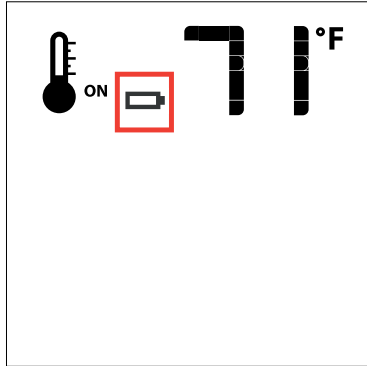


Figure 19

ENABLE / DISABLE functions on the Proflame I remote only.

1. Remove one battery from the remote.
2. Press and hold both the **ON/OFF** and the **MODE** button at the same time
3. Reinstall the battery (removed in Step 1) while still holding both buttons (keep holding both buttons and once all batteries are installed then release the **MODE** button only).
4. The screen will show **CFG**.
5. Use the up or down arrow button to program out the function on the remote.

Note: You should never program out the fan (if installed) feature on the remote. It is not possible to remove the thermostat mode on this remote control.

PROFLAME I REMOTE RECEIVER BATTERY REPLACEMENT & BATTERY BACKUP IF 120V POWER IS LOST WITHIN HOME

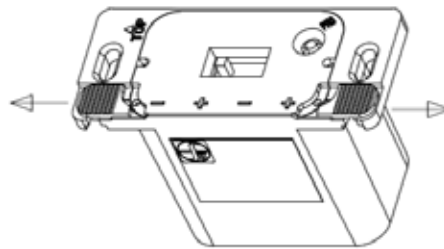
Remote Receiver Battery Replacement

How to replace/add the batteries on remote receiver.

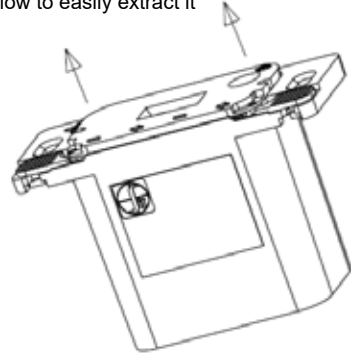
Note: If no fan control module is installed (included with the optional fan kit), 4 AA batteries are mandatory in the remote receiver to operate appliance when using remote control.

STEP 1

Move both the left/right slides as shown below.

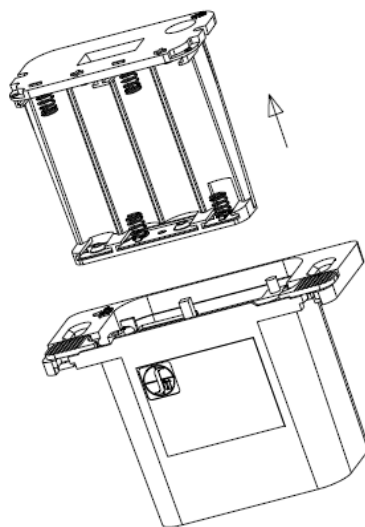


The battery compartment will be pushed out slightly, to allow to easily extract it

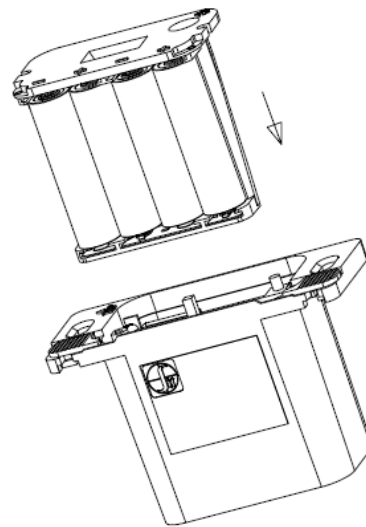


STEP 2

Extract the battery compartment from the remote receiver/battery holder

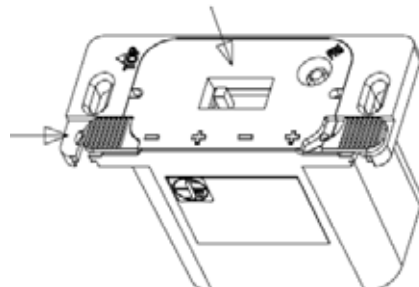


Replace 4 x AA batteries and insert the battery compartment back into remote receiver/battery holder

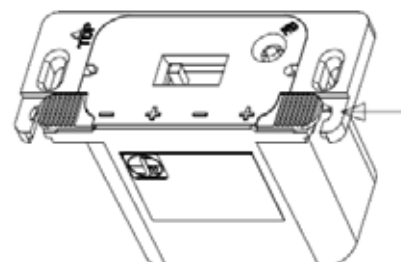


STEP 3

Keeping the battery compartment pressed in, close the left slide



Close the right slide



STEP 4 Reinstall wall cover plate with 2 Phillips head screws.

BEFORE YOU START

Safe installation and operation of this appliance requires common sense, however, we are required by the Canadian Safety Standards and ANSI Standards to make you aware of the following:

INSTALLATION AND REPAIR SHOULD BE DONE BY AN AUTHORIZED SERVICE PERSON. THE APPLIANCE SHOULD BE INSPECTED BEFORE USE AND AT LEAST ANNUALLY BY A PROFESSIONAL SERVICE PERSON. MORE FREQUENT CLEANING MAY BE REQUIRED DUE TO EXCESSIVE LINT FROM CARPETING, BEDDING MATERIAL, ETC. IT IS IMPERATIVE THAT CONTROL COMPARTMENTS, BURNERS AND CIRCULATING AIR PASSAGeways OF THE APPLIANCE BE KEPT CLEAN.

DUE TO HIGH TEMPERATURES, THE APPLIANCE SHOULD BE LOCATED OUT OF TRAFFIC AND AWAY FROM FURNITURE AND DRAPERIES.

WARNING: FAILURE TO INSTALL THIS APPLIANCE CORRECTLY WILL VOID YOUR WARRANTY AND MAY CAUSE A SERIOUS HOUSE FIRE.

CHILDREN AND ADULTS SHOULD BE ALERTED TO THE HAZARDS OF HIGH SURFACE TEMPERATURES, ESPECIALLY THE FIREPLACE GLASS, AND SHOULD STAY AWAY TO AVOID BURNS OR CLOTHING IGNITION.



YOUNG CHILDREN SHOULD BE CAREFULLY SUPERVISED WHEN THEY ARE IN THE SAME AREA AS THE APPLIANCE. TODDLERS, YOUNG CHILDREN AND OTHERS MAY BE SUSCEPTIBLE TO ACCIDENTAL CONTACT BURNS. A PHYSICAL BARRIERS IS RECOMMENDED IF THERE ARE AT RISK INDIVIDUAL IN THE HOUSE. TO RESTRICT ACCESS TO A FIREPLACE OR STOVE, INSTALL AN ADJUSTABLE SAFETY GATE TO KEEP TODDLERS, YOUNG CHILDREN AND OTHER AT RISK INDIVIDUALS OUT OF THE ROOM AND AWAY FROM HOT SURFACES.

CLOTHING OR OTHER FLAMMABLE MATERIAL SHOULD NOT BE PLACED ON OR NEAR THE APPLIANCE.

A BARRIER DESIGNED TO REDUCE THE RISK OF BURNS FROM THE HOT VIEWING GLASS IS PROVIDED WITH THIS APPLIANCE AND SHALL BE INSTALLED FOR THE PROTECTION OF CHILDREN AND OTHER AT-RISK INDIVIDUALS.

ANY SAFETY SCREEN, GUARD, OR BARRIER REMOVED FOR SERVICING THE APPLIANCE, MUST BE REPLACED PRIOR TO OPERATING THE APPLIANCE.

IF THE BARRIER BECOMES DAMAGED, THE BARRIER SHALL BE REPLACED WITH THE MANUFACTURER'S BARRIER FOR THIS APPLIANCE.

WARNING: Cancer and Reproductive Harm
www.P65Warnings.ca.gov

919-874

IMPORTANT MESSAGE SAVE THESE INSTRUCTIONS

The P36D-NG10 or P36D-LP10 Direct Vent Fireplace must be installed in accordance with these instructions. Carefully read all the instructions in this manual first. Consult the "authority having jurisdiction" to determine the need for a permit prior to starting the installation. It is the responsibility of the installer to ensure this fireplace is installed in compliance with manufacturer's instructions and all applicable codes.

GENERAL SAFETY INFORMATION

- 1) The appliance installation must conform with local codes or, in the absence of local codes, with the current Canadian or National Gas Codes, CSA B149.1 or ANSI Z223.1 Installation Codes.
- 2) The appliance when installed, must be electrically grounded in accordance with local codes, or in the absence of local codes with the current National Electrical Code, ANSI/NFPA 70 or CSA C22.1 Canadian Electrical Code.
- 3) See general construction and assembly instructions. The appliance and vent should be enclosed.
- 4) This appliance must be connected to the specified vent and termination cap to the outside of the building envelope. Never vent to another room or inside a building. Make sure that the vent is fitted as per Venting instructions.
- 5) Inspect the venting system annually for blockage and any signs of deterioration.
- 6) Venting terminals shall not be recessed into a wall or siding.
- 7) Any safety glass removed for servicing must be replaced prior to operating the appliance.
- 8) To prevent injury, do not allow anyone who is unfamiliar with the operation to use the fireplace.
- 9) Wear gloves and safety glasses for protection while doing required maintenance.
- 10) Be aware of electrical wiring locations in walls and ceilings when cutting holes for termination.
- 11) Under no circumstances should this appliance be modified. Parts that have to be removed for servicing should be replaced prior to operating this appliance.
- 12) Installation and any repairs to this appliance should be done by a qualified service person. A professional service person should be called to inspect this appliance annually. Make it a practice to have all of your gas appliances checked annually.
- 13) Do not slam shut or strike the glass door.
- 14) Under no circumstances should any solid fuels (wood, paper, cardboard, coal, etc.) be used in this appliance.
- 15) The appliance area must be kept clear and free of combustible materials, (gases and other flammable vapours and liquids).

INSTALLATION CHECKLIST

- 1) Locate appliance. Refer to the following sections:
 - a) Locating Your Gas Fireplace
 - b) Clearances
 - c) Combustible Mantel Clearances
 - d) Framing & Finishing
 - e) Venting
- 2) Assemble Top Standoffs and Top Facing Support and Side Nailing Strips (Refer to the "Unit Assembly Prior to Installation" section).
NOTE: Must be done before installing unit into fireplace.
- 3) Install vent (Refer to the "Venting" sections).
- 4) **Wire 120 volt AC power to the supplied receptacle box located on lower left hand side of appliance. The Duplex receptacle and receptacle cover are also included and will be located in the manual package. Note : This heater requires 120 volt AC supply for operation of the optional blower.**
- 5) **Install junction box supplied with appliance. Install remote receiver inside of junction box. Hook receiver to wire marked receiver. Install 4 AA batteries inside of receiver. This will enable operation of the burner.**

Note: If optional fan is not purchased, batteries are required in both remote receiver (4 x AA batteries) & remote hand held (3 x AAA batteries) in order to operate appliance using the remote control.
- 6) Make gas and electrical connections. Test the pilot. Must be as per diagram (Refer to the "Pilot Adjustment " section).

Convert to propane if desired (Refer to the "SIT Valve Description" section).
- 7) Install standard and optional features. Refer to the following sections where applicable:
 - a. Code Remote Supplied With Unit
 - b. Optional Brick/Enamel Panels
 - c. Log Set Installation
 - d. Standard Flush Door
 - e. Vignette Faceplate/Vignette Finishing Trim
 - f. Louvers & Safety Screen
 - g. Optional Wall Thermostat
 - h. Optional Fan Installation
- 8) Final check.

Before leaving this unit with the customer, the installer must ensure that the appliance is firing correctly and **operation fully explained to customer.**

This includes:

- 1) Clocking the appliance to ensure the correct firing rate (rate noted on label 30,000 Btu/h) after burning appliance for 15 minutes.
- 2) If required, adjusting the primary air to ensure that the flame does not carbon. First allow the unit to burn for 15-20 min. to stabilize.

CAUTION: Any alteration to the product that causes sooting or carboning that results in damage is not the responsibility of the manufacturer.

LOCATING YOUR GAS FIREPLACE

- 1) When selecting a location for your fireplace, ensure that the clearances outlined on this page are met.
- 2) Provide adequate clearances for servicing.
- 3) The appliance must be installed on a flat, solid, continuous surface (e.g. wood, metal, concrete). This may be the floor, or raised up on a platform to enhance its visual impact. If the appliance is going to be installed on carpeting, combustible linoleum tile or other combustible material other than wood flooring, the appliance must be installed on a metal or wood panel extending the full width and depth of the appliance.
- 4) The P36D-10 Direct Vent Gas Fireplace can be installed in a recessed position or framed out into the room as in A, B, C, D. See Diagram 1.

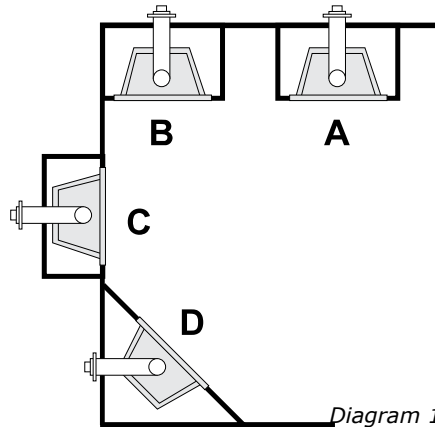


Diagram 1

- A) Flat on Wall
- B) Flat on Wall Corner
- C) Recessed into Wall/Alcove
- D) Corner

- 5) This appliance is Listed for bedroom installations when used with a Listed Millivolt Thermostat. Some areas may have further requirements, check local codes before installation.
- 6) The P36D-10 Direct Vent Gas Fireplace is approved for alcove installations, which meet the clearances listed on the next page.
- 7) We recommend that you plan your installation on paper using exact measurements for clearances and floor protection before actually installing this appliance. Have a qualified inspector, dealer, or installer review your plans before installation.

Note: For vent terminations see "Exterior Vent Termination Location" section.

MANUFACTURED MOBILE HOME ADDITIONAL REQUIREMENTS

- 1) Ensure that structural members are not cut or weakened during installation.
- 2) Ensure proper grounding using the #8 ground lug provided. See "Wiring Diagram" section.



HEATWAVE DUCT SYSTEM (OPTIONAL) #946-556

The **HeatWave** Air Duct Kit increases the effectiveness of your fireplace by dispersing warm air from the fireplace to remote locations in the same room or other rooms in your home.

Up to two kits may be installed on the fireplace. **Please Note:** Only one HeatWave kit may be operated at one time. This includes the internal blower option as well.

CLEARANCES

The clearances listed below are Minimum distances unless otherwise stated:

A major cause of chimney related fires is failure to maintain required clearances (air space) to combustible materials. It is of the greatest importance that this fireplace and vent system be installed only in accordance with these instructions.

Clearance to Combustibles from:

Back	0"	(0mm)
Side	0"	(0mm)
Floor	0"	(0mm)

NOTE: The minimum floor clearance must be maintained from the top surface of the carpeting, tile, etc.

Minimum Clearance from Top of Unit to:

Ceiling from top of unit. 32" (1016mm)

Side Wall Clearances: 6"* (152mm)

* Measured from edge of unit. See Regency® Clearances section for dimensions.

Horizontal Vent Clearances:


Top	2"	(51mm)
Side	1-1/2"	(38mm)
Bottom	1-1/2"	(38mm)

Vertical Vent Clearances 1-1/4" (32mm)

Alcove Clearances:**

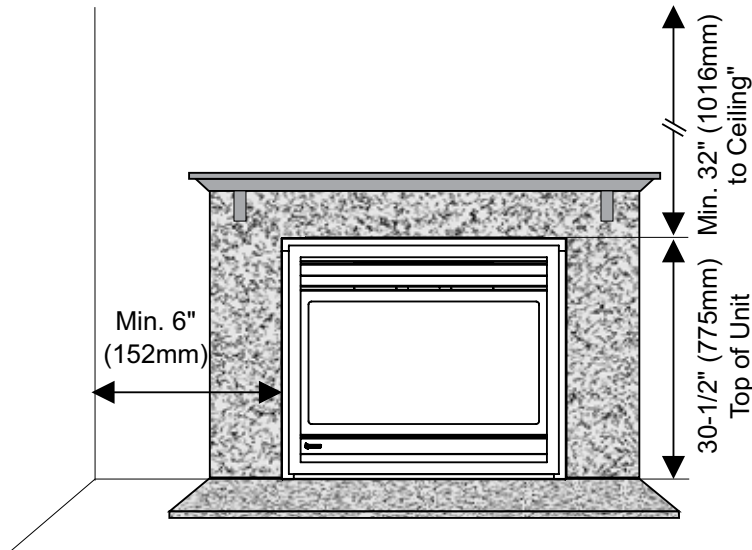
Max. Depth	36"	(914mm)
Min. Width	48"	(1219mm)
Min. Height	72"	(1829mm)

WARNING: Fire hazard is an extreme risk if these clearances are not adhered to.



The **HeatWave** Duct Kit has different clearance and framing requirements, check the **HeatWave** manual for details.

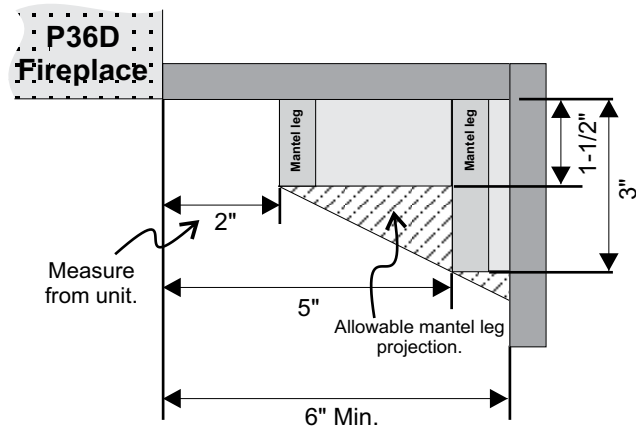
CLEARANCES



MANTEL LEG CLEARANCES

Combustible mantel leg clearances as per diagram:

Maximum 1-1/2" projection at 2" minimum clearance.



COMBUSTIBLE MANTEL CLEARANCES

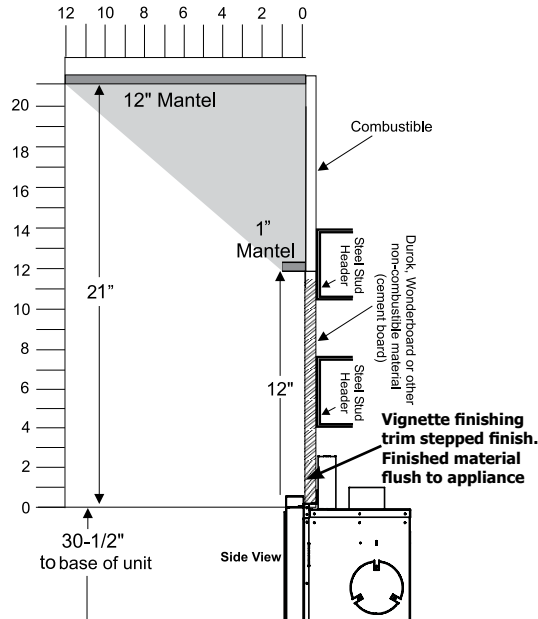
Because of the extreme heat this fireplace emits, the mantel clearances are critical.

Combustible mantel clearances from top of unit are shown in the diagram below.

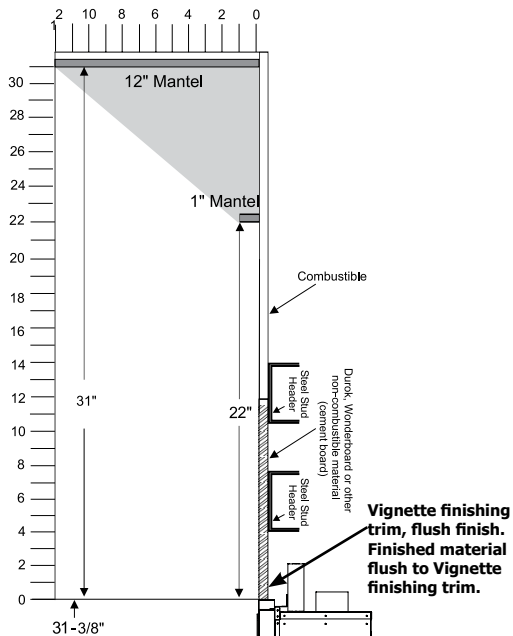
Note: Mantel starts at *1" deep and ends at *12" deep. ****For Vignette with Vignette Finishing Trim flush finish**, all materials (framing & finishing) below the mantel and the width of the Vignette finishing trim, (37 1/2") must be non-combustible if a lower mantel is desired.

Note: Ensure the paint that is used on the mantel and the facing is "heat resistant" or the paint may discolour.

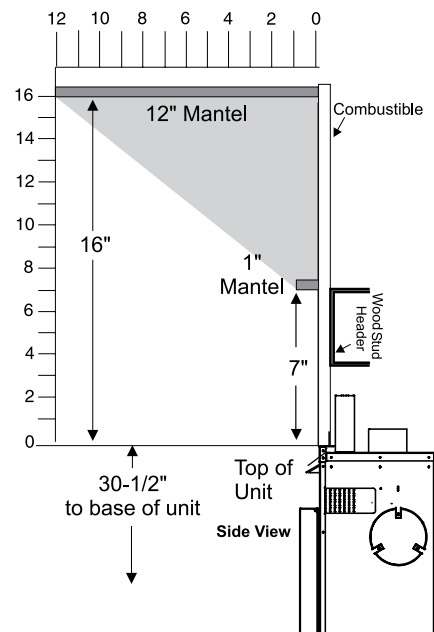
MANTEL CLEARANCES WITH VIGNETTE + VIGNETTE FINISHING TRIM STEPPED FINISH



MANTEL CLEARANCES WITH VIGNETTE + VIGNETTE FINISHING TRIM FLUSH FINISH

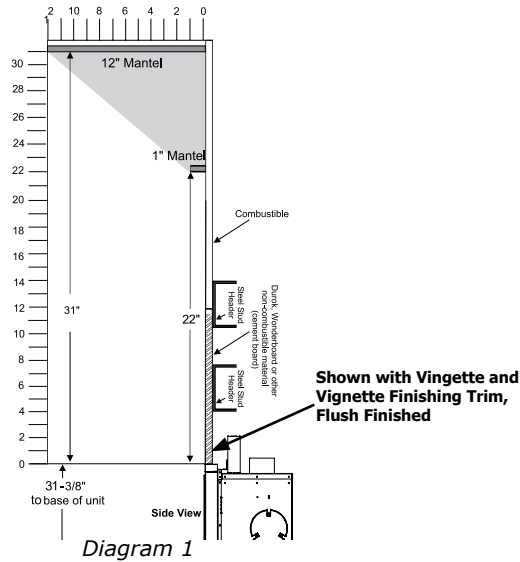


MANTEL CLEARANCES WITH SAFETY SCREEN AND LOUVERS



FRAMING

- 1) Determine the total thickness of facing material (e.g. non combustible plus ceramic tiles) to allow the finished surface to be flush with the front of the unit. Total facing thickness can vary from 1/2" (13mm) to 1-1/4" (32mm) thick with Vignette + Vignette Finishing Trim Stepped Finish and Safety Screen and Louvers. When installing the Vignette + Vignette Finishing Trim Flush Finish the facing thickness is up to 3".
- 2) Add a second steel stud at midpoint for ease of installation/securing the non combustible board. See Diagram 1.

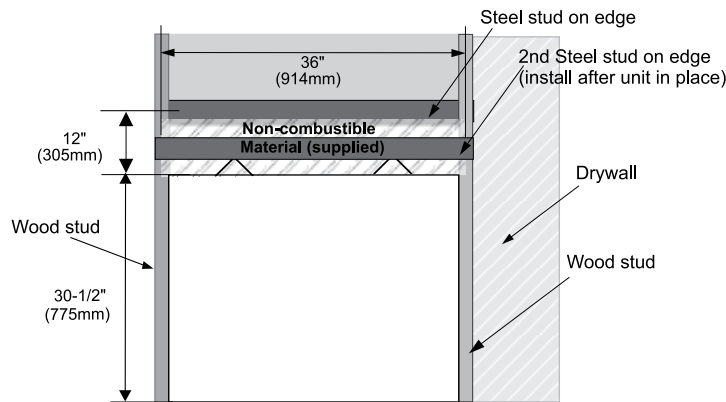


- 3) For exterior walls, insulate the enclosure to the same degree as the rest of the house, apply vapour barrier and drywall, as per local installation codes. **(Do not insulate the fireplace itself.)**
- 4) The top of the unit must not be closer than 32" (813mm) to the ceiling.

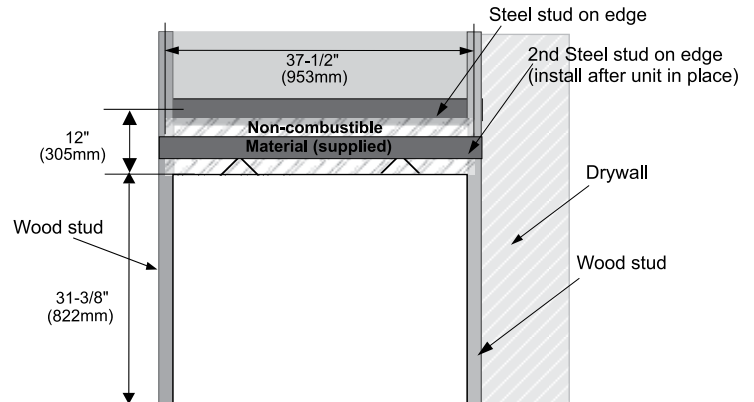
Note: Secure the non-combustible board (supplied) directly above the unit as shown. Install a steel stud directly above the unit as shown to secure the non-combustible material.

Install Side Nailing Strips, Top Facing Support, and Top Standoffs before unit is slipped into position. See the "Unit Assembly Prior to Installation" section for assembly details.

Non-combustible Vignette + Vignette Finishing Trim Stepped Finish



Vignette + Vignette Finishing Trim Flush Finished



NOTE: If using flush louvers and safety screen the steel studs and non-combustible material are not required. Wood studs and drywall may be used. See framing and finishing for details. The non combustible board which is included with the vignette finishing trim is 37-1/2 inches W (953 mm) x 12 inches high (305 mm) x 1/2 (13mm) inch thick. This board will need to be cut to size if choosing the stepped finish option as the board only needs to be 36 inches (914 mm) wide.

FRAMING WITH VIGNETTE FACEPLATE/VIGNETTE FINISHING TRIM, STEPPED FINISH

Frame in the enclosure for the unit with framing material. The framed opening is 40-3/4" high x 36-1/4" wide x 17-3/8" deep (1036mm high x 921mm wide x 441mm deep).

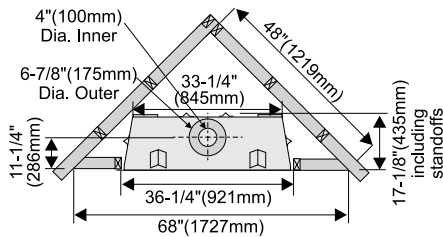


Diagram 1

FRAMING WITH VIGNETTE FACEPLATE & VIGNETTE FINISHING TRIM FINISHED FLUSH

Frame in the enclosure for the unit with framing material. The framed opening is 41-5/8" high x 38" wide x 17-3/8" deep (1057mm high x 965mm wide x 441mm deep).

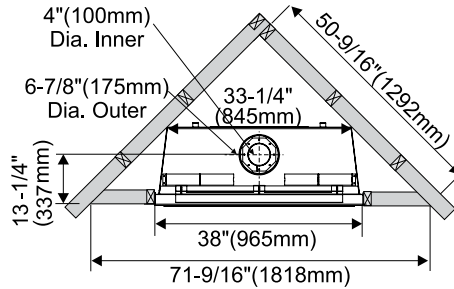


Diagram 3

FRAMING WITH LOUVERS AND SAFETY SCREEN

Frame in the enclosure for the unit with framing material. The framed opening is 37-1/4" high x 36-1/4" wide x 17-3/8" deep (946mm high x 921mm wide x 441mm deep).

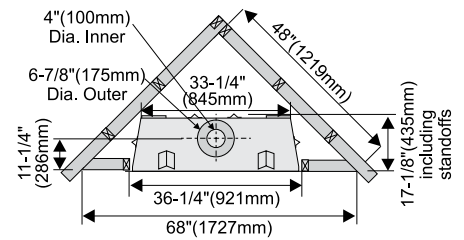


Diagram 5

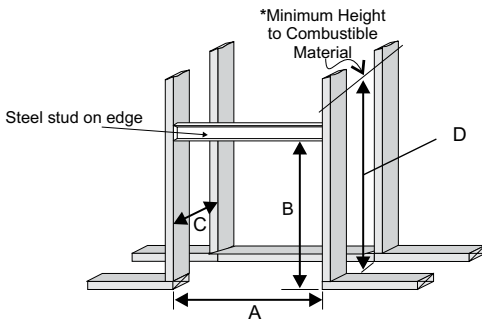


Diagram 2

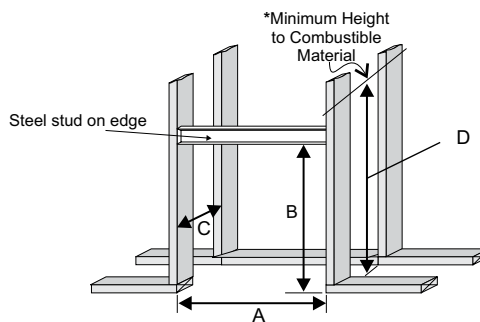


Diagram 4

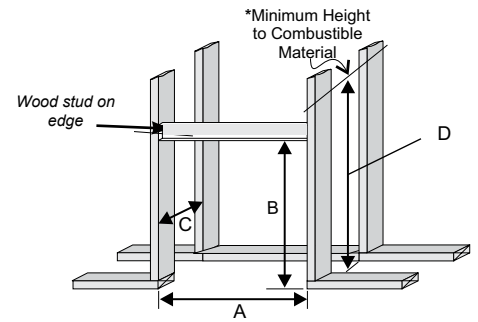


Diagram 6

All other framing may be of combustible materials, i.e. 2 x 4, 2 x 6

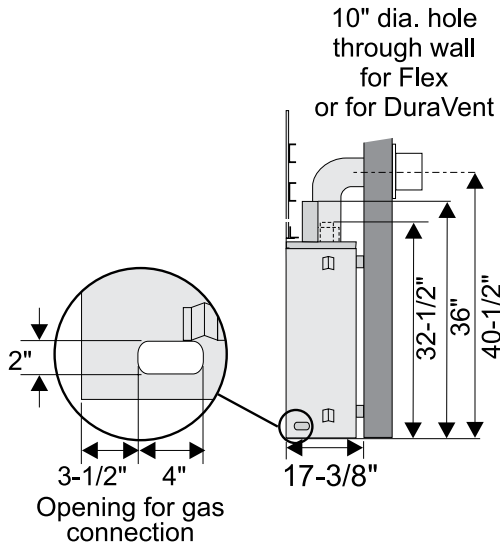
Vignette Framing Dimensions			
A	B	C	D
36-1/4"	40-3/4"	17-3/8"	46"*
921mm	1036mm	441mm	1168mm*
* 'D' is Minimum height to combustible materials including the Minimum 2" (51mm) Top clearance to the Horizontal Vent.			

All other framing may be of combustible materials, i.e. 2 x 4, 2 x 6

Vignette + Finishing Trim - Flush Finish Framing Dimensions			
A	B	C	D
38"	41-5/8"	19-3/8"	46"*
965mm	1057mm	492mm	1168mm*
* 'D' is Minimum height to combustible materials including the Minimum 2" (51mm) Top clearance to the Horizontal Vent.			

Safety Screen + Louvers Framing Dimensions			
A	B	C	D
36-1/4"	37-1/4"	17-3/8"	46"*
921mm	946mm	441mm	1168mm*
* 'D' is Minimum height to combustible materials including the Minimum 2" (51mm) Top clearance to the Horizontal Vent.			

NOTE: If using the optional Vignette finishing trim, this can be installed as a 3-sided or 4 sided finish trim. If choosing to use this as a 4 sided finish trim the framing would need to be increased by 1-1/4" inches minimum in order for this to fit. This must be to the finished floor. (Eg: Diagram 2 B= 40-3/4" framing height + 1-1/4". Bottom of 4-sided finishing trim + 1/2" thick finished floor = 42-1/2".



Note: 40-1/2" (1029mm) is the minimum height for both flex termination or rigid pipe venting.

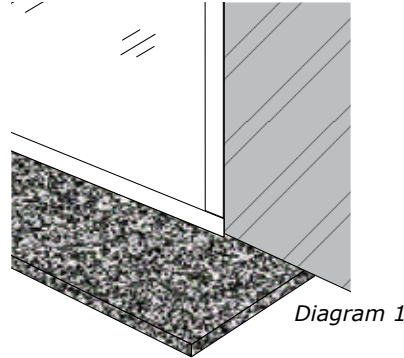
Note: The unit does not have to be completely enclosed in a chase. The clearance on top of the unit is 0" to the standoffs so combustible building materials can be laid directly on top of the standoffs. You must maintain 1-1/2" (38mm) clearance from the vent to combustible materials for flex (1-1/4" for Rigid Pipe).

Use steel studs for framing where the 1-1/2" (38mm) clearance from the vent to combustible material cannot be maintained, e.g. front top header.

FINISHING

IMPORTANT FINISHING DETAIL NOTE:

Before placing unit into final position - it is important to know the total thickness / height of finished hearth (tile, carpet, etc.) The base of the fireplace should be level or higher than the finished hearth height. If finish material is higher than the base this would not meet clearance requirements and the optional accessories will not fit.



Note: All non-combustible and combustible facing material should butt up cleanly to the flanges around the firebox opening.

Rough edges will be visible from the front view with the Vignette faceplate - if not using the optional finishing trim.

To maintain a clean finished edge - it is recommended to install the combustible facing material with the finished edge against the fireplace / nailing strips.

Alternatively, you can use J Style Trim or Metal Corner Bead to cover cut edges of the non-combustible facing material.

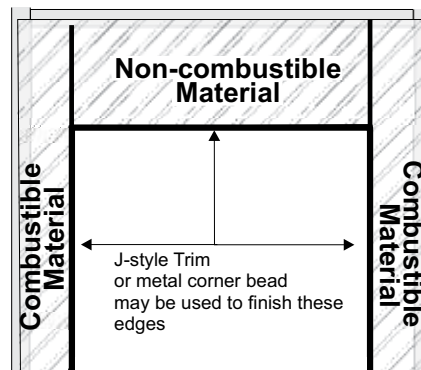


Diagram 2

WALL MOUNT ON / OFF SWITCH AND REMOTE RECEIVER INSTALLATION
Required for all installations - including Proflame remote controls

IMPORTANT INSTALLATION NOTE:

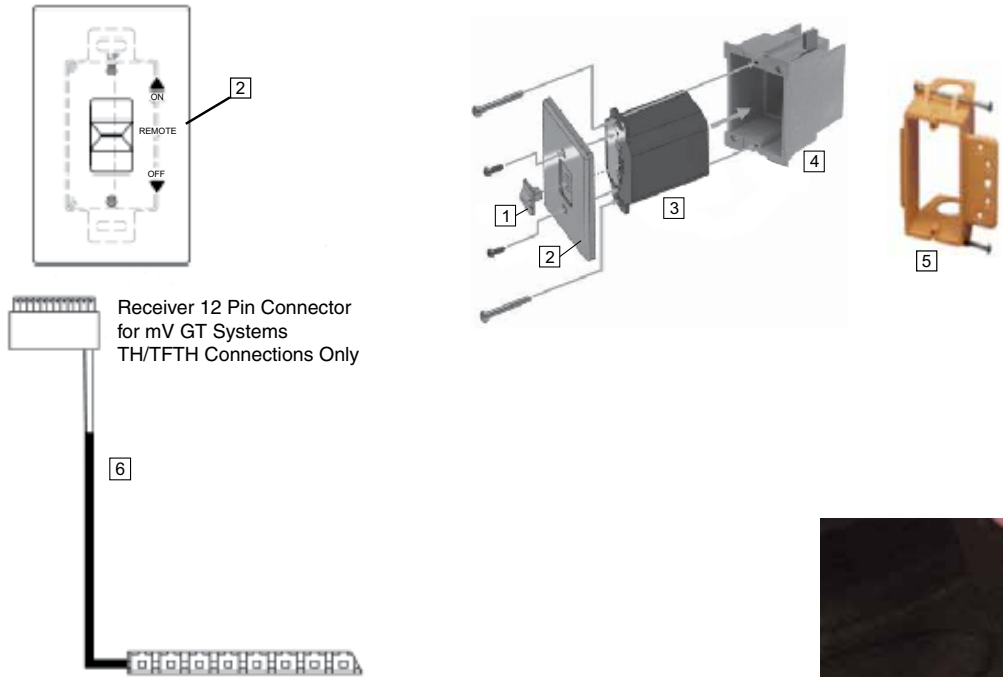
The Receiver must be placed inside the supplied (Low Voltage) junction type wall box and installed into the wall only.

DO NOT INSTALL WITHIN THE CONFINES OF THE FIREPLACE.

Remote Receiver Installation

1. Install the low voltage junction box to the framing, at desired location within 9 ft. (2.7 meters) from fireplace.
2. Feed the 12 pin connector through the opening at back of junction box.
3. Connect the 12 pin connector to the back of the receiver.
4. Install the Receiver in the Low Voltage Junction box.
5. Insert the 4 AA type batteries in the battery compartment with the correct polarity (only required if no fan control module is installed)
6. Place the slider into the cover plate.
7. Put the Receiver switch in the "OFF" position, to allow correct lineup for slider switch.
8. Make sure the Receiver and cover plate words "ON" and "UP" are on the same side.
9. Align the slider with the switch on the Receiver and couple the switch into the slider.
10. Align the screw holes.
11. Using the two (2) screws provided secure the cover plate to the Receiver.

Proflame Receiver



Item	Part No.	Description
1	N/A	Slider Switch (included with wall plate)
2	911-335	Wall Plate - White
	911-343	Wall Plate - Black
3	911-338/P	Remote Receiver
4	N/A	J-Box
5	910-369	Low Voltage Junction Box
6	911-032	Remote Receiver Wire Harness

10 ft. wire harness with 12 pin connector

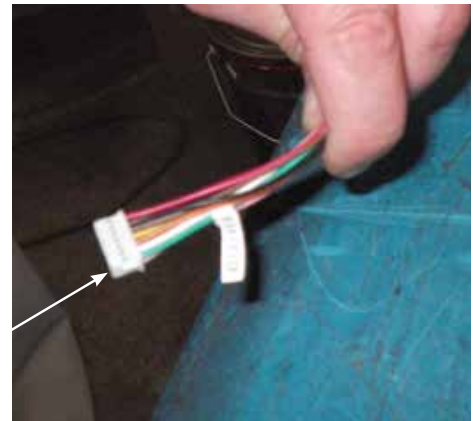


Diagram 1

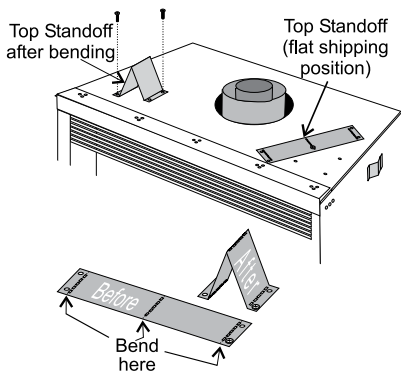
UNIT ASSEMBLY PRIOR TO INSTALLATION

The Top Facing Support, the Side Nailing Strips and the 2 Top Standoffs must be correctly positioned and attached to the top before unit is slipped into position.

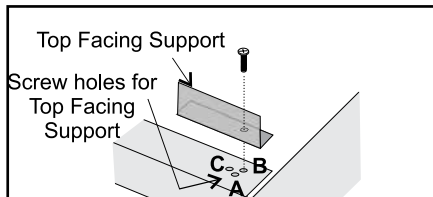
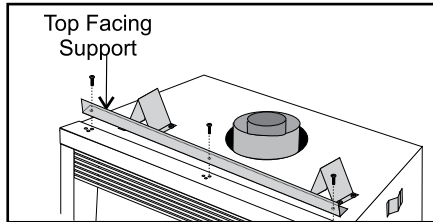
Top Standoff Assembly

The top standoffs are shipped in a flat position and must be folded into shape and attached.

- 1) Remove the standoffs from the fireplace top.
- 2) Take each standoff and bend into the correct shape. Bend up at the bend lines until the screw holes in the standoff and the pre-punched screw holes on the fireplace top line up.
- 3) Attach the standoff securely to the top with 2 screws per standoff (on opposite corners).

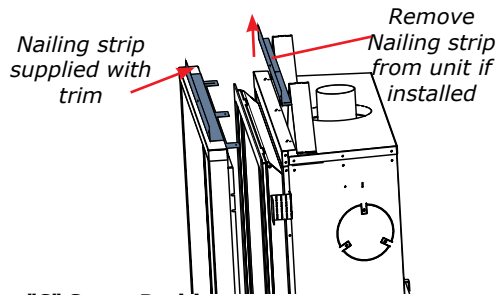


- 1) Mount Top Facing Support using the 3 supplied screws into the three pre-punched screw holes on the top front of the unit. Use hole positions A, B, or C depending on your facing depth.



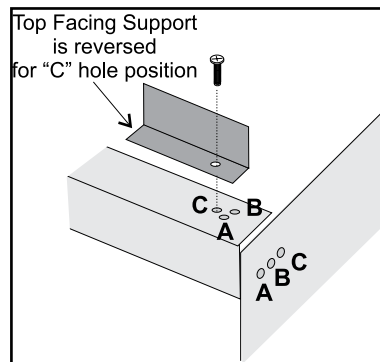
NOTE:

If finishing flush with the Vignette Finishing Trim - remove top nailing strip (facing support) if already installed and use the nailing strip supplied with the Trim.

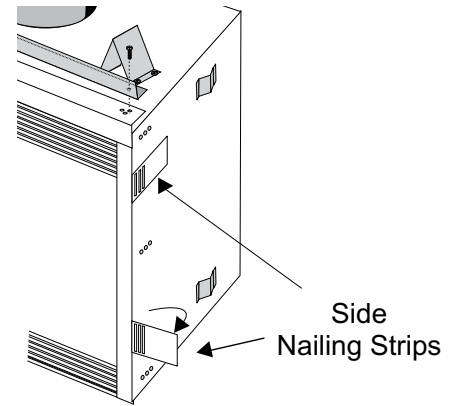


"C" Screw Position:

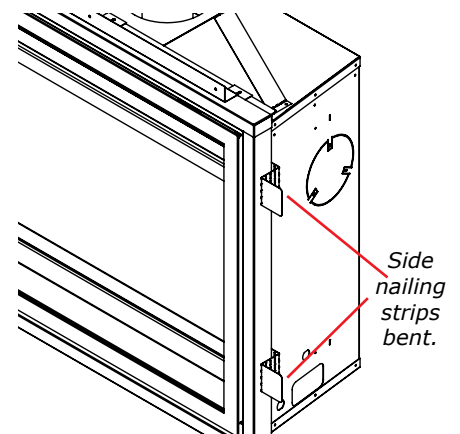
For a facing material depth of 1-1/4" (32mm), the top facing support must be reversed.



- 2) Fold out the two nailing strips on each side.



If finishing flush with the Vignette Finishing Trim - bend nailing strips around side trim pieces as shown below.



NAILING STRIPS

Determine the total thickness of facing material (e.g. non combustible plus ceramic tiles) to allow the finished surface to be flush with the front of the unit. Total facing thickness can vary from 1/2" (13mm) to 1-1/4" (32mm) thick.

The Top Facing Support can be mounted in 3 different positions depending on the thickness of the facing material.

Screw Position	Facing Material Depth
A	1/2" / 13mm
B	7/8" / 22mm
C*	1-1/4" / 32mm

* For "C" screw position the top facing support is reversed.

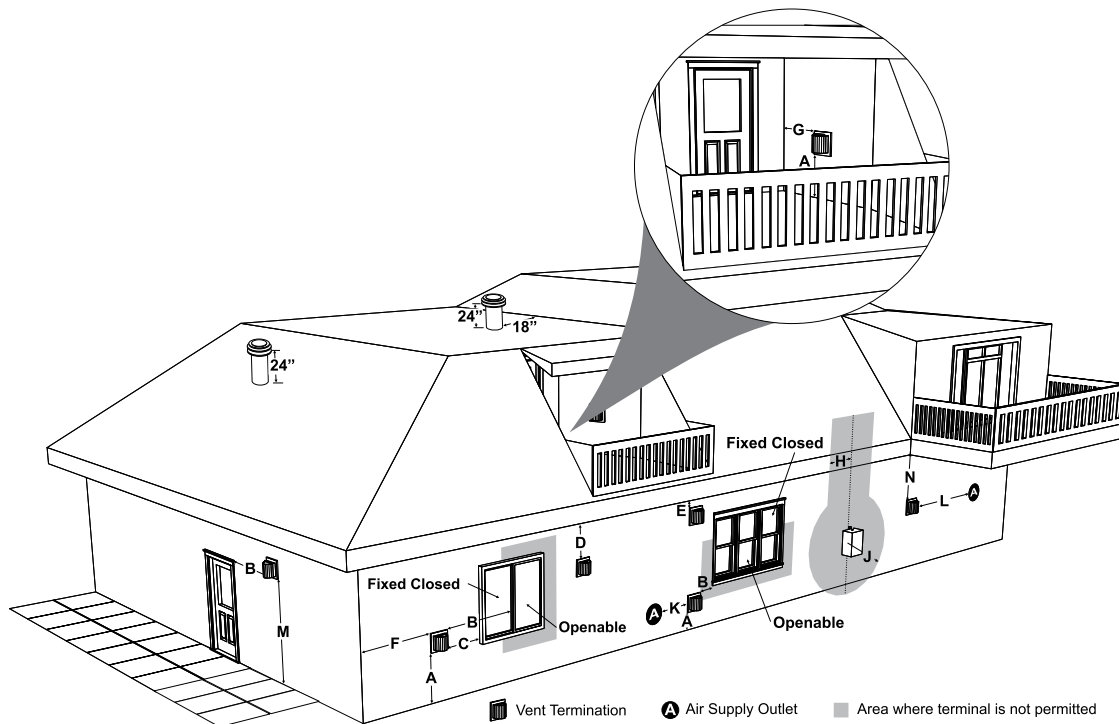
VENTING INTRODUCTION

The P36-10 uses the "balanced flue" technology Co-Axial system. The inner liner vents products of combustion to the outside while the outer liner draws outside combustion air into the combustion chamber thereby eliminating the need to use heated room air for combustion and losing warm room air up the chimney.

Note: These flue pipes must not be connected to any other appliance.

The gas appliance and vent system must be vented directly to the outside of the building, and never be attached to a chimney serving a separate solid fuel or gas burning appliance. Each direct vent gas appliance must use its own separate vent system. Common vent systems are prohibited.

EXTERIOR VENT TERMINATION LOCATIONS



	Minimum Clearance Requirements	Canada ¹	USA ²
A	Clearance above grade, veranda, porch, deck, or balcony	12"(30cm)	12"(30cm)
B	Clearance to window or door that may be opened	12"(30cm)	9" (23cm)
C	Clearance to permanently closed window	*	*
D	Vertical clearance to ventilated soffit located above the terminal within a horizontal distance of 2 feet (61cm) from the center line of the terminal (check with the local code)	18"(46cm)	18"(46cm)
E	Clearance to unventilated soffit	15"(38cm)	15"(38cm)
F	Clearance to outside corner: with AstroCap Termination Cap.	6"(15cm)	6"(15cm)
	Clearance to outside corner: with all other approved Termination Caps.	14"(36cm)	14"(36cm)
G	Clearance to inside corner: with AstroCap Termination Cap	6"(15cm)	6"(15cm)
	Clearance to inside corner: with all other approved Termination Caps.	12"(30cm)	12"(30cm)
H	Clearance to each side of center line extended above meter/regulator assembly	36"(90cm) ^a	*
J	Clearance to service regulator vent outlet	36"(90cm)	*
K	Clearance to non-mechanical air supply inlet to building or the combustion air inlet to any other appliance	12"(30cm)	9" (23cm)
L	Clearance to a mechanical air supply inlet #3' (91cm) above if within 10' (3m) horizontally.	72"(1.8m)	36"(90cm) ^b
M	Clearance above paved sidewalk or a paved driveway located on public property	84"(2.1m) [†]	*
N	Clearance under veranda, porch, deck, or balcony	12"(30cm) [‡]	*

¹ In accordance with current CSA B149.1, *Natural Gas and Propane Installation Code*
² In accordance with the current ANSI Z223.1/NFPA 54, *National Fuel Gas Code*
[†] A vent shall not terminate directly above a sidewalk or paved driveway which is located between two single family dwellings and serves both dwellings.
[‡] Permitted only if veranda, porch, deck, or balcony is fully open on a minimum of two sides beneath the floor.
* Clearance in accordance with local installation codes and the requirements of the gas supplier
^a 3 feet (91cm) within a height of 15 feet (4.5m) above the meter / regulator assembly
^b 3 feet (91cm) above - if within 10 feet (3m) horizontally

VENTING

DIRECT VENT SYSTEM (FLEX) HORIZONTAL TERMINATIONS ONLY

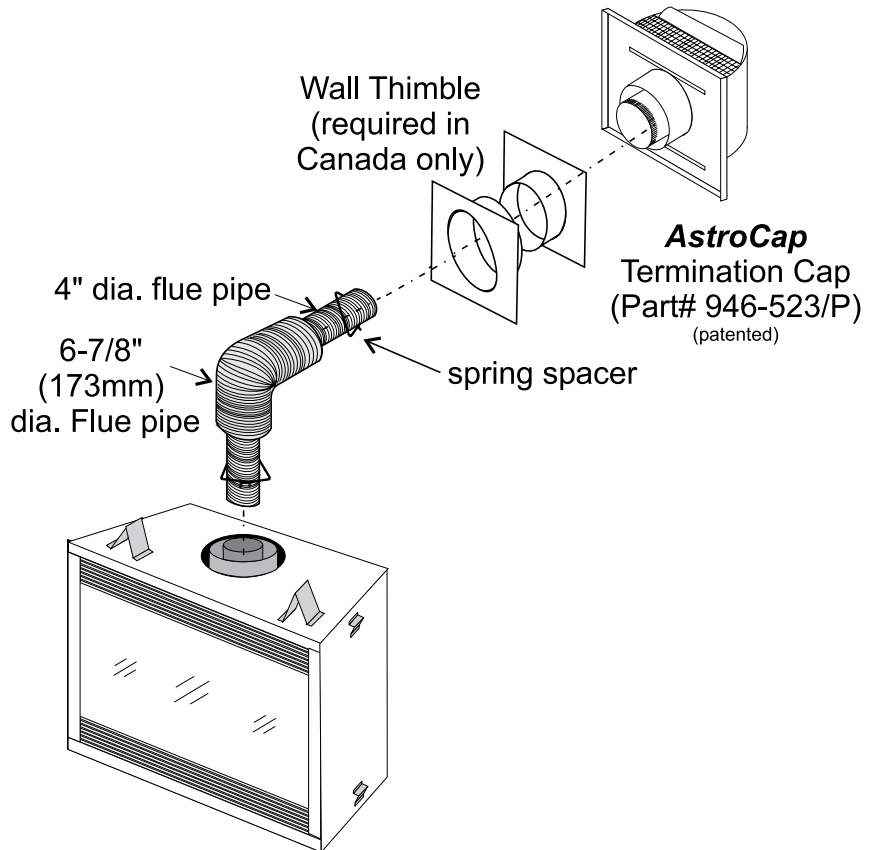
These venting systems, in combination with the P36D-10 Direct Vent Gas Fireplace, have been tested and listed as a direct vent heater system by Intertek. The location of the termination cap must conform to the requirements in the Vent Terminal Locations diagram in the "Exterior Vent Termination Locations" section.

FPI Direct Vent (Flex) System Termination Kit (Part # 946-515) includes all the parts needed to install the P36D with a maximum run of 4 feet.

1)	6-7/8" dia. flexible liner (4 ft. length)
2)	4" dia. flexible liner (4 ft. length)
3)	spring spacers (4)
4)	thimble (2)
5)	AstroCap termination cap (1)
6)	screws (12)
7)	tube of Mill Pac (1)
8)	plated screws (8)
9)	screws #8 x 1-1/2" Drill Point, Stainless Steel (4)

If longer runs are needed, the FPI Direct Vent system (Flex) # 946-516 includes all the parts needed to install the P36D with a maximum 10' run.

1)	6-7/8" dia. flexible liner (10 ft. length)
2)	4" dia. flexible liner (10 ft. length)
3)	spring spacers (7)
4)	thimble (2)
5)	AstroCap termination cap (1)
6)	screws (12)
7)	tube of Mill Pac (1)
8)	plated screws (8)
9)	screws #8 x 1-1/2" Drill Point, Stainless Steel (4)



Notes:

- 1) Liner sections should be continuous without any joints or seams.
- 2) Only Flex pipe purchased from FPI may be used for Flex installations.

4" X 6-5/8" RIGID PIPE CROSS REFERENCE CHART

Components from different Manufacturers may not be mixed. Not All Rigid Pipe components are available directly from FPI.

Description	Simpson Direct Vent Pro®	*Selkirk Direct Temp™	*American Metal Products® Amerivent Direct	*Metal-Fab™ Sure Seal	*Security Secure- Vent®	*ICC Excel Direct	*Olympia Ventis DV*
6" Pipe Length-Galvanized	46DVA-06	4DT-06	N/A	4D6	SV4L6	TC-4DL6	VDV-0406
6" Pipe Length-Black	46DVA-06B	4DT-06B	N/A	4D6B	SV4LB6	TC-4DL6B	VDVB-0406
7" Pipe Length-Galvanized	N/A	N/A	4D7	N/A	N/A	N/A	N/A
7" Pipe Length-Black	N/A	N/A	4D7B	N/A	N/A	N/A	N/A
9" Pipe Length-Galvanized	46DVA-09	4DT-09	N/A	N/A	N/A	TC-4DL9	VDV-0409
9" Pipe Length-Black	46DVA-09B	4DT-09B	N/A	N/A	N/A	TC-4DL9B	VDVB-0409
12" Pipe Length-Galvanized	46DVA-12	4DT-12	4D12	4D12	SV4L12	TC-4DL1	VDV-0412
12" Pipe Length-Black	46DVA-12B	4DT-12B	4D12B	4D12B	SV4LB12	TC-4DL1B	VDVB-0412
18" Pipe Length-Galvanized	46DVA-18	4DT-18	4D18	4D18	SV4LA	TC-4DL18	VDV-0418
18" Pipe Length-Black	46DVA-18B	4DT-18B	4D18B	4D18B	SV4LA	TC-4DL18B	VDVB-0418
24" Pipe Length-Galvanized	46DVA-24	4DT-24	4D24	4D24	SV4L24	TC-4DL2	VDV-0424
24" Pipe Length-Black	46DVA-24B	4DT-24B	4D24B	4D24B	SV4LB24	TC-4DL2B	VDVB-0424
36" Pipe Length-Galvanized	46DVA-36	4DT-36	4D36	4D36	SV4L36	TC-4DL3	VDV-0436
36" Pipe Length-Black	46DVA-36B	4DT-36B	4D36B	4D36B	SV4LB36	TC-4DL3B	VDV-0436
48" Pipe Length-Galvanized	46DVA-48	4DT-48	4D48	4D48	SV4L48	TC-4DL4	VDV-0448
48" Pipe Length-Black	46DVA-48B	4DT-48B	4D48B	4D48B	SV4LB48	TC-4DL4B	VDVB-0448
60" Pipe Length-Galvanized	46DVA-60	4DT-60	N/A	N/A	N/A	N/A	N/A
60" Pipe Length-Black	46DVA-60B	4DT-60B	N/A	N/A	N/A	N/A	N/A

Adjustable Length 3"-10"-Galvanized	N/A	N/A	N/A	4DAL	N/A	TC-4DLT	N/A
Adjustable Length 3"-10"-Black	N/A	N/A	N/A	4DALB	N/A	TC-4DLTB	N/A
Adjustable Length 7"-Galvanized	N/A	N/A	4D7A	N/A	N/A	N/A	N/A
Adjustable Length 7"-Black	N/A	N/A	4D7AB	N/A	N/A	N/A	N/A
Extension Pipe 8-1/2"-Galvanized	46DVA-08A	N/A	N/A	N/A	N/A	N/A	N/A
Extension Pipe 8-1/2"-Black	46DVA-08AB	N/A	N/A	N/A	N/A	N/A	N/A
Adjustable Length 12"-Galvanized	N/A	N/A	4D12A	N/A	SV4LA12	TC-4dLSI	N/A
Adjustable Length 12"-Black	N/A	N/A	4D12A	N/A	SV4LBA12	TC-4dLSIB	N/A
Extension Pipe 16"-Galvanized	46DVA-16A	N/A	N/A	N/A	N/A	N/A	N/A
Extension Pipe 16"-Black	46DVA-16AB	N/A	N/A	N/A	N/A	N/A	N/A

45° Elbow-Galvanized	46DVA-E45	4DT-EL45	4D45L	N/A	N/A	TE-4DE45	VDV-EL0445
45° Elbow-Black	46DVA-E45B	4DT-EL45B	4DT-EL45B	N/A	N/A	TE-4DE45B	VDVB-EL0445
45° Elbow Swivel-Galvanized	See 46DVA-E45	N/A	N/A	4D45L	SV4E45	N/A	N/A
45° Elbow Swivel-Black	See 46DVA-E45B	N/A	N/A	4D45LB	SV4EB45	N/A	N/A
90° Elbow-Galvanized	46DVA-E90	4DT-EL90S	4DT-EL90S	N/A	N/A	TE-4DE90	VDV-EL0445
90° Elbow-Black	46DVA-E90B	4DT-EL90SB	4DT-EL90SB	N/A	SV4EB90-1	TE-4DE90B	VDVB-EL0445
90° Elbow, Swivel-Galvanized	See 46DVA-E90	N/A	N/A	4D90L	SV4E90-1	N/A	N/A
90° Elbow, Swivel-Black	See 46DVA-E90B	N/A	N/A	4D90LB	SV4EB90-1	N/A	N/A
90° Starter Elbow, Swivel-Galvanized	N/A	N/A	N/A	4D90A	N/A	N/A	N/A
Adaptor*	N/A	N/A	N/A	4D90L	N/A	N/A	VDV-UAA04

Ceiling Support	N/A	4DT-CS	4DSP	4DFSP	SV4SD	TM4-RDS	VDV-SCR04
Cathedral Support Box	46DVA-CS	4DT-CSS	4DRSB	4DRS	SV4CSB	TM4-SDS	VDV-CSS04
Wall Support/Band	46DVA-WS	4DT-WS/B	4DWS	4DWS	SV4BM	TM-SWS	VDV-WS04
Offset Support	46DVA-ES*	4DT-OS	N/A	N/A	SV4SU	TM-SOS	N/A
Wall Thimble	46DVA-WT	4DT-WT	4DWT	4DWT	SV4RSM	N/A	VDV-WPT04
Wall Thimble Cover/Ceiling Support	46DVA-DC	N/A	N/A	N/A	SV4PF	N/A	N/A
Firestop Spacer	46DVA-FS	4DT-FS	4DFSP	4DFS	SV4BF	TM-4CS	VDV-FS04
Trim Plate-Black	N/A	4DT-TPS	4DFPB	4DcP	SV4LA	TM-4TP	VDV-WTC04

* Not available from Regency

Description	Simpson Direct Vent Pro®	*Selkirk Direct Temp™	*American Metal Products® Amerivent Direct	*Metal-Fab™ Sure Seal	*Security Secure- Vent®	*ICC Excel Direct	*Olympia Ventis DV*
Attic Insulation Shield 12"	46DVA-IS	N/A	4DAIS12	DDIS	SV4RSA	N/A	VDV-AIS04
Attic Insulation Shield - Cold Climates 36"	N/A	N/A	4DAIS12	N/A	N/A	TM-4AS	N/A

Basic Horizontal Termination Kit (A)	4DVA-KHA	4DT-HKA	4DHTK2	4DHTKA	SV-SHK	TM4-HTK	VDV-KW04
Horizontal Termination Kit (B)	N/A	4DT-HKB	4DHTK1	4DHTKB	SV-HK	TM4-HTK	VDV-K04
Vertical Termination Kit	N/A	4DT-VKC	4DHTK	4DHTK	SV-FK	N/A	N/A

High Wind Vertical Cap	46DVA-VCH	4DT-VC	N/A	N/A	N/A	TM-4VT	VDV-VCHW04
High Wind Horizontal Cap	N/A	N/A	N/A	N/A	N/A	TM-4DHT	N/A
Horizontal Square Termination Cap	46DVA-HC	4DT-AHC	4DHC	4DHT	SV4CHC-1	TM-4HT	VDV-HC04
Vertical Termination Cap	46DVA-VC	4DT-HVC	4DVC	4DVT	SV4CGV-1	N/A	N/A
Storm Collar	46DVA-SC	4DT-SC	4DSC	4DSC	SV4FC	TM-SC	VDV-SC04

Flashing - Flat Roof	46DVA-FF	N/A	N/A	N/A	N/A	N/A	N/A
Adjustable Flashing 0/12-6/12	46DVA-F6	4DT-AF6	4D12S	4DF	SV4STC14	TF-4FA	VDV-F0406
Adjustable Flashing 6/12-12/12	46DVA-F12	4DT-AF12	4D36S	4DF12	SV4STC36	TF-4FB	VDV-SSO

Vinyl Siding Standoff	46DVA-VSS	4DT-VS-1	N/A	4DVS	SV4VS	TM-VSS	N/A
Vinyl Siding Shield Plate	N/A	4DT-VSP	N/A	N/A	SV4VS	N/A	N/A

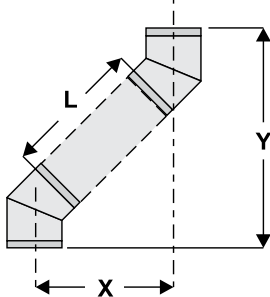
Snorkel Termination 14"	46DVA-SNK14	4DT-ST14	N/A	N/A	N/A	TM-4ST14	N/A
Snorkel Termination 36"	*46DVA-SNK36	4DT-ST36	N/A	N/A	N/A	TM-4ST36	N/A

Wall Firestop	46DVA-FS*	N/A	N/A	N/A	N/A	TM-4TR	VDV-FS04
---------------	-----------	-----	-----	-----	-----	--------	----------

* Not available from Regency

946-506/P	Vent Guard (Optional) for AstroCap	946-205	Vinyl Siding Shield for Riser Vent Terminal
**510-994	Rigid Pipe Adaptor (Must use with all rigid piping)	946-208/P	Vent Guard (Optional) for Riser Vent Terminal
640-530/P	Riser Vent Terminal	946-523/P	AstroCap Horizontal Cap
		946-206	Vinyl Siding Standoff for AstroCap

Note: When using Metal-Fab Sure Seal Rigid Piping - please note that the Adaptor (4DDA) must be used in conjunction with FPI Rigid Pipe Adaptor (510-994).

Offset Pipe Selection: Use this table to determine offset pipe lengths.				For specific instructions on venting components - visit the manufacturers website listed below. Simpson Direct Vent Pro: www.duravent.com Selkirk Direct-Temp: www.selkirkcorp.com American Metal Products: www.americanmetalproducts.com Metal-Fab Sure Seal: www.mtfab.com Security Secure Vent: www.securitychimneys.com Industrial Chimney Company: www.icc-rsf.com Olympia Ventis DV: www.olympiachimney.com
Pipe Length (L)	4" x 6-5/8" Venting			
	Run (X)	Rise (Y)		
0" (0mm)	4-7/8" (124mm)	13-7/8" (340mm)		
6" (152mm)	8" (203mm)	16-1/2" (419mm)		
9" (229mm)	10-1/8" (257mm)	18-5/8" (473mm)		
12" (305mm)	12-1/4" (311mm)	20-3/4" (527mm)		
24" (610mm)	20-5/8" (524mm)	29-1/8" (740mm)		
36" (914mm)	29" (737mm)	37-1/2" (953mm)		
48" (1219mm)	37-7/16" (951mm)	45-15/16" (1167mm)		

Note: Horizontal runs of vent must be level, or have a 1/4" rise for every 1 foot of run towards the termination. Never allow the vent to run downward - this could cause high temperatures and may present a possible fire hazard.

RIGID PIPE VENTING SYSTEMS

Horizontal or Vertical Terminations

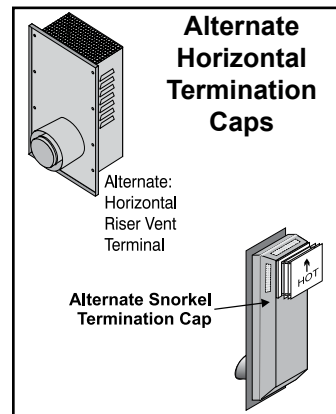
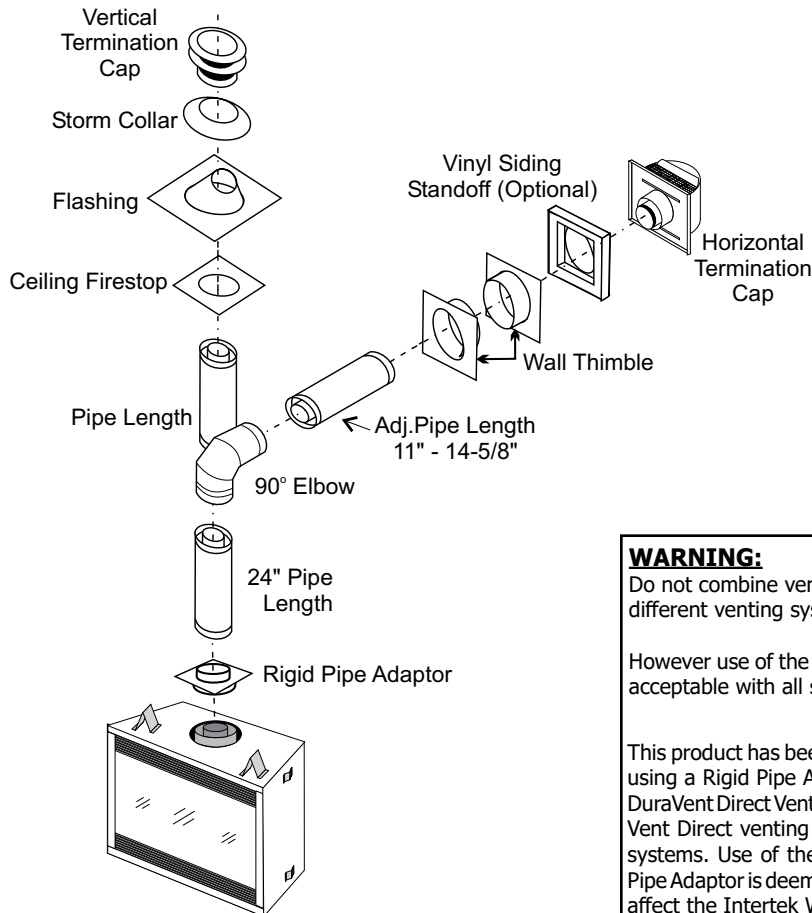
The minimum components required for a basic horizontal termination are:

- 1 Horizontal Termination Cap
- 1 90° Elbow
- 1 Rigid Pipe Adaptor
- 1 Wall Thimble
- 1 Length of pipe to suit wall thickness (see chart)

Wall thickness is measured from the back standoffs to the inside mounting surface of termination cap. For siding other than vinyl furring strips may be used, instead of the vinyl siding standoff, to create a level surface to mount the vent terminal. The Terminal must not be recessed into siding. Measure the wall thickness including furring strips.

If a Vinyl Siding Standoff is required (it must be used with vinyl siding), measure to outside surface of wall without siding and add 2 inches.

Flat Wall Installation	
Wall Thickness (inches)	Vent Length Required (inches)
4" - 5-1/2"	6"
7" - 8-1/2"	9"
10" - 11-1/2"	12"
9" - 14-1/2"	11" - 14-5/8" Adj. Pipe
15" - 23-1/2"	17" - 24" Adj. Pipe
Corner Installation	
Wall Thickness (inches)	Vent Length Required (inches)
3-1/4" - 6-3/4"	11" - 14-5/8" Adj. Pipe
7-3/4" - 16-1/4"	17" - 24" Adj. Pipe
7-1/4" - 8-3/4"	6" + 12" 9" + 9"
4-1/4" - 5-3/4"	6" + 9"



WARNING:
Do not combine venting components from different venting systems.
However use of the AstroCap™ and FPI Riser is acceptable with all systems.

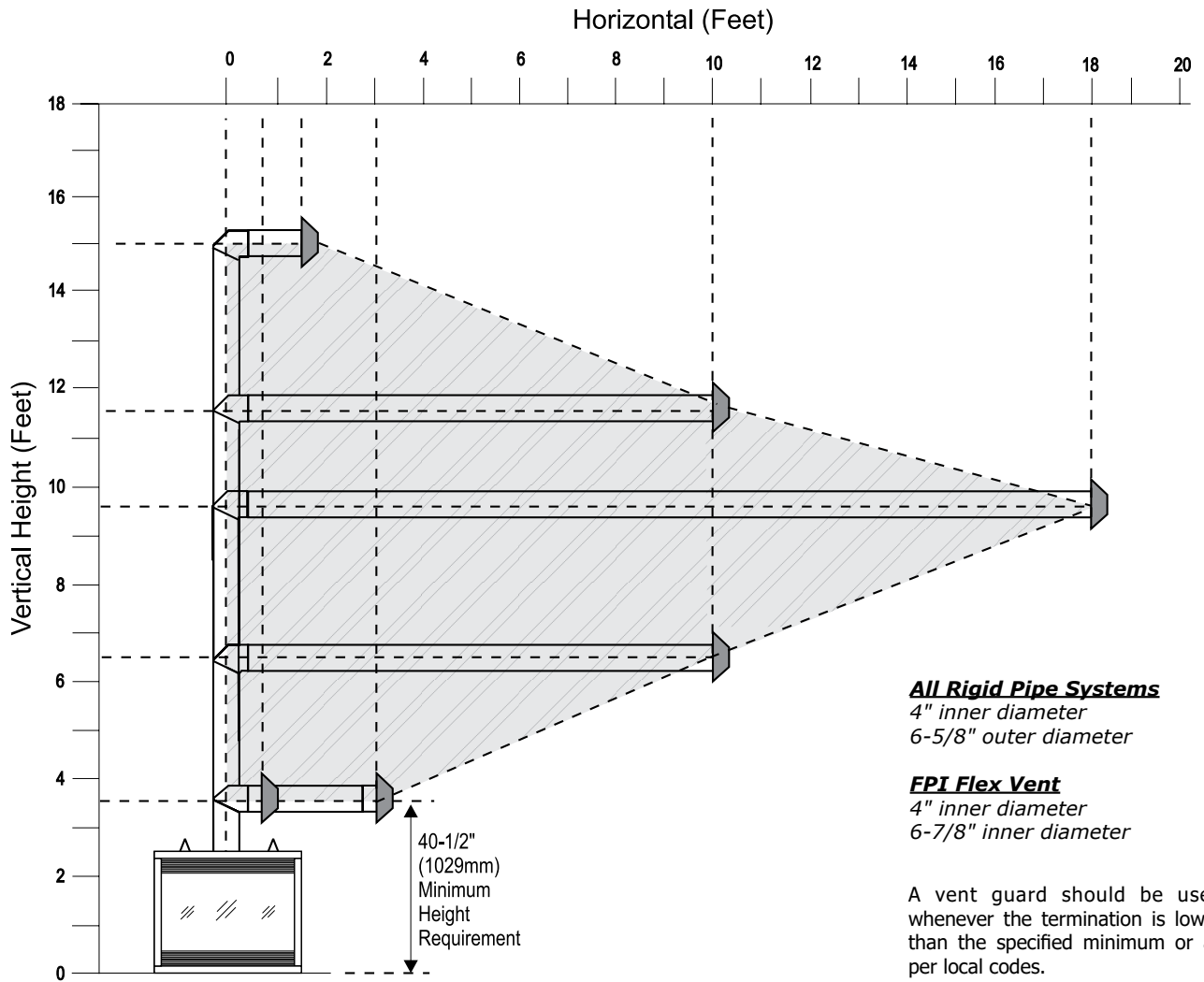
This product has been evaluated by Intertek for using a Rigid Pipe Adaptor in conjunction with DuraVent Direct Vent, Selkirk Direct-Temp, Ameri Vent Direct venting and Security Secure Vent systems. Use of these systems with the Rigid Pipe Adaptor is deemed acceptable and does not affect the Intertek WHI listing of components.

The FPI AstroCap™ and FPI Riser Vent terminal are certified for installations using FPI venting systems as well as Simpson Dura-Vent® Direct Vent , American Metal Products, Security Secure Vent®, AmeriVent Direct Vent. AstroCap™ is the proprietary trademark of FPI Fireplace Products International Ltd. Dura-Vent® and Direct Vent are registered and/or proprietary trademarks of Simpson Dura-Vent Co. Inc.

VENTING ARRANGEMENTS - HORIZONTAL TERMINATION
RIGID PIPE AND FPI DIRECT VENT SYSTEM (FLEX)
(Propane & Natural Gas)

The diagram shows all allowable combinations of vertical runs with horizontal terminations, using one 90° elbow (two 45° elbows equal one 90° elbow).

Note: Must use optional rigid pipe adaptor (Part # 510-994) when using Rigid Pipe venting systems.



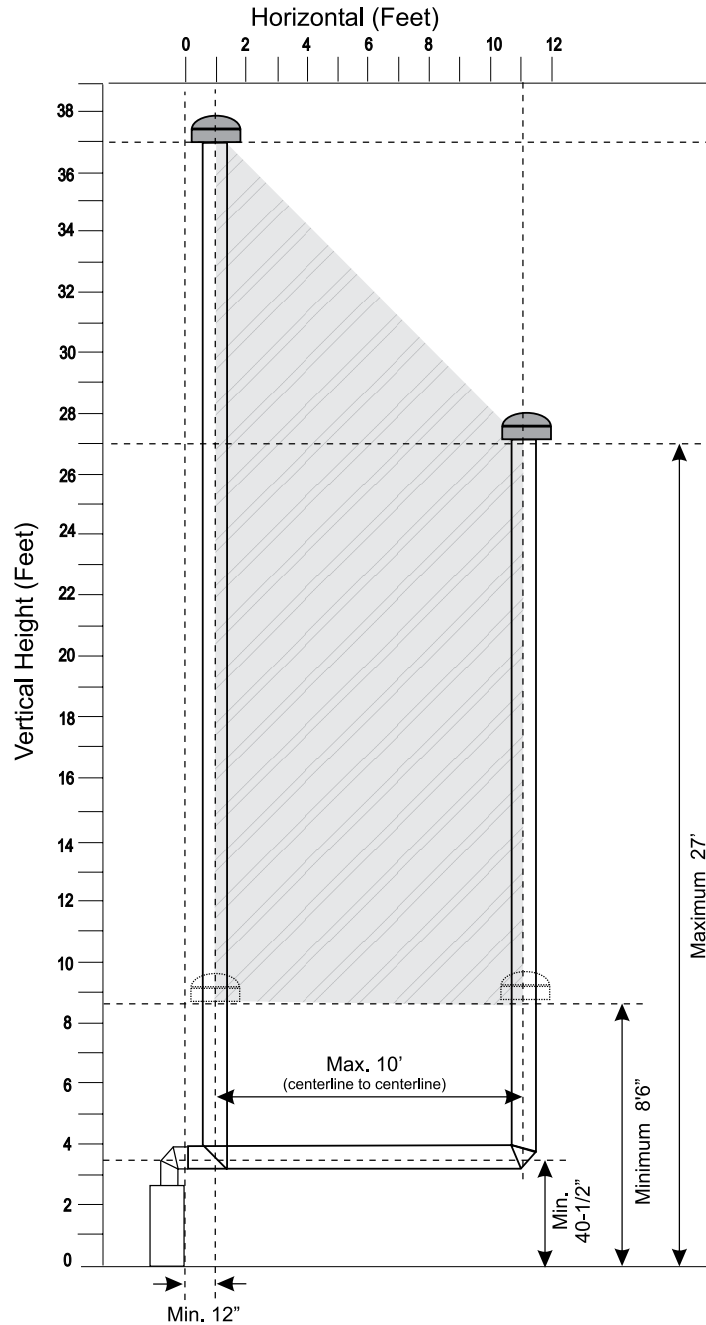
Note: FPI Direct Vent Flex System Part #'s 946-515 and 946-516 are only approved for horizontal terminations.

- Maintain clearances to combustibles.
- Horizontal vent must be supported every 3 feet.
- Firestops are required at each floor level and whenever passing through a wall.

**VENTING ARRANGEMENTS - VERTICAL TERMINATION
RIGID PIPE SYSTEM**

(Propane & Natural Gas)

The shaded area in the diagram shows all allowable combinations of straight vertical and offset to vertical terminations, using two 90° elbow, with **rigid pipe** vent systems for Propane and Natural Gas.



- Vent must be supported at offsets.
- Firestops are required at each floor level and whenever passing through a wall.
- Maintain clearances to combustibles.

Note: Must use optional rigid pipe adaptor when using rigid vent systems (Part # 510-994).

The P36D-10 is approved for a 40 ft. straight vertical, with **rigid pipe** vent systems for Propane and Natural Gas, as per the diagram 1.

The shaded area in the diagram 1 shows all allowable combinations of straight vertical and offset to vertical terminations with **rigid pipe** vent systems for Propane and Natural Gas. Maximum two 45° elbows allowed.

- **Vent must be supported at offsets**
- **Firestops are required at each floor level and whenever passing through a wall.**
- **Maintain clearances to combustibles.**

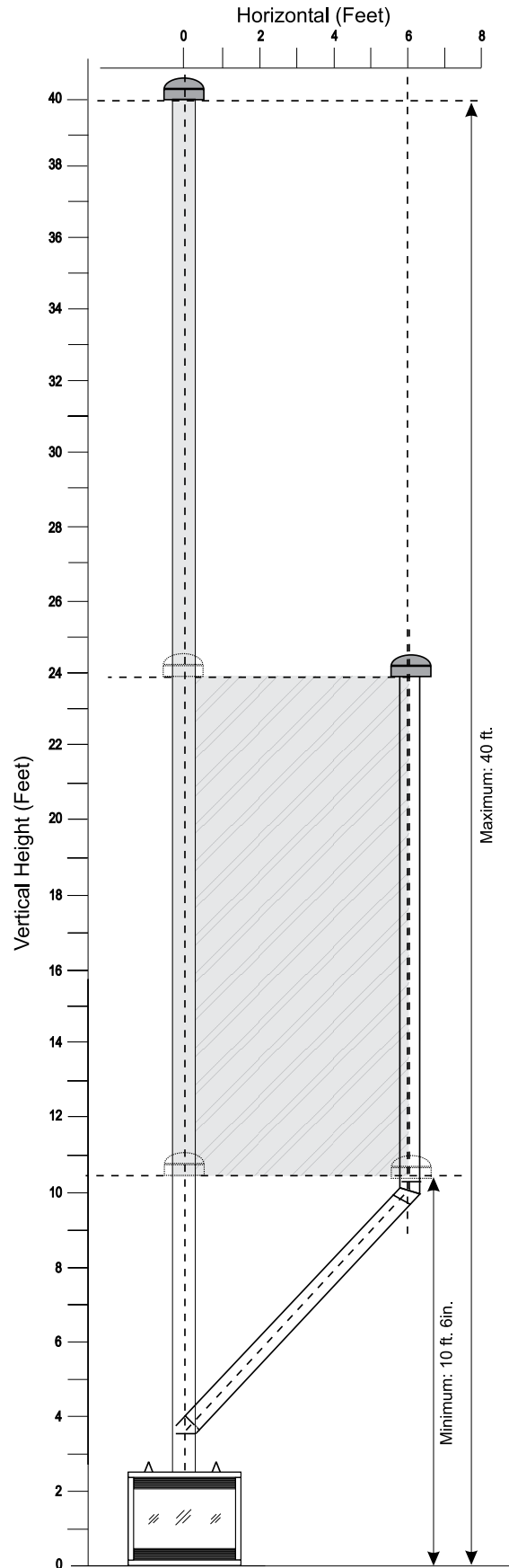
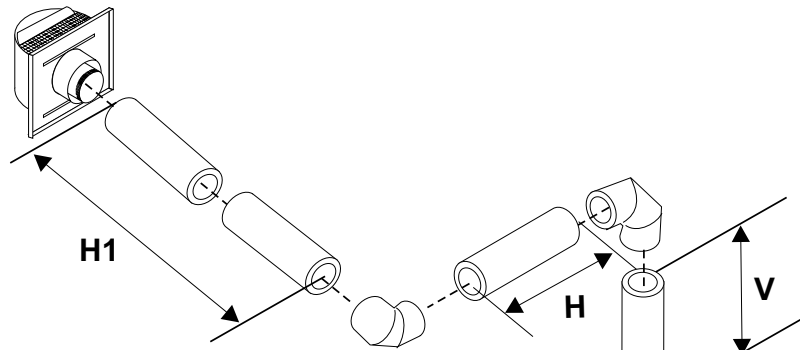


Diagram 1

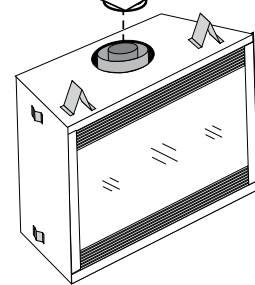
HORIZONTAL VENTING WITH TWO (2) 90° ELBOWS



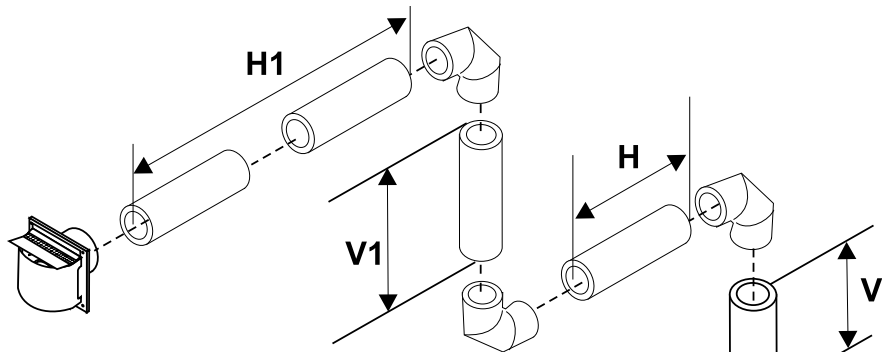
One 90° elbow = Two 45° elbows.

Option	V	H + H1	With these options, maximum total pipe length is 30 feet with minimum of 6 feet total vertical and maximum 8 feet total horizontal. Please note minimum 1 foot between 90° elbows is required.
A)	0' Min.	2' Max.	
B)	1' Min.	3' Max.	
C)	2' Min.	4' Max.	
D)	3' Min.	5' Max.	
E)	4' Min.	6' Max.	
F)	5' Min.	7' Max.	
G)	6' Min.	8' Max.	

Lengths do not include elbow indicated.



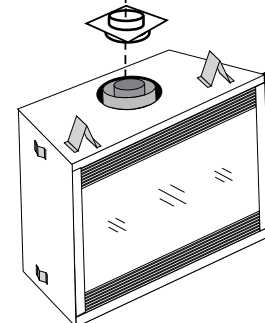
HORIZONTAL VENTING WITH THREE (3) 90° ELBOWS



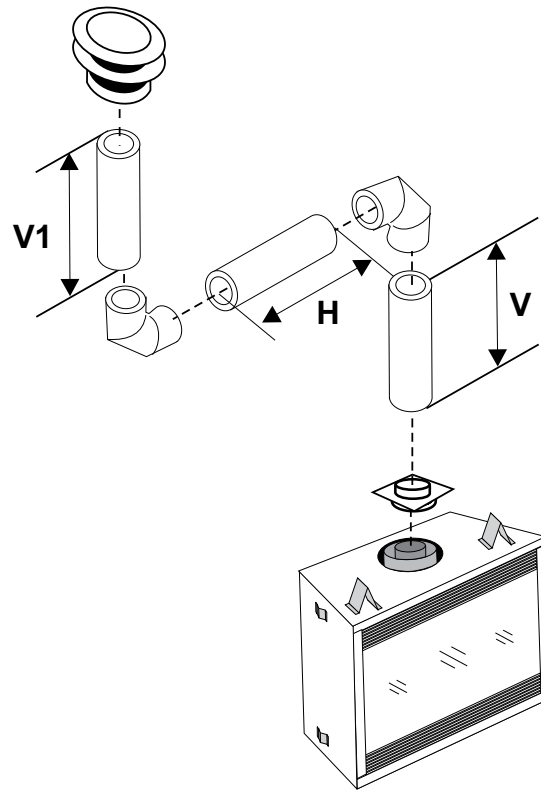
One 90° elbow = Two 45° elbows.

Option	V	H	V + V1	H + H1	With these options, max. total pipe length is 30 feet with min. of 12 feet total vertical and max. 9 feet total horizontal. Please note min. 1 foot between 90° elbows is required.
A)	0' Min.	1' Max.	1' Min.	2' Max.	
B)	1' Min.	2' Max.	3' Min.	3' Max.	
C)	2' Min.	2' Max.	5' Min.	4' Max.	
D)	3' Min.	2' Max.	7' Min.	5' Max.	
E)	4' Min.	3' Max.	9' Min.	6' Max.	
F)	5' Min.	4' Max.	10' Min.	7' Max.	
G)	6' Min.	5' Max.	11' Min.	8' Max.	
H)	7' Min.	6' Max.	12' Min.	9' Max.	

Lengths do not include elbow indicated.



VERTICAL VENTING WITH TWO (2) 90° ELBOWS

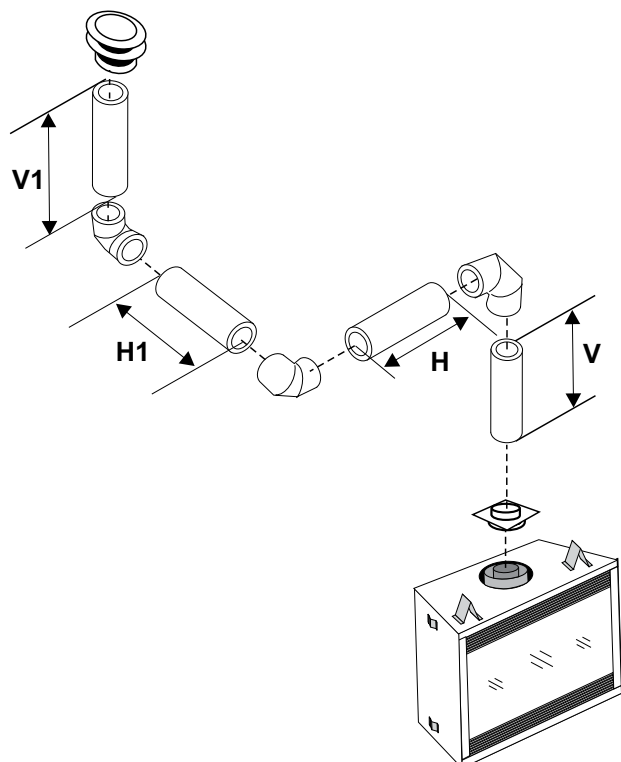


One 90° elbow = Two 45° elbows.

Option	V	H	V + V1	With these options, max. total pipe length is 30 feet with min. of 7 feet total vertical and max. 8 feet total horizontal. Please note min. 1 foot between 90° elbows is required.
A)	0' Min.	2' Max.	1' Min.	
B)	1' Min.	4' Max.	3' Min.	
C)	2' Min.	5' Max.	4' Min.	
D)	3' Min.	6' Max.	5' Min.	
E)	4' Min.	7' Max.	6' Min.	
F)	5' Min.	8' Max.	7' Min.	

Lengths do not include elbow indicated.

VERTICAL VENTING WITH THREE (3) 90° ELBOWS



One 90° elbow = Two 45° elbows.

Option	V	H + H1	V + V1	With these options, max. total pipe length is 30 feet with min. of 10 feet total vertical and max. 8 feet total horizontal. Please note min. 1 foot between 90° elbows is required.
A)	0' Min.	2' Max.	2' Min.	
B)	1' Min.	2' Max.	3' Min.	
C)	2' Min.	3' Max.	4' Min.	
D)	3' Min.	4' Max.	6' Min.	
E)	4' Min.	5' Max.	7' Min.	
F)	5' Min.	6' Max.	8' Min.	
G)	6' Min.	7' Max.	9' Min.	
H)	7' Min.	8' Max.	10' Min.	

Lengths do not include elbow indicated.

VERTICAL TERMINATION WITH CO-LINEAR FLEX SYSTEM INTO A MASONRY CHIMNEY

THE APPLIANCE MUST NOT BE CONNECTED TO A CHIMNEY FLUE SERVING A SEPARATE SOLID FUEL BURNING APPLIANCE.

This appliance is designed to be attached to two 3" (76mm) co-linear aluminium flex running the full length of the chimney. See the Venting Arrangements on next page for minimum and maximum heights.

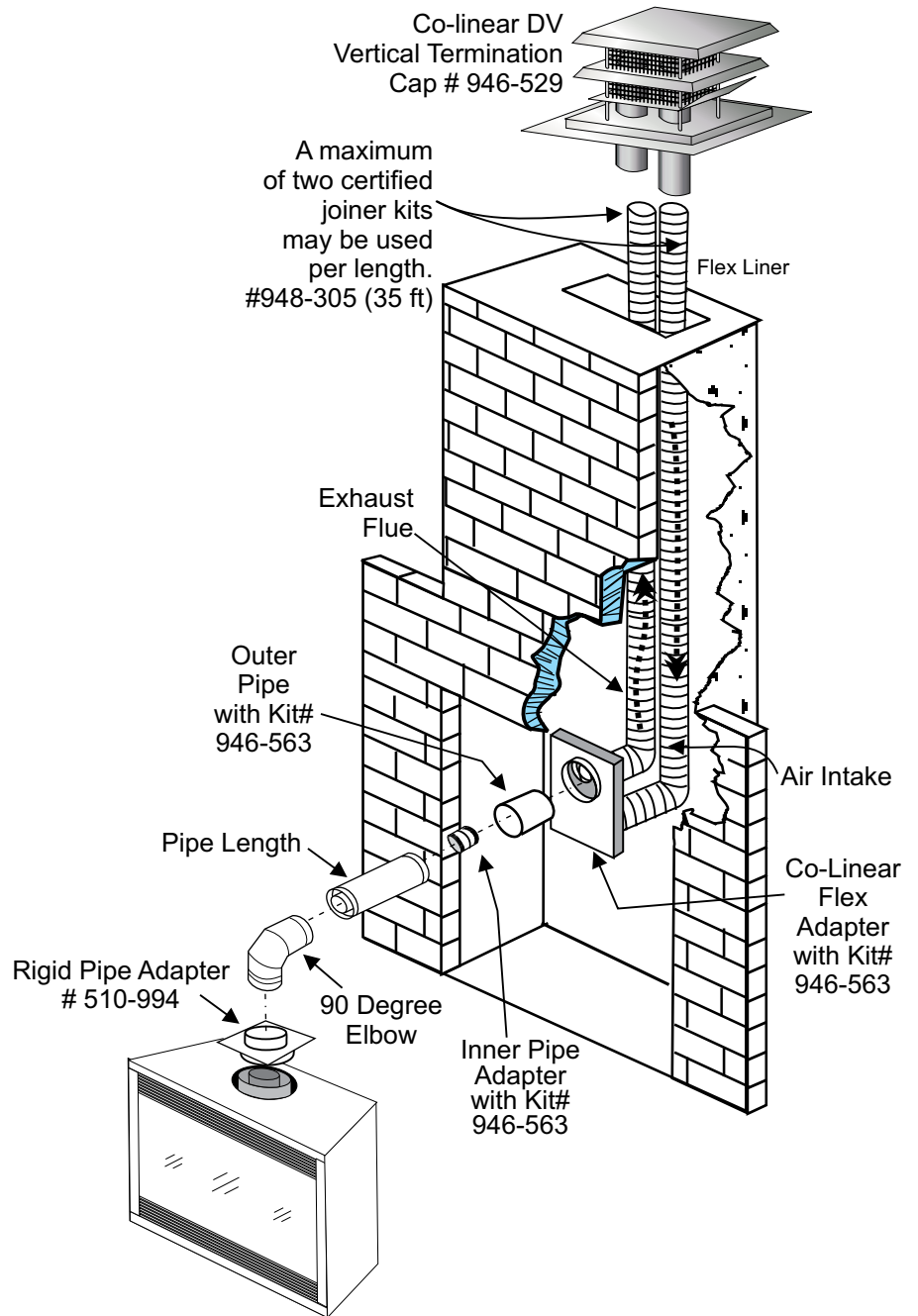
Required Parts:

Part #	Description
946-529	Co-linear DV Vertical Termination Cap
948-305	3" Flex - 35 ft.
946-563	Co-Axial to Co-Linear Adapter Kit which contains the following: Co-linear Flex Adapter Outer Pipe Inner Pipe Adapter
510-994	Rigid Pipe Adaptor

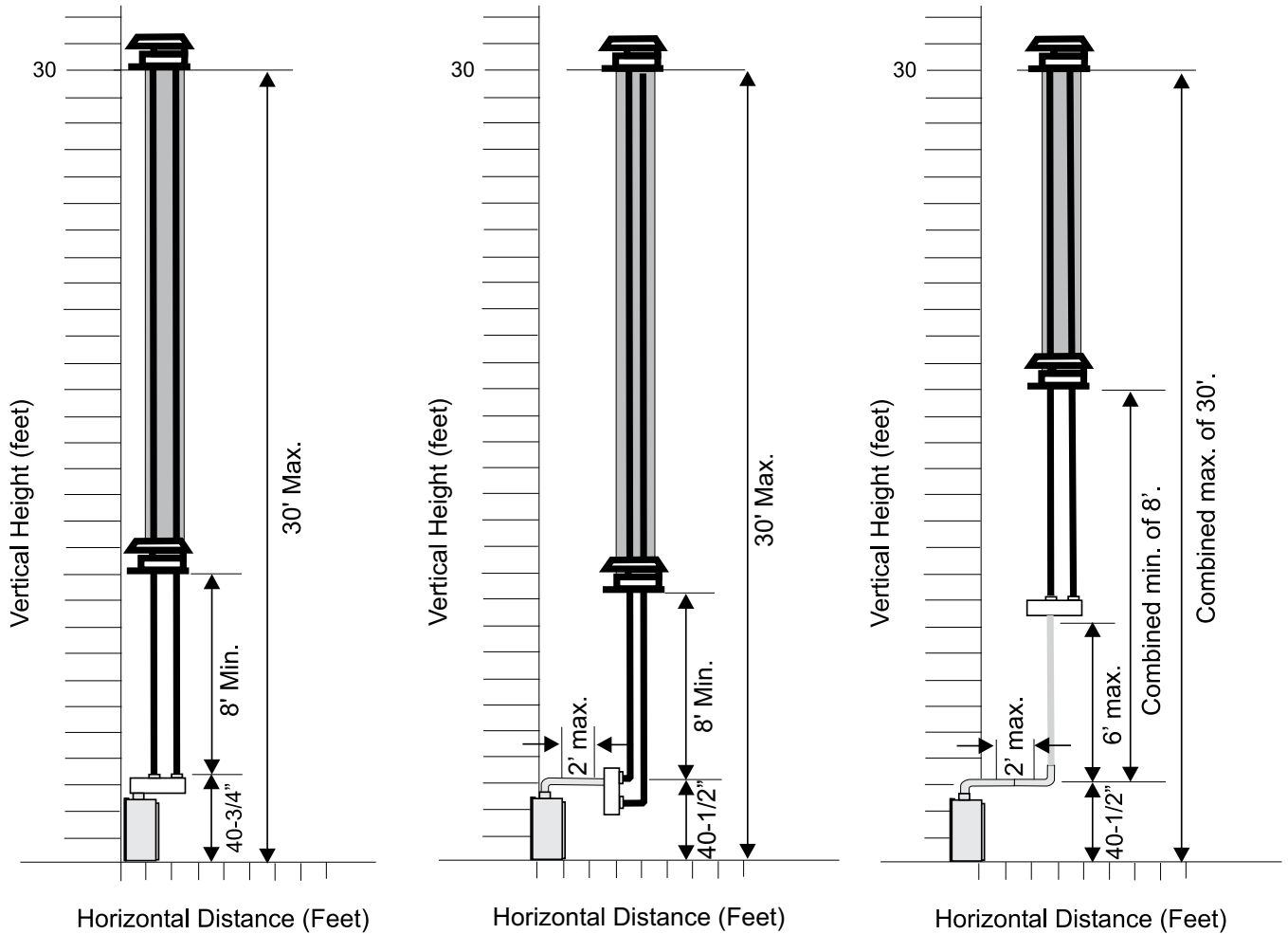
FPI Cabinet and/or Flat Wall Mantles may be used in these applications ensuring that clearances to combustibles are maintained.

Masonry chimneys may take various contours which the flexible liner will accommodate. However, **keep the flexible liner as straight as possible**, avoid unnecessary bending.

The Air Intake pipe must be attached to the inlet air collar of the termination cap.



VENTING ARRANGEMENT - VERTICAL TERMINATIONS
CO-LINEAR FLEX SYSTEM INTO MASONRY FIREPLACES
FOR BOTH RESIDENTIAL & MANUFACTURED HOMES



The shaded area in the diagrams show the allowable vertical terminations.

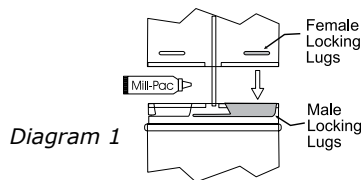
UNIT INSTALLATION WITH HORIZONTAL TERMINATION

Install the vent system according to the manufacturer's instructions included with the components.

- 1) Set the unit in its desired location. Check to determine if wall studs or roof rafters are in the way when the venting system is attached. If this is the case, you may want to adjust the location of the unit. Rough in the gas preferably on the right side of the unit and the electrical (junction block is on the left side) on the left.
- 2) Direct Vent pipe and fittings are designed with special twist-lock connections to connect the venting system to the appliance flue outlet. A twist-lock adaptor is an available option that must be used in conjunction with the Simpson Dura-Vent Direct Vent system.
- 3) Put a bead of Mill-Pac inside the outer section of the adapter and on the inner collar. Slip the adapter over the existing inner and outer flue collar and fasten to the outer collar only with the 3 supplied screws (drilling pilot holes will make this easier). Level the fireplace and fasten it to the framing using nails or screws through the nailing strips.
- 4) Assemble the desired combination of pipe and elbows to the appliance adaptor and twist-lock for a solid connection.

Notes:

- a) Twist-lock procedure: Four indentations, located on the female ends of pipes and fittings, are designed to slide straight onto the male ends of adjacent pipes and fittings, by orienting the four pipe indentations so they match and slide in to the four entry slots on the male ends, Diagram 1. Push the pipe sections completely together, then twist-lock one section clockwise approximately one-quarter turn, until the two sections are fully locked. The female locking lugs will not be visible from the outside, on the Black Pipe or fittings. They may be located by examining the inside of the female ends.



NOTE: For best results and optimum performance with each approved venting system, it is highly recommended to apply "Mill-Pac" sealant (supplied) to every inner pipe connection. Failure to do so may result in drafting or performance issues not covered under warranty.

- b) Horizontal runs of vent must be supported every three feet. Wall straps are available for this purpose.
- 5) Mark the wall for a 10" x 10" square hole. The center of the square hole should line up with the centerline of the horizontal pipe. Cut and frame the 10 inch square hole in the exterior wall where the vent will be terminated. If the wall being penetrated is constructed of non-combustible material, i.e. masonry block or concrete, a 7"(178mm) dia. (7-1/2"(191mm) dia. for flex) hole is acceptable.

Note: With Dura-Vent, the minimum height is achieved by installing a 90° elbow directly to the rigid pipe adaptor.

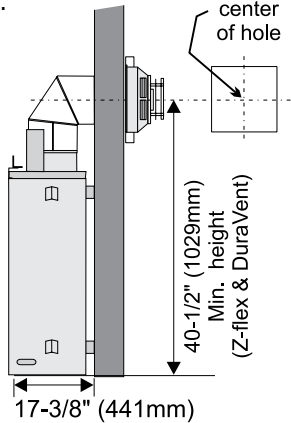


Diagram 2

Notes:

- a) The horizontal run of vent must be level, or have a 1/4 inch rise for every 1 foot of run towards the termination. Never allow the vent to run downward. This could cause high temperatures and may present the possibility of a fire.
- b) The location of the horizontal vent termination on an exterior wall must meet all local and national building codes, and must not be blocked or obstructed. For External Vent Terminal Locations, see Exterior Vent Termination Location.

c) Snorkel Terminations:

For installations requiring a vertical rise on the exterior of the building, 14-inch and 36-inch tall Snorkel Terminations are available, as well as the standard Riser Vent. Follow the same installation procedures as used for standard Horizontal Termination.

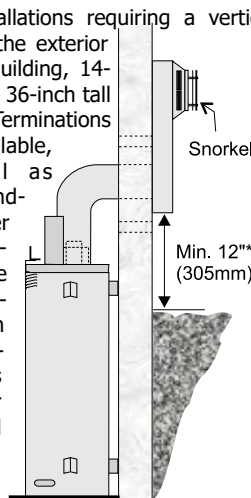
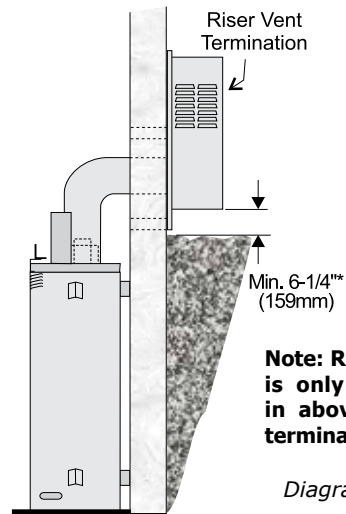


Diagram 3

NEVER install the snorkel upside down.



Note: Riser Vent is only for use in above grade terminations.

Diagram 3a

***Diagrams 3 & 4: As specified in CSA B149.1 Installation Code. Local codes or regulations may require different clearances.**

Below Grade Installation

If the Snorkel Termination must be installed below grade, i.e. basement application, proper drainage must be provided to prevent water from entering the Snorkel Termination. Refer to Diagram 4. Do not attempt to enclose the Snorkel within the wall, or any other type of enclosure.

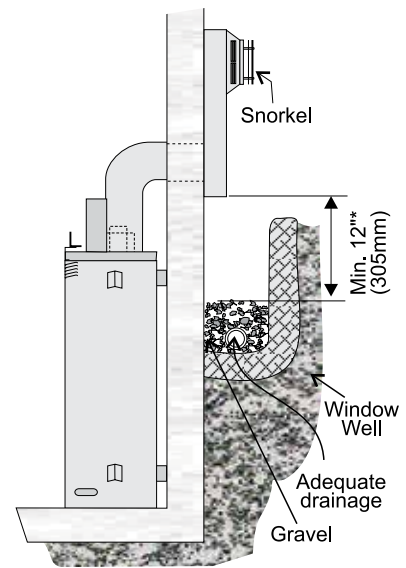


Diagram 4

NOTE: For Snorkel terminations in ABOVE grade installations, follow national or local code requirements.

- 6) The arrow on the vent cap should be pointing up. Insure that the 1-1/2" clearances to combustible materials are maintained (Diagram 4). Install the termination cap.

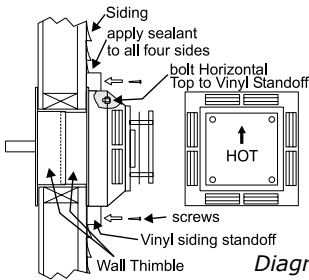


Diagram 5

The four wood screws provided should be replaced with appropriate fasteners for stucco, brick, concrete, or other types of sidings.

Note: When installing a appliance where the exterior of the house will be or is sided with vinyl siding, a vinyl siding standoff or furring strips must be used to ensure that the termination cap is not recessed into the siding. If there is no siding installed - install the vinyl siding standoff or furring strips to the exterior of the home where the termination cap is to be installed. Install the cap on the vinyl siding standoff or furring strips. J-channel can then be installed around the vinyl siding standoff, then the siding can be installed. If vinyl siding is already installed - line up the vinyl siding standoff or furring strips on the vinyl siding where the termination cap is to be installed, trace out the vinyl siding standoff or furring strips, then cut out and remove the vinyl. Install the standoff to the exterior of the home. Install the termination cap on the vinyl siding standoff or furring strips.

- Before connecting the horizontal run of vent pipe to the vent termination, slide the Wall Thimble over the vent pipe.
- Slide the appliance and vent assembly towards the wall carefully inserting the vent pipe into the vent cap assembly. It is important that the vent pipe extends into the vent cap sufficient distance so as to result in a minimum pipe overlap of 1-1/4 inches. Secure the connection between the vent pipe and the vent cap by attaching the two sheet metal strips extending from the vent cap assembly into the outer wall of the vent pipe. Use the two sheet metal screws provided to connect the strips to the pipe section. See Diagram 6.

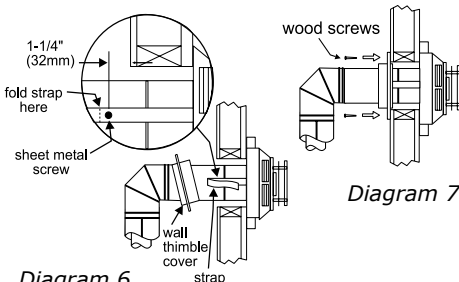


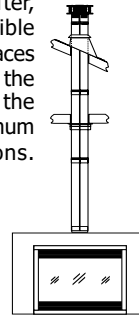
Diagram 6

Diagram 7

- Install wall thimble in the center of the 10" square and attach with wood screws (Diagram 7).

UNIT INSTALLATION WITH VERTICAL TERMINATION

- Maintain the 1-1/4" clearances (air spaces) to combustibles when passing through ceilings, walls, roofs, enclosures, attic rafter, or other nearby combustible surfaces. Do not pack air spaces with insulation. Check for the maximum vertical rise of the venting system and the maximum horizontal offset limitations. Diagram 1



- Set the gas appliance in its desired location. Drop a plumb bob down from the ceiling to the position of the appliance flue exit, and mark the location where the vent will penetrate the ceiling. Drill a small hole at this point. Next, drop a plumb bob from the roof to the hole previously drilled in the ceiling, and mark the spot where the vent will penetrate the roof. Determine ceiling joists, roof rafters or other framing will obstruct the venting system. You may wish to relocate the appliance or to offset, as shown in Diagram 2 to avoid cutting load bearing members.

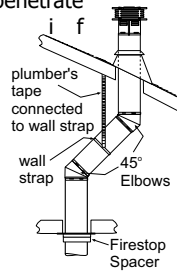
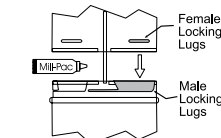


Diagram 2



NOTE: For best results and optimum performance with each approved venting system, it is highly recommended to apply "Mill-Pac" sealant (supplied) to every inner pipe connection. Failure to do so may result in drafting or performance issues not covered under warranty.

- A Firestop spacer must be installed in the floor or ceiling of every level. To install the Firestop spacer in a flat ceiling or wall, cut a 10 inch square hole. Frame the hole as shown in Diagram 3 and install the firestop.

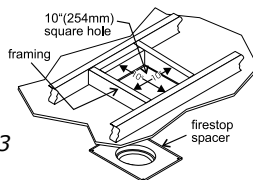


Diagram 3

- Assemble the desired lengths of pipe and elbows. Ensure that all pipes and elbow connections are in the fully twist-locked position and sealed.
- Cut a hole in the roof centered on the small drilled hole placed in the roof in Step 2. The hole should be of sufficient size to meet the minimum requirements for clearance to combustibles of 1-1/2". Slip the flashing under the shingles (shingles should overlap half the flashing) as per Diagram 4.

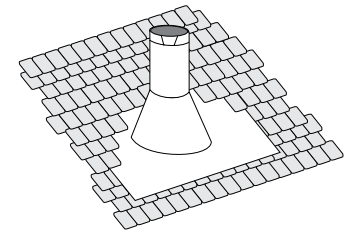


Diagram 4: The upper half of the flashing is installed under the roofing material and not nailed down until the chimney is installed. This allows for small adjustments.

- Continue to assemble pipe lengths.
- Note:** If an offset is necessary in the attic to avoid obstructions, it is important to support the vent pipe every 3 feet, to avoid excessive stress on the elbows, and possible separation. Wall straps are available for this purpose (Diagram 2).

Galvanized pipe is desirable above the roof line due to its higher corrosion resistance. Continue to add pipe sections through the flashing until the height of the vent cap meets the minimum height requirements specified in Diagram 5 or local codes. Note that for steep roof pitches, the vertical height must be increased. A poor draft, or down drafting can result from high wind conditions near big trees or adjoining roof lines, in these cases, increasing the vent height may solve the problem.

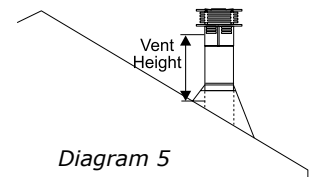


Diagram 5

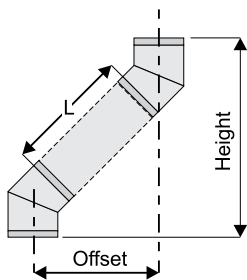
Roof Pitch	Minimum Vent Height	
	Feet	Meters
flat to 7/12	2	0.61
over 7/12 to 8/12	2	0.61
over 8/12 to 9/12	2	0.61
over 9/12 to 10/12	2.5	0.76
over 10/12 to 11/12	3.25	0.99
over 11/12 to 12/12	4	1.22
over 12/12 to 14/12	5	1.52
over 14/12 to 16/12	6	1.83
over 16/12 to 18/12	7	2.13
over 18/12 to 20/12	7.5	2.29
over 20/12 to 21/12	8	2.44

- 7) Ensure vent is vertical and secure the base of the flashing to the roof with roofing nails, slide storm collar over the pipe section and seal with a mastic.
- 8) Install the vertical termination cap by twist-locking it.

Note: Any closets or storage spaces, which the vent passes through must be enclosed.

Offset Chart

GS 6"(152mm) Nominal Diameter ID					
Offset		Pipe Length (L)		Height	
inches	mm	inches	mm	inches	mm
4 3/4	121	0	0	13 1/4	337
9	229	6	152	17 1/2	445
11 1/4	286	9	229	19 1/2	495
13 1/4	337	12	305	21 3/4	552
21 3/4	552	24	610	30 1/4	768
30 1/4	768	36	914	39	991
38	965	48	1219	47	1194

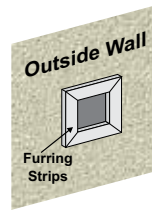


DIRECT VENT SYSTEM (FLEX) INSTALLATION PROCEDURES

- 1) Locate the unit in the framing, rough in the gas (preferably on the right side of the unit) and the electrical (Junction block is on the left side) on the left. Locate the centerline of the termination and mark wall accordingly. Cut a 10"(254mm) hole in the wall (inside dimension).

Note: A 1-1/2"(38mm) clearance around the liner must be maintained except that only a 1" (25mm) clearance is needed at the termination end. We recommend framing a 10"(254mm) x 10"(254mm) (inside dimensions) hole to give structural rigidity for mounting the termination.

Note: To make the installation more aesthetically pleasing, we recommend framing out a square to mount the terminal to.



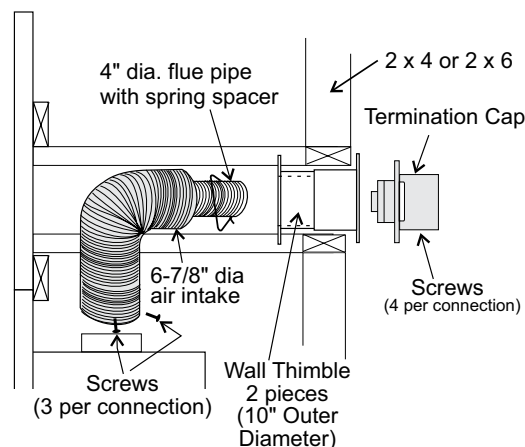
Note: When installing a appliance where the exterior of the house will be or is sided with vinyl siding, a vinyl siding standoff or furring strips must be used to ensure that the termination cap is not recessed into the siding. If there is no siding installed - install the vinyl siding standoff or furring strips to the exterior of the home where the termination cap is to be installed. Install the cap on the vinyl siding standoff or furring strips. J-channel can then be installed around the vinyl siding standoff, then the siding can be installed. If vinyl siding is already installed - line up the vinyl siding standoff or furring strips on the vinyl siding where the termination cap is to be installed, trace out the vinyl siding standoff or furring strips, then cut out and remove the vinyl. Install the standoff to the exterior of the home. Install the termination cap on the vinyl siding standoff or furring strips.

- 2) Level the fireplace and fasten it to the framing using nails or screws through the nailing strips.
- 3) Assemble the vent assembly by applying Mill Pac to the 4"(100mm) inner collar of the termination and slipping the 4"(100mm) liner over it at least 1-3/8" (35mm). Fasten with the 3 screws (drilling pilot holes will make this easier). Apply Mill Pac to the 6-7/8"(175mm) flex pipe and slip it over the 6-7/8" outer collar of the vent terminal at least 1-3/8"(35mm) and fasten with the 3 screws.

NOTE: Horizontal sections must be supported at intervals not exceeding 3 feet (0.9 meter). (Flame picture and performance will be affected by sags in the liner).

- 4) Separate the 2 halves of the wall thimble and securely fasten the one with the tabs to the outside wall making sure that the tabs are on top and bottom. Fasten the other thimble half to the inside wall. The thimble halves slip inside each other and can be adjusted for 2 x 4 or 2 x 6 walls. **The liners must slip over the collars a minimum of 1-3/8".**
- 5) Slip the assembled liner and termination assembly through the thimble making sure the termination cap faces up (there are markings on the cap that show which way is up). This will position the termination cap with proper down slope for draining water. Fasten the cap to the outer wall with the 4 supplied screws.
- 6) Pull the centre 4"(100mm) liner and outer 6-7/8"(175mm) liner out enough to slip over the flue collars of the fireplace. (You may wish to cut the liner shorter to make it more workable.) Do not bend liner more than 90°.
- 7) Apply Mill Pac over the fireplace inner collar and slip the 4"(100mm) liner down over it and attach with 3 supplied screws.
- 8) Do the same with the 6-7/8"(175mm) liner.
- 9) Apply a bead of silicone between the thimble and termination and around the outer edge of the terminal at the wall in order to keep the water out.

IMPORTANT: Do not locate termination hood where excessive snow or ice buildup may occur. Be sure to check vent termination area after snow falls, and clear to prevent accidental blockage of venting system. When using snow blowers, make sure snow is not directed towards vent termination area.



VERTICAL TERMINATION 4" X 6-7/8" VENTING

- Maintain the 1-1/2" (38 mm) clearance (air space) to combustibles when passing through ceilings, walls, floors, enclosures, attic rafters or other nearby combustibles. Do not pack air spaces with insulation. Check Venting sections for the maximum vertical rise of the venting system and the maximum horizontal offset limitations.
Ensure that you maintain clearances around enclosures, walls, below or above floors, floor joists, etc. Each appliance has different clearance requirements (top,sides,bottom). See specific appliance manual for details.
- Set the appliance in its desired position. Drop a plumb bob down from the ceiling/floor joist to the position of the appliance flue exit and mark the location where the vent will penetrate the ceiling. Drill a small hole at this point. Next drop a plumb bob from the roof to the hole previously drilled at the ceiling level and mark the spot where the vent will penetrate the roof.
- Cut a hole in the roof centered on the small hole placed in the roof in the previous steps. The hole should be a minimum of 10-1/4 (260 mm) inches. The hole may be round and or square.
- Slip the flashing under the shingles and line up flashing so it is centered to the hole (shingles should overlap half of the flashing) as per Diagram 1.

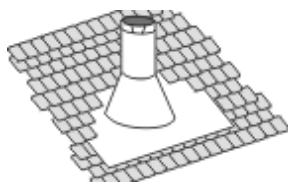


Diagram 1: The upper half of the flashing is installed under the roofing material and not nailed down until the chimney is installed. This allows for small adjustments.

Diagram 1

- A ceiling firestop/firestop spacer must be installed when passing through each floor or ceiling level. To install the ceiling firestop/firestop spacer in a flat ceiling or floor joist cut a 10- 1/4 (260 mm) inch square hole. Frame the hole as show in Diagram 1 and install the ceiling firestop. Slide the top attic insulation spacer onto the top of the attic insulation shield/firestop - See Diagram 1a. Secure with 4 screws/nails. If more than one is required, these can be purchased separately.

Note: The ceiling firestop/firestop spacer may be cut down to size if this shield is too high for the application.

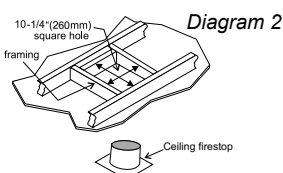


Diagram 2

Firestop spacer to prevent debris from falling into the ceiling firestop

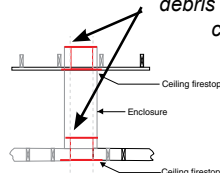


Diagram 2a

- Determine the overall height of the chimney from the top of the appliance to the underside of the flashing. If required cut the flexible inner and outer pipe to the desired length up to a maximum of 20 feet (6.1 m).
- Put a bead of Mill-Pac around the 4 inch (102 mm) collar on the appliance and slide the inner flex pipe over the inner collar of the appliance and secure with a minimum of 3 screws.
- Install 4 inch spacers around 4 inch (102 mm) flex.
- Repeat Step 7 to install the outer pipe to the outer collar of the appliance

Note: If an offset is necessary in the attic or floor joists it is important to support the vent pipe every 3 feet (0.91 m) to avoid excessive stress and sagging of the vent pipe. Wall straps are provided (3 in total) for this purpose. All round/plumbers strapping may also be used if further supports are required.

- Attach the rigid pipe section to the adaptor by using Mill-Pac on the inner/ outer pipe. Use 3 screws to secure outer pipe.

- Secure inner flex pipe to pipe adaptor by using Mill-Pac over the adaptor. Slide the inner pipe over adaptor and secure with 3 screws.
- Repeat Step 11 to secure outer flex.
- Slide the finished length up towards the flashing ensuring the length of pipe is a minimum of 2 feet (0,61 m) measured from the top of the roof. Level the chimney and secure using the roof support provided with kit to bottom side of the roof as shown using a minimum of 2 screws per side-see Diagram 3b. See Diagram 4 for roof pitch and height requirements. See Diagram 3a for securing method if 2 ft. (0,61 m) is insufficient and additional lengths are required, this may be purchased separately. See Simpson Duravent components list in the instruction manual for part numbers.

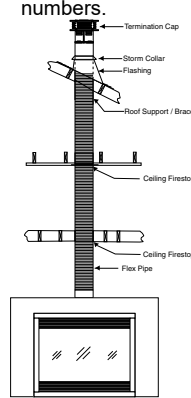


Diagram 3

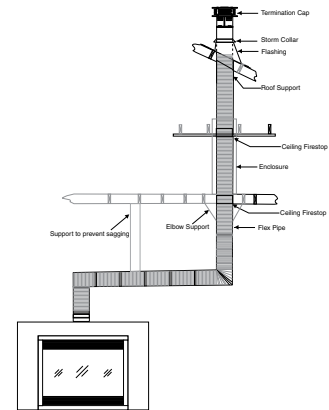


Diagram 3a

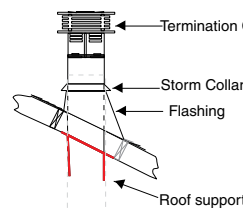


Diagram 3b

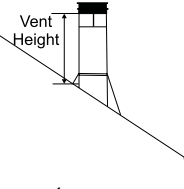


Diagram 4

Roof Pitch	Minimum Vent Height	
	Feet	Meters
flat to 7/12	2	0.61
over 7/12 to 8/12	2	0.61
over 8/12 to 9/12	2	0.61
over 9/12 to 10/12	2.5	0.76
over 10/12 to 11/12	3.25	0.99
over 11/12 to 12/12	4	1.22
over 12/12 to 14/12	5	1.52
over 14/12 to 16/12	6	1.83
over 16/12 to 18/12	7	2.13
over 18/12 to 20/12	7.5	2.29
over 20/12 to 21/12	8	2.44

- Put a bead of caulking on the exterior between the outer pipe and flashing to prevent water from penetrating the chimney system.
- Slide storm collar over pipe length until it reaches the flashing.
- Install termination cap by twist locking it.
- Secure the flashing to the roof using screws

Note: Any closets or storage spaces which the vent passes through must be enclosed.

VERTICAL FLUE EXTENSION KIT (PART #946-756)

20 foot (6.1 m) Flex pipe Extension

(Used in conjunction with the 946-755 Vertical Flex kit and 948-367/P flex to flex adaptor).

1. Stretch out both inner 4" (102 mm) and outer 6 7/8" (175 mm) pipe up to a maximum of 20 feet.

Note : The inner and outer pipes may be cut if only a short length is required.

2. Install spring spacers around 4" (102 mm) inner pipe as shown. Slide outer flex pipe over and all the way down the 4" pipe.

3. Apply a bead of Mill Pac around the perimeter of the 4" (102 mm) inner collar of the flex adapter and slip the 4" (102 mm) inner flex pipe from the Vertical termination kit over the flex adapter ensuring that the inner flex pipe overlaps the collar by at least 1-3/8" (35 mm). Fasten with 3 screws.

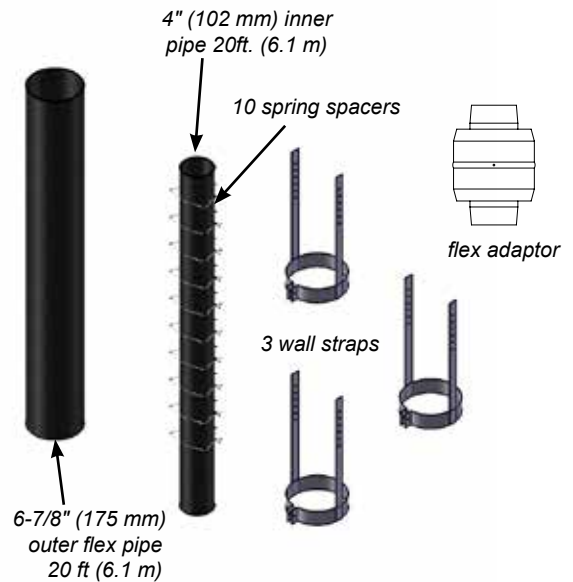
4. Apply a bead of Mill Pac around the perimeter of the 6-7/8" (175 mm) outer collar of the flue adapter and slip it over the 6-7/8" (175 mm) outer flex pipe from the vertical termination kit ensuring that the outer flex pipe overlaps the collar by at least 1-3/8" (35 mm). Fasten with the 3 screws.

5. Repeat steps to secure the other end of the flex adapter using the flex kit.

6. See Vertical Vent installation instructions for installation of the complete vent system.

Note: If an offset is necessary in the attic or floor joists it is important to support the vent pipe every 3 feet (0.91 m) to avoid excessive stress and sagging of the vent pipe. Wall straps are provided (3 in total) for this purpose.

All round/plumbers strapping may also be used if further supports are required.



CEILING FIRESTOP / FIRESTOP SPACER (PART #946-757)

Used in conjunction with the 946-755 Vertical Flex Kit and the 946-756 Vertical Flex Extension Kit/Horizontal Power Vent Kit.

A ceiling firestop/firestop spacer must be installed when passing through each floor or ceiling level. To install the ceiling firestop/firestop spacer in a flat ceiling or floor joist, cut a 10- 1/4 inch square hole, frame it as show in Diagram 1, and install the ceiling firestop. Slide the top attic insulation spacer onto the top of the attic insulation shield/firestop (see Diagram 1a). Secure with 4 screws/nails. If more than one firestop is required, these can be purchased separately.

NOTE • The ceiling firestop/firestop spacer may be cut down to size if the shield is too high for the application.

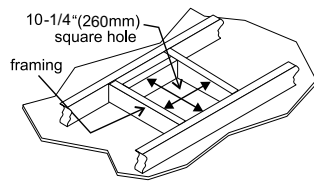


Diagram 1

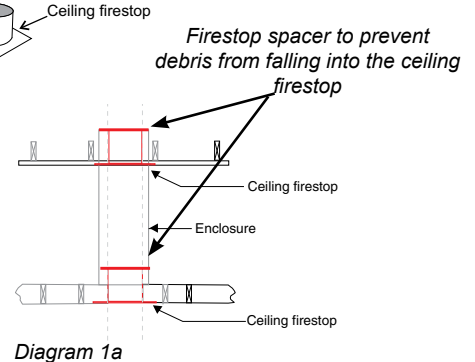


Diagram 1a

P36D-NG10 System Data	
For 0 to 4500 feet altitude Burner Inlet Orifice Sizes: #37	
Max. Input Rating: 30,000 Btu/h Min. Input Rating: 15,500 Btu/h	
Supply Pressure: min.5.0" w.c.	
Manifold Pressure (High): 3.8"+/- 0.2"w.c.	
Electrical: 120 V A.C. System. Circulation Fan: variable speed 130 CFM. Log Set: Ceramic fibre, 7 per set. Vent System: Simpson Dura-Vent Direct Vent System or Regency Direct Vent System (Flex)	

P36D-LP10 System Data	
For 0 to 4500 feet altitude Burner Inlet Orifice Sizes: #52	
Max. Input Rating: 30,000 Btu/h Min. Input Rating: 15,000 Btu/h	
Supply Pressure min.12.0" w.c.	
Manifold Pressure (High) 11"+/- 0.2" w.c.	
Electrical: 120 V A.C. System. Circulation Fan: variable speed 130 CFM. Log Set: Ceramic fibre, 7 per set. Vent System: Simpson Dura-Vent Direct Vent System or Regency Direct Vent System (Flex)	

HIGH ELEVATION

This unit is approved in Canada for altitude 0 to 4500 ft. (CSA 2.17) with the orifice supplied.

GAS LINE INSTALLATION

The gas line is brought through the right of the appliance. The gas valve is situated on the right hand side of the unit and the gas inlet is on the right hand side of the valve.

The gas line connection may be made of rigid pipe, copper pipe or an approved flex connector. (If you are using rigid pipe, ensure that the valve can be removed for servicing.) Since some municipalities have additional local codes it is always best to consult with your local authorities and the CSA B149.1 installation code.

For USA installations follow local codes and/or the current National Fuel Gas Code, ANSI Z223.1.

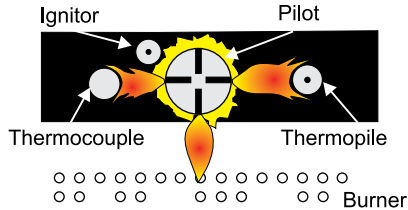
When using copper or flex connectors use only approved fittings. Always provide a union so that gas lines can be easily disconnected for servicing. Flare nuts for copper lines and flex connectors are usually considered to meet this requirement.

Important: Always check for gas leaks with a soap and water solution or gas leak detector. Do not use open flame for leak testing.

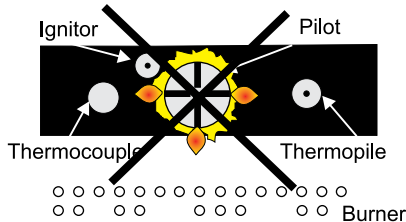
PILOT ADJUSTMENT

Periodically check the pilot flames. Correct flame pattern has three strong blue flames: 1 flowing around the thermopile, 1 around the thermocouple and 1 flowing across the burner (it does not have to be touching the burner).

Note: If you have an incorrect flame pattern, contact your Regencydealer for further instructions.



Incorrect flame pattern will have small, probably yellow flames, not coming into proper contact with the rear burner or thermopile or thermocouple.



GAS PIPE PRESSURE TESTING

The appliance must be isolated from the gas supply piping system by closing its individual manual shut-off valve during any pressure testing of the gas supply piping system at test pressures equal to or less than 1/2 psig. (3.45 kPa). Disconnect piping from valve at pressures over 1/2 psig.

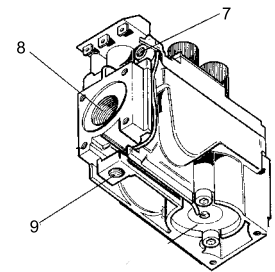
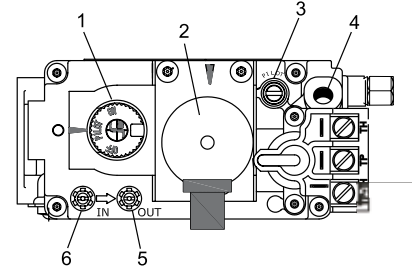
The manifold pressure is controlled by a regulator built into the gas control, and should be checked at the pressure test point.

Note: To properly check gas pressure, both inlet and manifold pressures should be checked using the valve pressure ports on the valve.

- 1) Make sure the valve is in the "OFF" position.
- 2) Loosen the "IN" and/or "OUT" pressure tap(s), turning counterclockwise with a 1/8" wide flat screwdriver.
- 3) Attach manometer to "IN" and/or "OUT" pressure tap(s) using a 5/16" ID hose.
- 4) Light the pilot and turn the valve to "ON" position.
- 5) The pressure check should be carried out with the unit burning and the setting should be within the limits specified on the safety label.
- 6) When finished reading manometer, turn off the gas valve, disconnect the hose and tighten the screw (clockwise) with a 1/8" flat screwdriver. **Note: Screw should be snug, but do not over tighten.**

SIT 829 VALVE DESCRIPTION

- 1) Gas on/off knob
- 2) Electronically Operated Hi/Lo
- 3) Pilot Adjustment
- 4) Thermocouple Connection - *option*
- 5) Outlet Pressure Tap
- 6) Inlet Pressure Tap
- 7) Pilot Outlet
- 8) Main Gas Outlet
- 9) Alternative TC Connection Point



**CONVERSION FROM NG TO LP
FOR P36D-10 USING SIT 829 NOVA GAS VALVE**

**THIS CONVERSION MUST BE DONE BY A QUALIFIED GAS FITTER
IF IN DOUBT DO NOT DO THIS CONVERSION !!**

Conversion Kit Contains:		
Qty.	Part #	Description
1	904-390	Burner Orifice #52
1	904-529	5/32" Allen Key
1	918-590	Decal "Converted to LPG"
1	908-528	Red "LPG" label
1	910-037	LPG Injector (Pilot Orifice)
1	910-582	Stepper Motor
1	919-472	Instruction Sheet

Installation of LPG Conversion Kit:

1. Shut off the gas and electrical supply.
2. Remove the safety screen and face-plate.
3. Open and remove the glass door.
4. Remove the logs and embers (if already installed).
5. Remove the 2 screws holding the Burner Assembly to the firebox base. Push the Burner Assembly to the left and lift out.
6. Pull off the pilot cap to expose the pilot orifice.

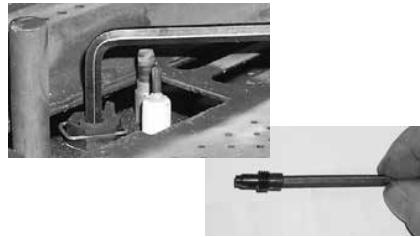


Remove the 2 screws, push Burner Assembly to the left and lift out.

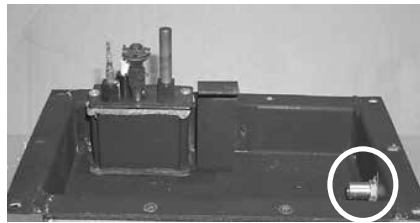
7. Unscrew the pilot orifice with the allen key; then replace with the LPG pilot orifice and the pilot cap, provided in the kit.



8. Remove burner orifice with a 1/2" wrench. Use another wrench to hold on to the elbow behind the orifice. Discard orifice.



9. Reinstall new burner orifice LPG stamped #52 and tighten.



Burner Orifice

10. Remove NG stepper motor by removing 3 screws in locations shown below—replace with LP stepper motor, secure in place with 3 screws.



Remove NG Stepper motor and replace with LP Stepper motor

11. Check for gas leaks with a proper soapy solution or leak detector.
12. Check for proper spark between the ignitor and pilot cap. Refer to "Lighting Procedure" section of the manual for lighting sequence.
13. Check pilot flames. Correct flame pattern has 3 strong blue flames. Adjustment can be made by turning the slotted screw at the top right corner of the valve. Refer to "Maintenance Instructions" section of the manual for correct flame patterns.
14. Check inlet (11" WC min) and outlet (10" WC) pressures. Refer to "Gas Pipe Pressure Testing" section of the manual.
15. Reverse Steps 5 to 1.
16. Attach the label "This unit has been converted to LP" near or on top of the serial # decal.
17. Replace yellow "NG" label with red "LP" label.
18. Check operation of flame control.
19. Check for proper flame appearance and glow on logs.

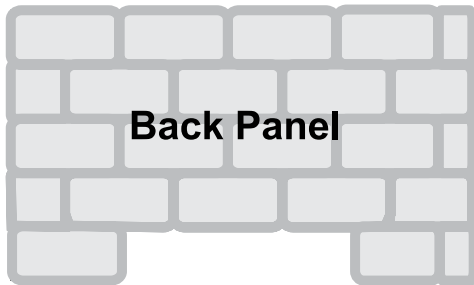
**Installer Notice:
These instructions must be left with the appliance.**

**OPTIONAL
BRICK PANELS**

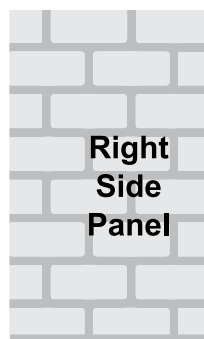
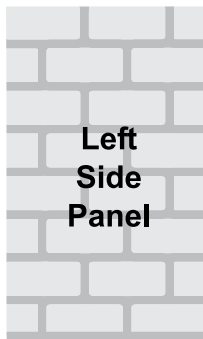
- 1) Remove the faceplate and safety screen, if already installed.
- 2) Undo the bottom 2 door latches and open and remove glass door. Remove logs.

Note: The logs must not be in the unit.

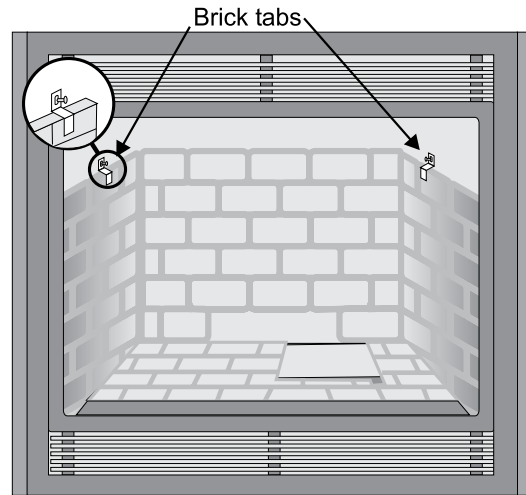
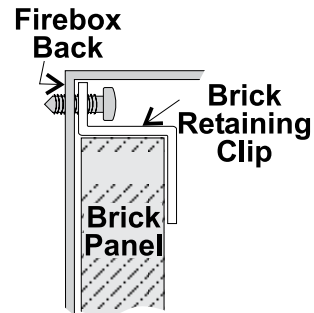
- 3) Insert the back brick panel first by carefully slipping it between the back wall of the firebox and the rear log bracket.



- 4) Put the side panels in next. Slide them in from the front and push them flat up against the wall. Be very careful not to scratch them on the firebox hardware.



- 5) Install the 2 brick retaining clips, one on each side.



Note:
If the bottom brick panel must be removed: Remove the Rear Log Stand, then remove the Burner Tray.

OPTIONAL ENAMEL PANELS

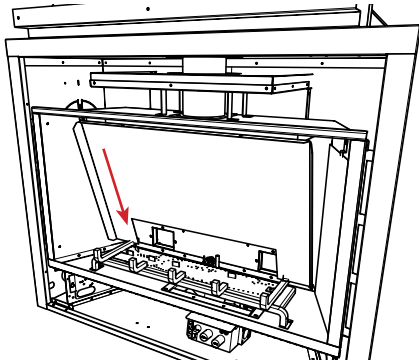
Before installation, panels must be handled and cleaned as per instructions noted below:
Black Enamel Panels
<ul style="list-style-type: none"> • Black Enamel panels must be inspected for scratches and dimples prior to installation. All claims to be recorded at this time. Claims for damage after installation will not receive consideration.
<ul style="list-style-type: none"> • Black Enamel panels will discolor a little during normal operation. This is normal and should not be considered a defect.
<p>★ All hand and finger marks MUST be cleaned off with a soft cloth. Use an ammonia based cleaner (ie. glass cleaner) to remove any fingerprints before applying heat to the unit. Failure to do this will result in burn stain on panels which you will be unable to remove. Not protected by product warranty.</p>

1. Remove Faceplate, Safety Screen if already installed.
2. Undo the bottom 2 door latches and open and remove glass door. Remove logs.

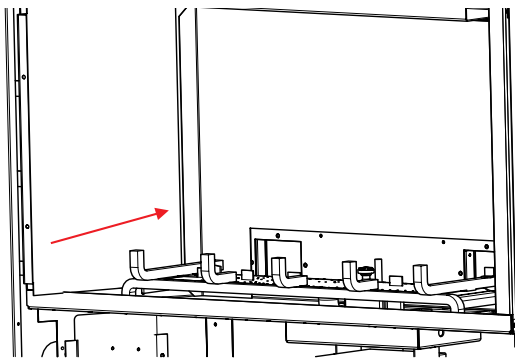
Note: The logs must not be in the unit.

3. Insert the back enamel panel first by carefully placing it between the back wall of the firebox and the rear log bracket.

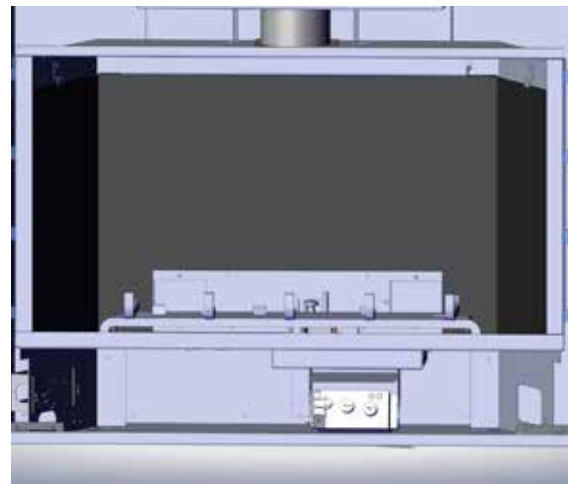
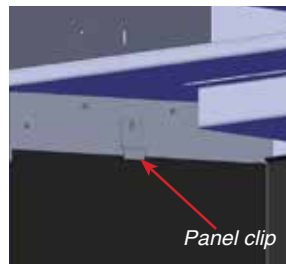
NOTE: the folds of the back panel should be facing inward toward the burner.



4. Install the side panel pushing it toward the back- when in position the side panel should cover the flange on the back panel. Be very careful not to scratch them on the firebox hardware.



5. When panel is in position—secure with a panel clip, secured with one screw, repeat on other side to install opposite panel.



Completed install

OAK LOG SET INSTALLATION

Read the instructions below carefully and refer to the diagrams. If logs are broken do not use the unit until they are replaced. Broken logs can interfere with the pilot operation.

The gas log kit (Part #780-930) contains the following pieces:

- a) 02-75 Rear Log
- b) 02-55 Middle Left Log
- c) 02-50 Front Left Log
- d) 02-53 Center Left Log
- e) 02-51 Front Bottom Log
- f) 02-54 Center Right Log
- g) 02-52 Middle Right Log
- h) 902-156 Embers
- i) 902-179 Vermiculite
- j) 946-669 Platinum Embers (supplied with packaged manual)
- k) 946-708 Embaglow Embers (supplied with packaged manual)

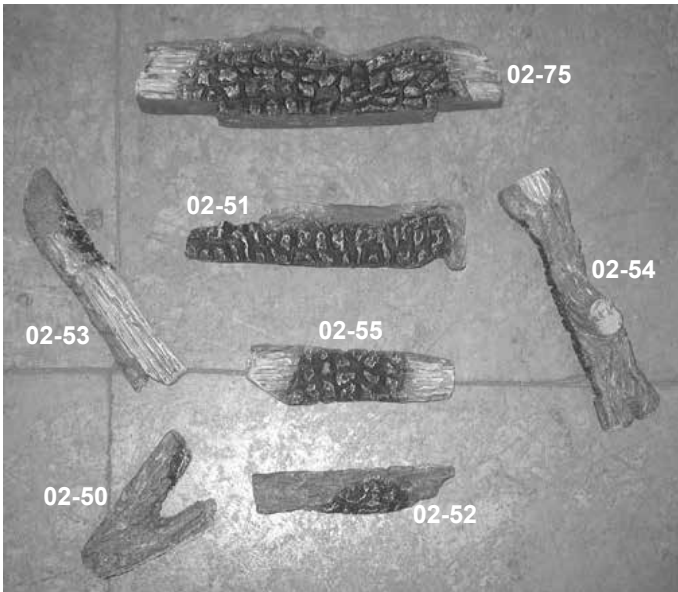
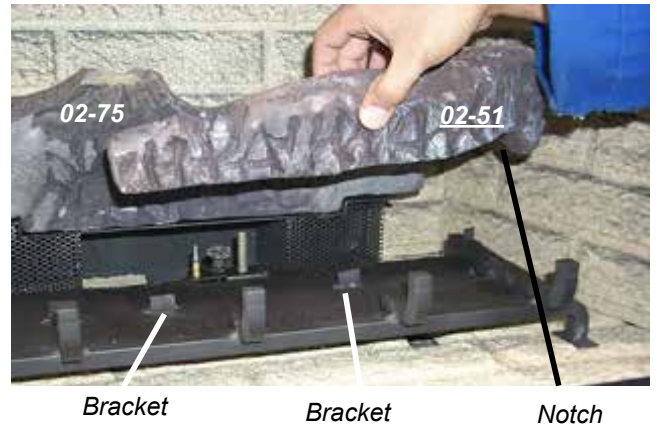
NOTE: If you will be installing the optional Brick Panels (P36D & P90 only), install the Brick Panels prior to installing the logs.

Model shown has P36D and P90 burner/grate with brick panel option.

- 3) Place the Log 02-75 on the rear log support pins with the flat side to the back.



- 4) Place Log 02-51 on the front right side of the burner. Push the back of the log against the 2 brackets with the notch on the bottom right side of the log fitting into the right side of the grate.



The "02" reference numbers (i.e. 02-75) are molded into the rear of each log.

- 1) Carefully remove the logs from the box and unwrap them. The logs are fragile, handle with care - **do not force into position.**
- 2) Sprinkle the vermiculite over base brick panel.



- 5) Position Log 02-53 across the cutouts in Logs 02-75 and 02-51 with the notch on the left side of the log fitting into the 2nd grate tab.



2nd Grate Tab

Cutouts



5th Grate Tab

- 7) Place the bottom left front edge of Log 02-55 against the rear bracket on the burner tray and rest the log on the cutout on Log 02-53.

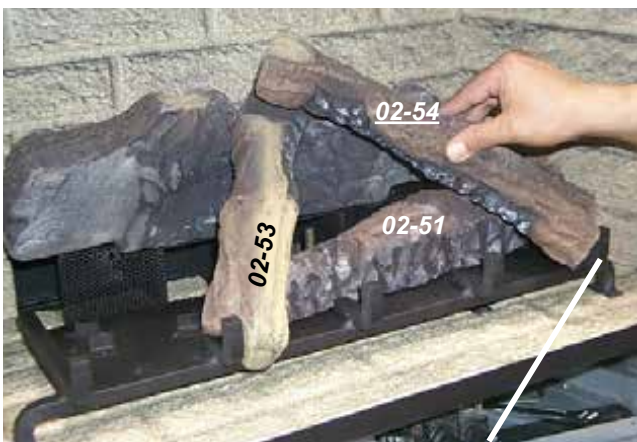


- 6) Position Log 02-54 across the cutouts in Logs 02-51 and 02-53. The notch in the bottom right end fitting against the 5th grate tab.



Rear Bracket

Cutouts



5th Grate Tab

52 | installation

- 8) Place Log 02-52 between Logs 02-51 and 02-75 and on the indentation on Log 02-54. The bottom right end sits behind the rear grate tab.



Log Indentation

- 9) Sit Log 02-50 on the front left side of the burner. Push the back of the log against the 2 front brackets with the notch on the bottom of the log fitting into the first grate tab.



Front Brackets



*Rear
Grate Tab*

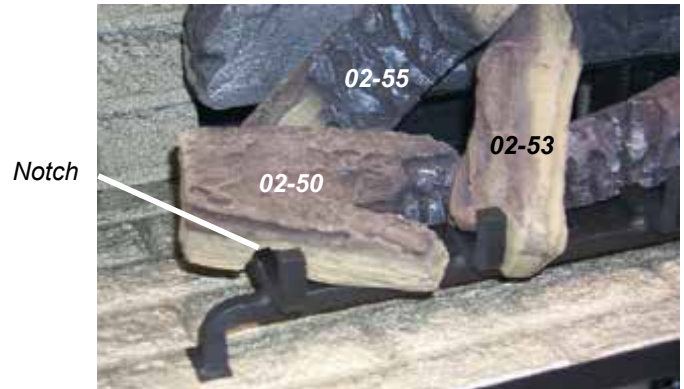


Photo shows rear grate tab.
*Log 02-51 was removed to show the
positioning of Log 02-52.*

- 10) Place the embers on the front of the burner tray in the places shown on the photos below.

Separate platinum embers and place on the front burner on and around the embers. Avoid stacking platinum embers. Platinum embers may be placed over burner ports. Separate Embaglow embers and place over platinum embers.



Place embers in these 3 locations on the burner tray.



Do not block the burner ports in this area adjacent to the Log 02-54

IMPORTANT
When placing Embers, do not block burner ports as this can cause an incorrect flame pattern, carbon deposits and delayed ignition.

- 11) Test fire to ensure proper light off (make sure flame flows smoothly from one end of burner to the other). If there is any flame hesitation, check that area for any blockage of the burner ports.



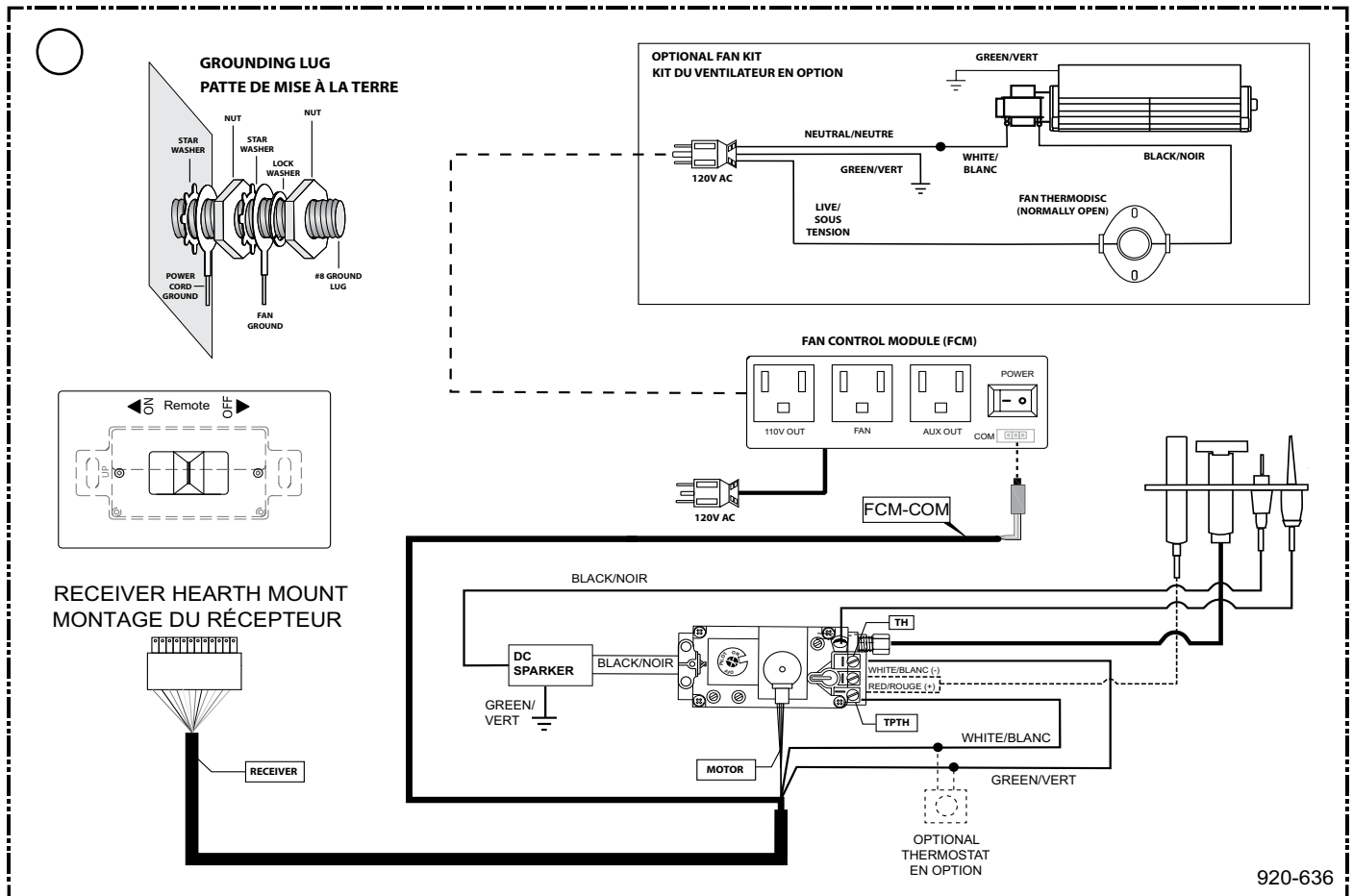
WIRING DIAGRAMS

This heater does not require a 120V A.C. supply for operation. In case of a power failure, the burner switch and the optional remote control/thermostat will continue to operate. However, a 120V A.C. power supply is needed for the fan/blower operation.

(Do not cut the ground terminal off under any circumstances.)

NOTE: Even if the fan is not purchased with the unit, it is still a good idea to bring power to the receptacle box (provided with the unit) in case the fan is installed at a later date.

Note: If optional fan is not purchased, batteries are required in both remote receiver (4 x AA batteries) & remote hand held (3 x AAA batteries) in order to operate appliance using the remote control.



920-636

CAUTION: Label all wires prior to disconnection when servicing controls. Wiring errors can cause improper and dangerous operation.

Caution: Ensure that the wires do not touch any hot surfaces and are away from sharp edges.

OPTIONAL WALL THERMOSTAT INSTALLATION

A wall thermostat may be installed if desired.

Recommended: The wall thermostat should be mounted beside the Remote/Unit Receiver which comes standard with the appliance.

1) Run wires from thermostat into the unit using the appropriate wire gauge-see chart below.

Thermostat Wire Table	
Recommended Maximum Lead Length (Two-Wire) When Using Wall Thermostat (CP-2 System)	
Wire Size	Max. Length
14 GA.	50 Ft.
16 GA.	32 Ft.
18 GA.	20 Ft.
20 GA.	12 Ft.
22 GA.	9 Ft.

CAUTION
Do not wire
Thermostat wires
to 120V wire.

2) Remove the green and white wire connected to the valve shown below. The wires will be plugged into the TH THTP ports on the valve.

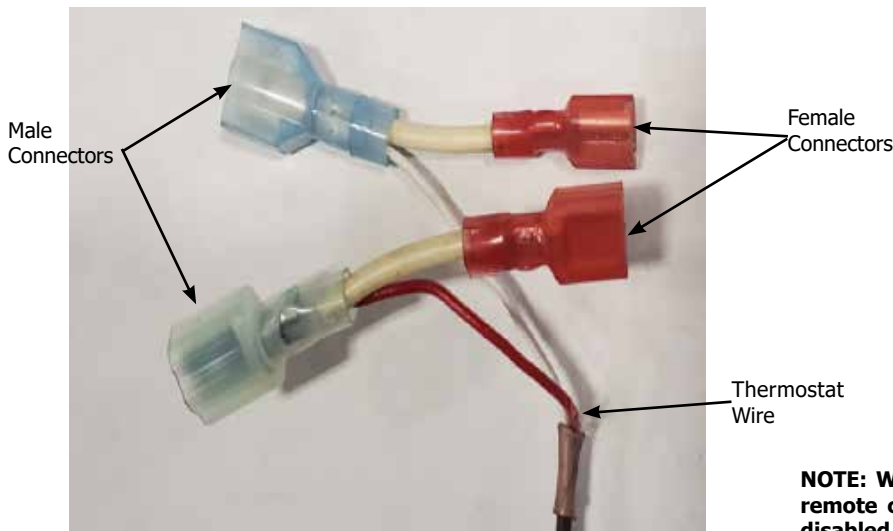


4) Connect the three way connector from step three to the valve as show below. One lead will be on TH the other on THTP. Then plug both the green and white wire into the three way connector.



3) Create a three way connector like shown below for both the green and white wire connecting one lead of the thermostat to each.

When complete both the wall thermostat and remote control will be able to operate the fireplace.



NOTE: When the remote receiver is set to ON position, the remote control transmitter and all of its features are now disabled.

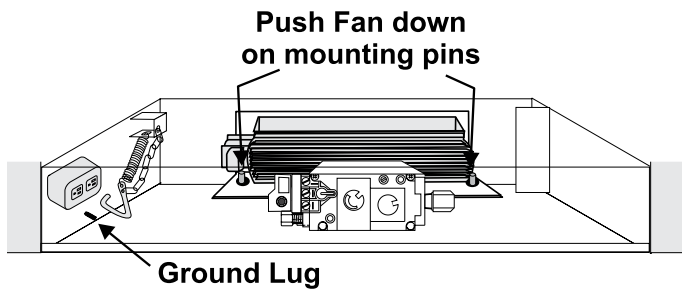
OPTIONAL FAN INSTALLATION

120 Volt AC power is needed for the fan. The fan can be hard wired if desired. The outlet should be installed in the receptacle box on the left hand side by a qualified electrician. The neutral (wider) slot of the polarized outlet should be at the top.

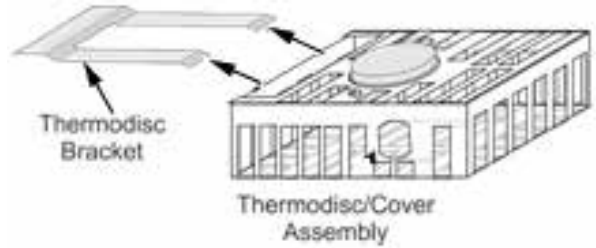
Unit must be grounded at all times. Do not cut the ground terminal off under any circumstances.

1. Turn off electrical supply to unit.
2. Remove safety screen and faceplate if installed.
3. Turn the fan base on its side (with base facing forward) and then slide the fan in towards the rear of the unit. Turn the fan upright and slip it over the two mounting studs. Take care not to damage the insulation on the fan base.

Ensure the fan blades do not rub against the valve tubing.



4. Connect the power cord and fan ground wires to the ground lug. Refer to wiring diagram.
5. Slide the thermodisc / cover assembly on to the bracket clip on the underside of the firebox.



6. Install the Fan Control Module (FCM) on the base of the unit to the left of the gas valve. Plug the FCM into the outlet.
7. Plug in the fan power cord to the Fan Control Module into the outlet marked "Fan". Plug the FCM-COM wire from the remote control wiring harness into the location on the Fan Control Module marked "COM". Turn the switch on the Fan Control Module to the ON position. ON is to the left. The "O" is the off position.



TO REMOVE THE FAN

- 1) Turn the power off.
- 2) Reverse the above instructions.

MAINTENANCE: The sealed bearings are lubricated so there is no need to lubricate them further. Extra lubricant will cause more lint and dust to build up causing the premature failure of the bearings. Regular cleaning and vacuuming of the fan area will add to the life of the motor.

IMPORTANT:
THESE FANS COLLECT A LOT OF DUST FROM WITHIN YOUR HOME. ENSURE YOU MAINTAIN THESE FAN MOTORS ON A REGULAR BASIS BY VACUUMING THE FAN BLADES AND THE HOUSING WITH A SOFT BRUSH NOZZLE.

STANDARD FLUSH DOOR

The **standard flush door** comes with a black frame. To install the frame, simply hook the top door flange onto the top of the unit and swing the door towards the unit, see diagram 1.

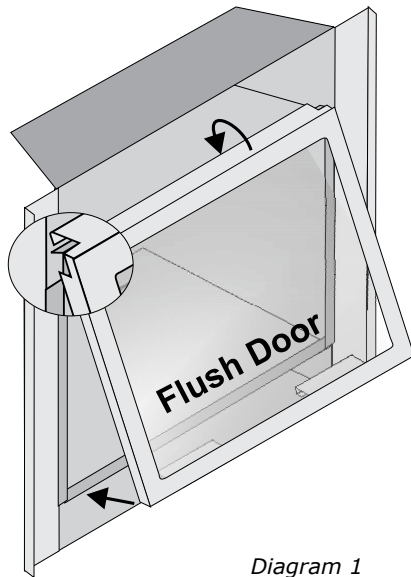


Diagram 1

Be careful that the glass gasket does not roll up; there must be a gap between the gasket and the door lip to ensure that the door sits securely on the unit, see Diagram 2.

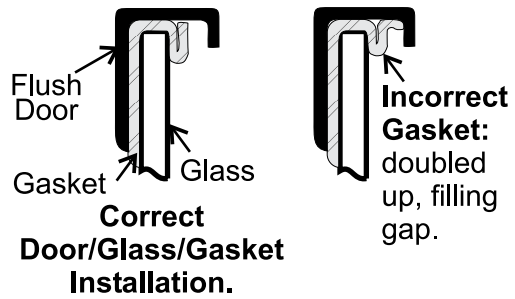


Diagram 2

Use the hook to pull the spring out until you can put the hook into the slot on the bottom door bracket. Repeat for 2nd spring. See diagram 3.

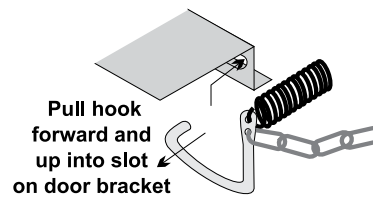
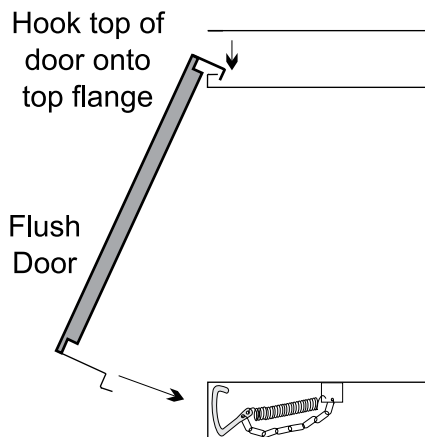


Diagram 3



To remove the flush door, reverse the above steps.

**WALL THERMOSTAT
(OPTIONAL)**

A wall thermostat may be installed if desired, connect the wires as per the wiring diagram. Use the table below to determine the maximum wire length.

Note: Preferable if the thermostat is installed on an interior wall.

Regency offers an optional programmable thermostat but any 250-750 millivolt rated non-anticipator type thermostat that is CSA, ULC or UL approved may be used.

CAUTION
Do not connect millivolt wall thermostat wires to 120V wire.

Thermostat Wire Table

Recommended Maximum Lead Length (Two-Wire) When Using Wall Thermostat (CP-2 System)	
Wire Size	Max. Length
14 GA.	50 Ft.
16 GA.	32 Ft.
18 GA.	20 Ft.
20 GA.	12 Ft.
22 GA.	9 Ft.

**DC SPARK IGNITER
BATTERY INSTALLATION**

Install the supplied battery into the DC Sparker Box by opening the battery compartment.

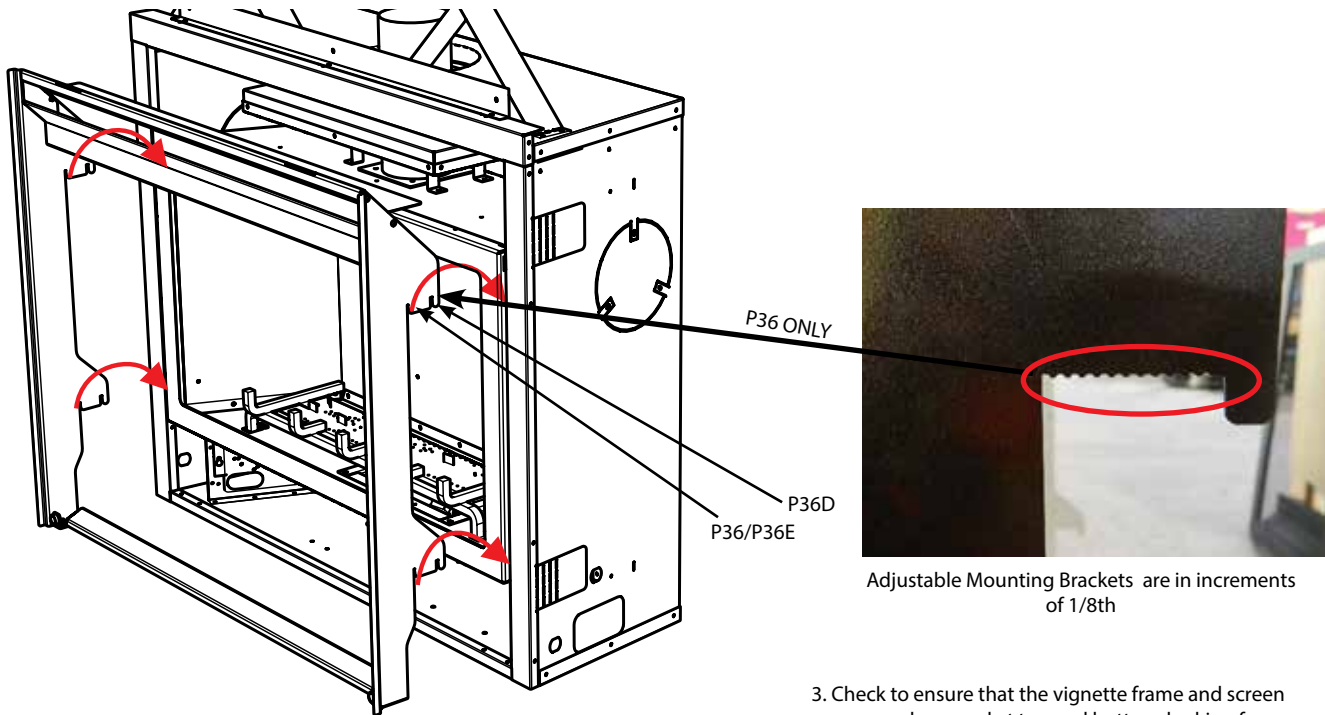
NOTE: The battery in the DC Sparker Box will need to be replaced annually.



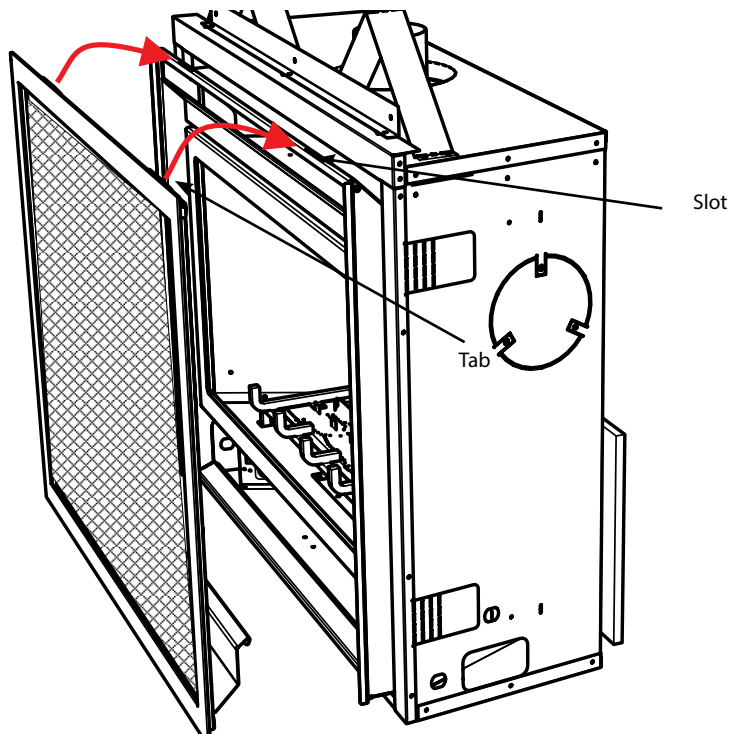
VIGNETTE FACEPLATE AND SAFETY SCREEN INSTALLATION

1. Hook the outer Vignette frame onto the unit. Brackets on the frame hook on to tabs in the unit.

Note: Use the inner slots for the P36/P36E units and the outer slots for the P36D.



2. Slot the tabs on the inner Vignette frame with safety screen into the corresponding slots in the outer Vignette frame as shown below.



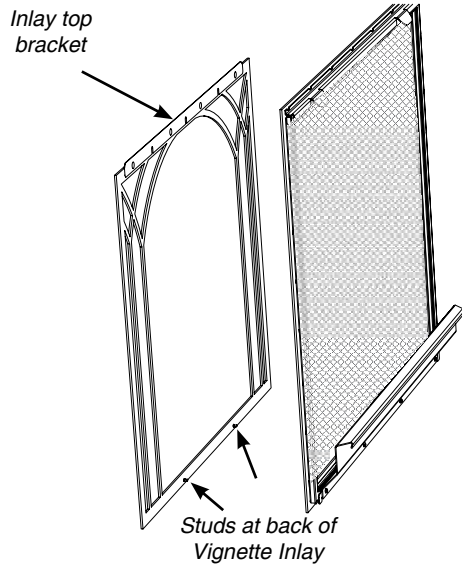
3. Check to ensure that the vignette frame and screen are evenly spaced at top and bottom-looking from side. If it is not evenly spaced, simply lift up the corner and pull gently towards you until adjusted.

NOTE: All the 4 corners can be adjusted.

OPTIONAL VIGNETTE INLAY INSTALLATION

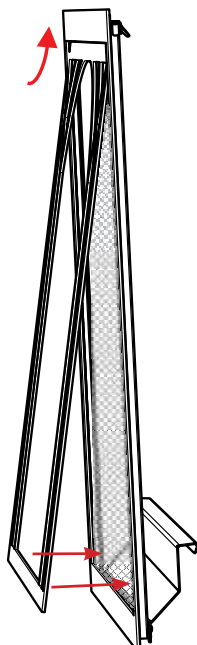
NOTE: Inlay not exactly as shown below.

1. Remove Inner Vignette Frame from unit if already installed.
2. Line up the inlay top bracket in the space between the safety screen frame and Vignette Frame. Slide the Inlay bracket up until it rests on the inside edge of the Vignette Frame.



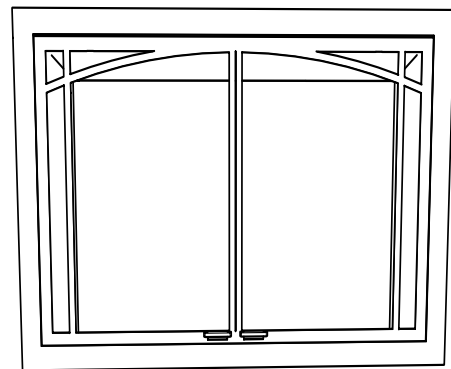
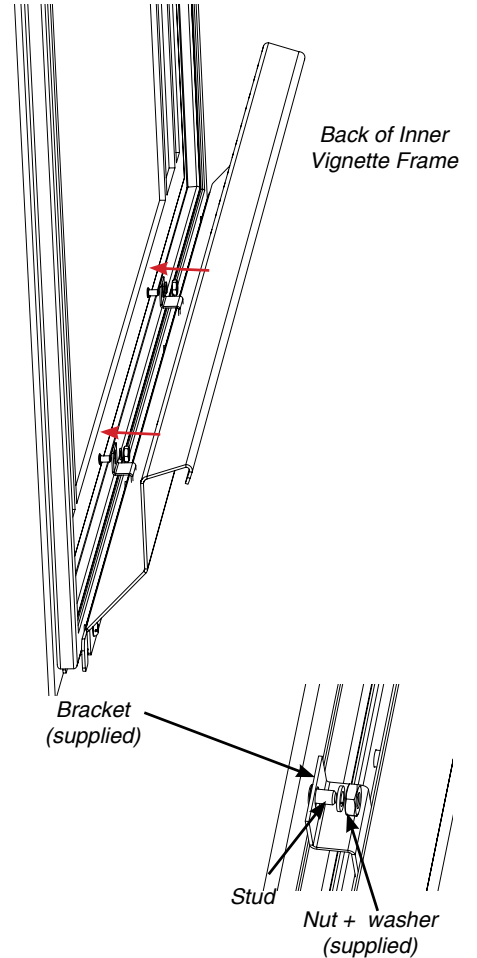
3. Position the Inlay so it is exactly centered from side to side and top to bottom within the Inner Vignette Frame.
4. With the top of the Inlay in correct position—push the studs at the bottom of the Inlay through the actual screen.

NOTE: Ensure Inlay is in correct position before pushing studs through the safety screen.



Line up Inlay—Push studs on Inlay through screen

5. Secure the Inlay in position with supplied brackets, washers, and nuts as shown.



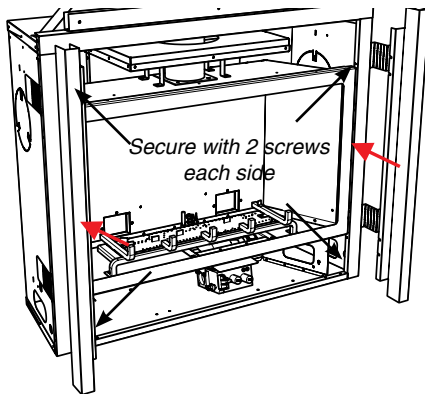
Completed Install

VIGNETTE FINISHING TRIM INSTALLATION

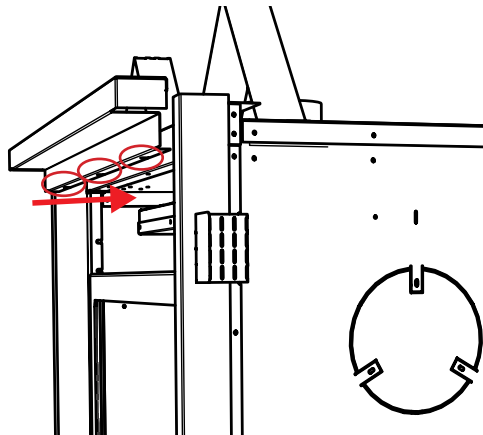
***If finishing the unit Flush with Vignette Finishing Trim** - remove top nailing strip from unit if installed—use nailing strip supplied with top trim piece. Side nailing strips are bent around side trim piece in flush finish application.

NOTE: Remove the safety screen, Vignette Faceplate and glass door prior to installing the Finishing Trim.

1. Install the Finishing Trim sides as shown in the diagram, line up the holes in the side trim with the holes in the firebox side.
2. Secure with 2 screws each side.

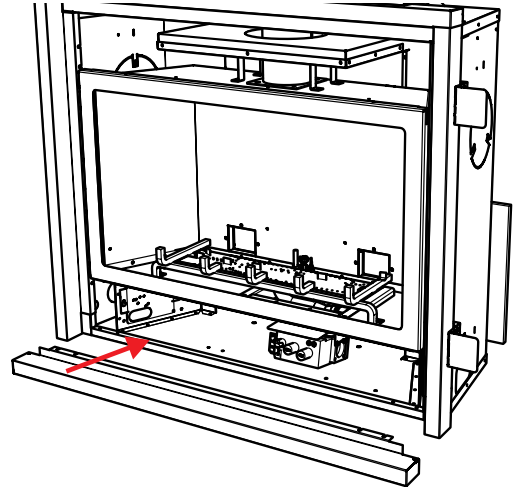


3. Loosen the 3 screws in the top inside edge of the firebox.
4. Slide the Finishing Trim Top over the Side Trim pieces and fit the bottom bracket slots over the screws. Tighten the 3 screws to secure.

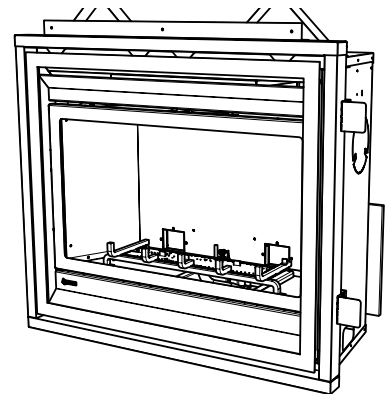


5. Hook Vignette Faceplate brackets into place.

6. Install the lower finishing trim (if required)—secure with four screws.



7. Hook Vignette Faceplate brackets into place (see specific instructions in unit manual).



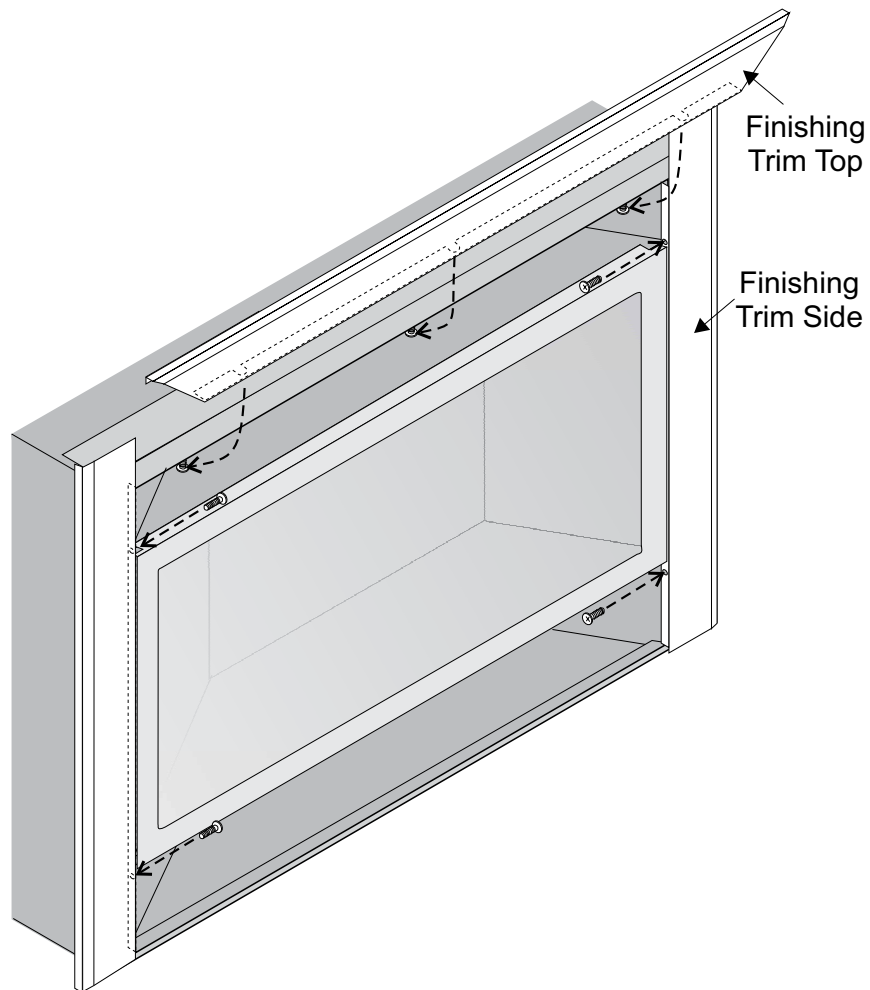
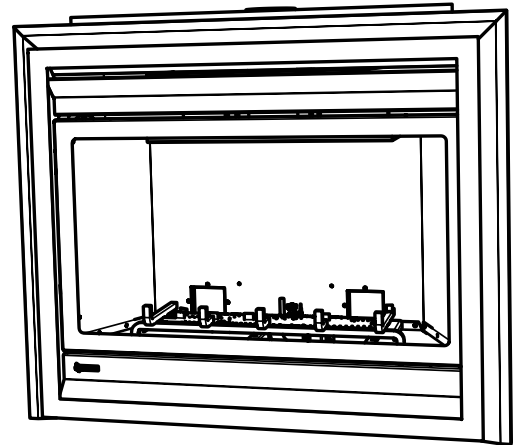
Completed install

Important: See clearance/framing requirements on next page when using the Vignette Finishing trim

OPTIONAL FINISHING TRIM

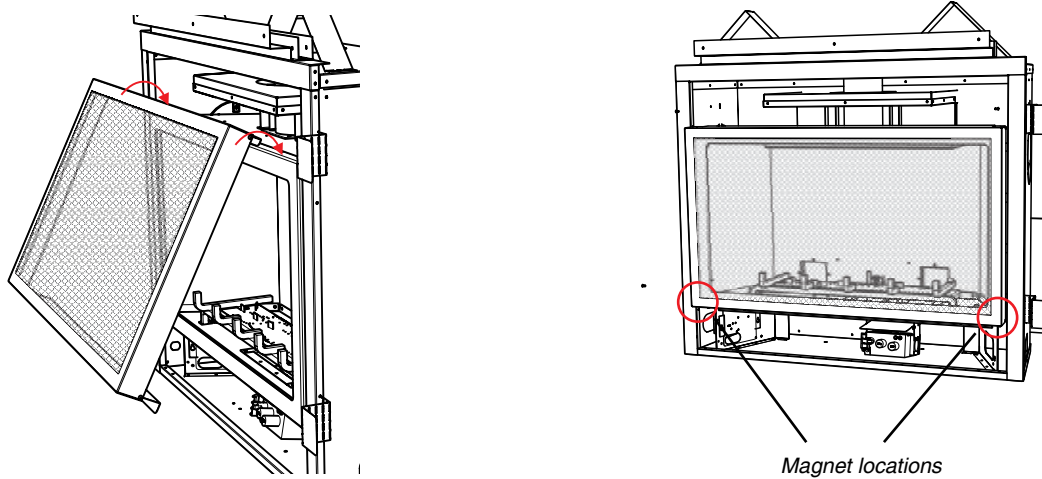
NOTE: Remove the safety screen, Vignette Faceplate (P33 units only: remove 2 screws securing lower legs of Faceplate) and glass door prior to installing the Finishing Trim.

- 1) Install the Finishing Trim sides as shown in the diagram, line up the holes in the side trim with the holes in the firebox side.
- 2) Secure with one screw per side (on top, the bottom screw is installed after the Vignette faceplate bracket is in place P33/P33E only).
- 3) Loosen the 3 screws in the top inside edge of the firebox.
- 4) Slide the Finishing Trim Top over the Side Trim pieces and fit the bottom bracket slots over the screws. Tighten the 3 screws to secure.
- 5) Hook Vignette Faceplate brackets into place.
- 6) Line up the screw holes on the finishing trim and Vignette Faceplate bracket with the unit—fasten with one screw on each side.
- 7) Reinstall the glass door and safety screen.



SAFETY SCREEN INSTALLATION - MUST BE USED WITH OPTIONAL LOUVERS

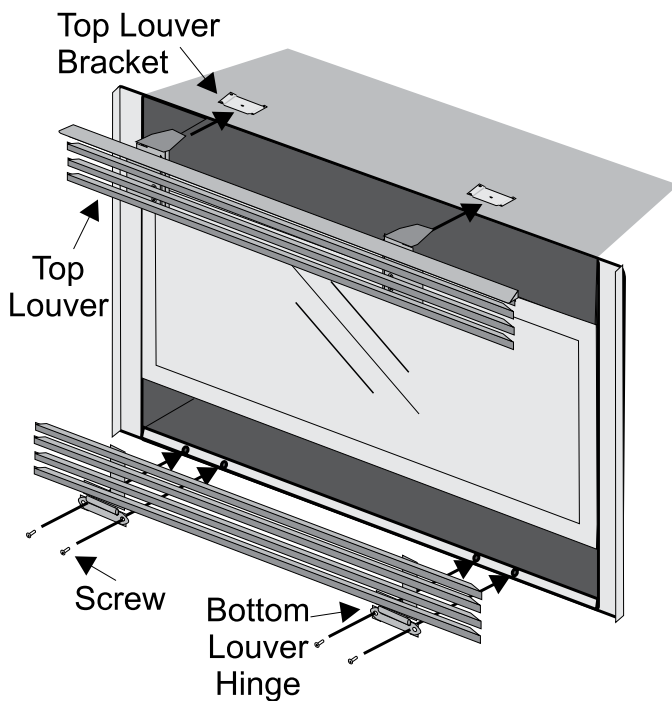
1. Hook the safety screen frame over the glass door frame.
2. Gently lower screen on to glass door frame—two (2) magnets located on inside lower part of the screen frame will secure the screen to the glass door frame.
3. To remove—reverse steps.



OPTIONAL FLUSH LOUVERS INSTALLATION - USED WITH SAFETY SCREEN # 515-929

1. Install the top louver by sliding the two bracket clips into the brackets located underneath the top of the firebox.
2. The bottom louver has a hinge that is attached (2 screws per hinge) to the lip on bottom of the unit.

Note: Top and bottom louvers are different.



OPERATING INSTRUCTIONS

1. Read and understand these instructions before operating this appliance.
2. Check to see that all wiring is correct and enclosed to prevent possible shock.
3. Check to ensure there are no gas leaks.
4. Make sure the glass in the door frame is properly positioned. Never operate the appliance with the glass removed.
5. Verify that the venting and cap are unobstructed.
6. Ensure that the brick panels, if used, are installed.
7. Verify log placement. If the pilot cannot be seen when lighting the unit, the logs have been incorrectly positioned.
8. The unit should never be turned off, and on again without a minimum of a 60 second wait.
9. Hook up remote receiver to wire marked 'receiver' which will be located on the bottom of the appliance. This remote control requires coding. See remote control instructions for details.

NOTE: This appliance will operate during power outages. Only the fan will not operate until power is restored. If the remote batteries in both the handheld transmitter or receiver lose power, the appliance can still be operated by sliding the switch on the receiver switch from "Remote" to "ON". To turn on the appliance off slide the receiver switch from "ON" to "Remote" or "OFF".

IMPORTANT: The remote control system supplied with this appliance has several options for starting/operating the appliance, please read the remote control operating instructions (packed with remote control) to understand how to operate this remote system. Option to download remote functions video with QR code below.



Proflame video

LIGHTING PROCEDURE

IMPORTANT
Prior to igniting or reigniting the pilot, remove the glass door.

Important: If the pilot does not hold, turn pilot knob to "OFF" position. Wait 5 minutes to clear gas. If you smell gas - STOP! Follow the safety information above. If you don't smell gas, repeat Steps 1-6.

1. Push in gas control knob slightly and turn to "PILOT" position.
2. Push in control knob all the way and hold in until the pilot lights up. Continue to hold the control knob in for about 20 seconds after the pilot is lit. Release knob.
3. Push in gas control knob slightly and turn to "ON" position.
4. Ensure the receiver is in the remote position.

Set Switch to Remote

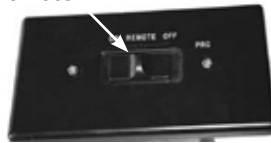


Diagram 1

5. Press and release the ON/OFF button on the remote handheld transmitter. An audible beep should be heard from the receiver.



ON/OFF Button

Diagram 2

Remote shown in Manual Mode on Hi

6. The unit will turn on.

SHUTDOWN PROCEDURE

1. Press "OFF" on the remote or slide receiver switch from remote to "OFF".
2. Turn the gas control knob to the "OFF" position to turn off the pilot.

Pilot may be shut off during prolonged non use periods to conserve fuel.

COPY OF THE LIGHTING PLATE INSTRUCTIONS

**FOR YOUR SAFETY READ BEFORE LIGHTING
POUR VOTRE SÉCURITÉ – À LIRE AVANT LA MISE EN MARCHÉ**

WARNING: If you do not follow these instructions exactly, a fire or explosion may result causing property damage, personal injury or loss of life. Improper installation, adjustment, alteration, service or maintenance can cause injury or property damage. Refer to the owner's information manual provided with this appliance. For assistance or additional information consult a qualified installer, service agency or gas supplier.

AVERTISSEMENT. Quiconque ne respecte pas à la lettre les instructions dans la présente notice risquent de déclencher un incendie ou une explosion entraînant des dommages, des blessures ou la mort. Une installation, d'ajustement, de modification, de service ou d'entretien peut provoquer des blessures ou des dommages matériels. Reportez-vous au manuel du propriétaire fourni avec cet appareil. Pour obtenir de l'aide ou des informations supplémentaires consulter un installateur qualifié, une agence de service ou fournisseur de gaz.

- A) This appliance has a pilot that must be lighted by hand. When lighting the pilot, follow these instructions exactly.
- B) **BEFORE LIGHTING** smell all around the appliance area for gas. Be sure to smell next to the floor because some gas is heavier than air and will settle on the floor.
- WHAT TO DO IF YOU SMELL GAS**
- Do not try to light any appliance.
 - Do not touch any electric switch, do not use any phone in your building.
 - Leave the building immediately.
 - Immediately call your gas supplier from a neighbours phone. Follow the gas supplier's instructions.
 - If you cannot reach your gas supplier, call the fire department.
- C) Use only your hand to push in or turn the gas control knob. Never use tools. If the knob will not push in or turn by hand, do not try to repair it; call a qualified service technician. Force or attempted repair may result in a fire or explosion.
- D) Do not use this appliance if any part has been under water. Immediately call a qualified service technician to inspect the appliance and replace any part of the control system and any gas control which has been underwater.
- A) Cet appareil est muni d'une veilleuse qui doit être allumée manuellement. Respectez les instructions ci-dessous à la lettre.
- B) **AVANT LA MISE EN MARCHÉ,** reniflrez tout autour de l'appareil pour déceler une odeur de gaz. Reniflrez au niveau du plancher, car certains gaz sont plus lourds que l'air et peuvent s'accumuler au niveau du sol.
- QUE FAIRE SI VOUS SENTEZ UNE ODEUR DE GAZ :**
- Ne tentez pas d'allumer l'appareil
 - Ne touchez à aucun interrupteur; n'utilisez pas de téléphones se trouvant dans le bâtiment.
 - Sortez du bâtiment immédiatement
 - Appelez immédiatement votre fournisseur de gaz depuis un téléphone extérieur. Suivez les instructions du fournisseur.
 - Si vous ne pouvez pas rejoindre le fournisseur, appelez le service incendie.
- C) Ne poussez ni ne tournez la manette d'admission du gaz qu'à la main. Ne jamais employer d'outil à cette fin. Si la manette reste coincée, ne tentez pas de la réparer; appelez un technicien qualifié. Quiconque tente de forcer la manette ou de la réparer peut provoquer une explosion ou un incendie.
- D) N'utilisez pas cet appareil s'il a été plongé dans l'eau, même partiellement. Faites inspecter l'appareil par un technicien qualifié et remplacez tout élément du système de contrôle ou de commande qui a été plongé dans l'eau.

CAUTION: Hot while in operation. Do not touch. Severe burns may result. Due to high surface temperatures keep children, clothing and furniture, gasoline and other liquids having flammable vapors away. Keep burner and control compartment clean. See installation and operating instructions accompanying appliance.

ATTENTION : Surfaces chaudes lorsque l'appareil est en marche. Ne pas toucher. Risque de brûlures graves. En raison des températures élevées, les enfants, les vêtements et le mobilier, le carburant et tout autre liquide aux vapeurs inflammables doivent être tenus éloignés de l'appareil. Nettoyer régulièrement le brûleur et le compartiment des commandes. Voir les signes d'installation et d'utilisation fournies avec l'appareil.

LIGHTING INSTRUCTIONS / CONSIGNES D'ALLUMAGE

1) **STOP! Read the safety information above on this label.**
This appliance is equipped with an on-demand pilot that shuts off after seven days.

2) Push in gas control knob slightly and turn clockwise to "OFF". Knob cannot be turned from "PILOT" to "OFF" unless knob is pushed in slightly. Do not force.

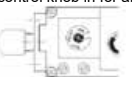


3) Wait five (5) minutes to clear out any gas. If you then smell gas STOP! Follow step "B" in the Safety Information above on this label. If you don't smell gas, go to the next step.

4) Push in gas control knob slightly and turn counterclockwise to "PILOT" position.

5) Push in control knob all the way and hold in until the pilot lights. Continue to hold the control knob in for about 30 seconds after the pilot lights. Release the knob.

6) Push in gas control knob slightly and turn counterclockwise to "ON" position.



7) Turn on the flame switch.

1) **STOP ! Lire les instructions de sécurité sur la portion supérieure de cette étiquette.**
Cet appareil est équipé d'une veilleuse sur demande qui s'éteint après sept jours.

2) Enfoncer légèrement le bouton de commande de gaz et tournez dans le sens horaire en position OFF. Le bouton ne peut pas être tourné du PILOT à OFF à moins que le bouton soit enfoncé légèrement. Ne forcez pas.

3) Attendre cinq (5) minutes pour laisser échapper tout le gaz. Si vous sentez une odeur de gaz, ARRÊTEZ! Passez à l'étape "B" des instructions de sécurité sur la portion supérieure de cette étiquette. S'il n'y a pas d'odeur de gaz, passez à l'étape suivante.

4) Enfoncer légèrement le bouton de commande de gaz et tournez dans le sens antihoraire en position PILOT.

5) Pousser le bouton de commande de gaz à fond et le maintenir enfoncé jusqu'à ce que la veilleuse s'allume. Maintenir le bouton de commande de gaz enfoncé pendant environ 30 secondes après l'allumage de la veilleuse. Relâcher le bouton de commande de gaz.

6) Enfoncer légèrement le bouton de commande de gaz et tourner dans le sens antihoraire en position 'ON'.



TO TURN OFF GAS TO APPLIANCE / POUR COUPER LE GAZ AU NIVEAU DE L'APPAREIL

1) Turn off the flame switch.

2) Push in the gas control knob slightly and turn clockwise to "OFF". Do not force.

3) Turn off all electric power to the appliance if service is to be performed.
You may shut off the pilot during prolonged non use periods to conserve fuel.

1) Fermer l'interrupteur de flamme.

2) Enfoncer légèrement le bouton de commande de gaz et tournez dans le sens horaire en position OFF. Ne pas forcer.

3) Avant d'effectuer des opérations d'entretien, couper l'alimentation électrique de l'appareil.
Pour économiser le carburant, vous pouvez éteindre la veilleuse lorsque l'appareil reste longtemps inutilisé.

**DO NOT REMOVE THIS INSTRUCTION PLATE
NE PAS ENLEVER CETTE ÉTIQUETTE D'INSTRUCTIONS**

920-438

FIRST FIRE

The first fire in your fireplace is part of the paint curing process. To ensure that the paint is properly cured, it is recommended that you burn your fireplace for at least four (4) hours the first time you use it with the fan on.

When first operated, the unit will release an odour caused by the curing of the paint, the burning off of any oils remaining from manufacturing. Smoke detectors in the house may go off at this time. Open a few windows to ventilate the room for a couple of hours.

The glass panel may require cleaning after the unit has cooled down.

DO NOT ATTEMPT TO CLEAN THE GLASS WHILE IT IS HOT.

Note: When the glass is cold and the appliance is lit, it may cause condensation and fog the glass. This condensation is normal and will disappear in a few minutes as the glass heats up.

DO NOT BURN THE APPLIANCE WITHOUT THE GLASS FRONT IN PLACE.

During the first few fires, a white film may develop on the glass front as part of the curing process. The glass should be cleaned or the film will bake on and become very difficult to remove. Use a non-abrasive cleaner and NEVER clean the glass while it is hot.

AERATION ADJUSTMENT

The air shutter can be adjusted by moving the adjusting wire up or down. The wire is accessed through the bottom louver opening. Open the air shutter for a blue flame or close for a yellower flame. The burner aeration is factory set but may need adjusting due to either the local gas supply or altitude.

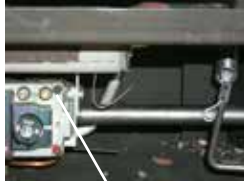
Minimum Air Shutter Opening:

3/16"	Natural Gas
1/4"	Propane

CAUTION: Carbon will be produced if air shutter is closed too much.

Note: Any damage due to carboning resulting from improperly setting the aeration controls is NOT covered under warranty.

Note: Aeration Adjustment should only be performed by an authorized Regency Installer at the time of installation or service.



Adjustment wire: Push to close or pull to open aeration cap.

Closed - Tall yellow
Open - Short Blue

NORMAL OPERATING SOUNDS OF GAS APPLIANCES

It is possible that you will hear some sounds from your gas appliance. This is perfectly normal due to the fact that there are various gauges and types of steel used within your appliance. Listed below are some examples. All are **normal operating sounds** and should not be considered as defects in your appliance.

Blower:

Regency gas appliances use high tech blowers to push heated air farther into the room. It is not unusual for the fan to make a "whirring" sound when ON. This sound will increase or decrease in volume depending on the speed setting of your fan speed control.

Burner Tray:

The burner tray is positioned directly under the burner tube(s) and logs and is made of a different gauge material from the rest of the firebox and body. Therefore, the varying thicknesses of steel will expand and contract at slightly different rates which can cause "ticking" and "cracking" sounds. You should also be aware that as there are temperature changes within the unit these sounds will likely re-occur. Again, this is normal for steel fireboxes.

Blower Thermodisc:

When this thermally activated switch turns ON it will create a small "clicking" sound. This is the switch contacts closing and is normal.

Pilot Flame:

While the pilot flame is on it can make a very slight "whisper" sound.

Gas Control Valve:

As the gas control valve turns ON and OFF, a dull clicking sound may be audible, this is normal operation of a gas regulator or valve.

Unit Body/Firebox:

Different types and thicknesses of steel will expand and contract at different rates resulting in some "cracking" and "ticking" sounds will be heard throughout the cycling process.

MAINTENANCE INSTRUCTIONS

- 1) Always turn off the gas valve before cleaning. For relighting, refer to lighting instructions. Keep the burner and control compartment clean by brushing and vacuuming at least once a year. When cleaning the logs, use a soft clean paint brush as the logs are fragile and easily damaged.
- 2) Clean appliance and door with a damp cloth (never when unit is hot). Never use an abrasive cleaner. The glass should be cleaned with a gas fireplace glass cleaner. **The glass should be cleaned when it starts looking cloudy.**
- 3) The heater is finished in a heat resistant paint and should only be refinished with heat resistant paint. FPI uses StoveBright Paint - Metallic Black #6309.
- 4) Make a periodic check of burner for proper position and condition. Visually check the flame of the burner periodically, making sure the flames are steady; not lifting or floating. If there is a problem, call a qualified service person.
- 5) The appliance and venting system must be inspected before use, and at least annually, by a qualified field service person, to ensure that the flow of combustion and ventilation air is not obstructed.

Note: Never operate the appliance without the glass properly secured in place.

- 6) Do not use this appliance if any part has been under water. Immediately call a qualified service technician to inspect the appliance and to replace any part of the control system and any gas control which has been under water.
- 7) Verify operation after servicing.

GENERAL VENT MAINTENANCE

Conduct an inspection of the venting system semi-annually. Recommended areas to inspect as follows:

- 1) Check the Venting System for corrosion in areas that are exposed to the elements. These will appear as rust spots or streaks, and in extreme cases, holes. These components should be replaced immediately.
- 2) Remove the Cap, and shine a flashlight down the Vent. Remove any bird nests, or other foreign material.
- 3) Check for evidences of excessive condensation, such as water droplets forming in the inner liner, and subsequently dripping out the joints, Continuous condensation can cause corrosion of caps, pipe, and fittings. It may be caused by having excessive lateral runs, too many elbows, and exterior portions of the system being exposed to cold weather.
- 4) Inspect joints, to verify that no pipe sections or fittings have been disturbed, and consequently loosened. Also check mechanical supports such as Wall Straps, or plumbers' tape for rigidity.

LOG REPLACEMENT

The unit should never be used with broken logs. Turn off the gas valve and allow the unit to cool before opening door and carefully remove the logs. (The pilot light generates enough heat to burn someone.) If for any reason a log should need replacement, you must use the proper replacement log. The position of these logs must be as shown in the diagrams under Log Installation.

Note: Improper positioning of logs may create carbon build-up and will severely alter the unit's performance which is not covered under warranty.

THERMOPILE/ THERMOCOUPLE

1. Remove faceplate, safety screen and glass door.
2. Remove Logs and burner (if installed).
3. Remove rear log tray by removing 2 screws.
4. Remove pilot assembly by removing 2 screws.
5. Pull pilot assembly up slightly and loosen the thermocouple or thermopile with a 7/16" wrench.
6. Loosen the thermocouple or thermopile with a 7/16" wrench.
7. Disconnect thermocouple by loosening nut from the valve with a 9mm wrench. Disconnect thermopile by loosening 2 screws marked TP on the valve.
8. Drop the thermocouple or thermopile down from the bracket and pull it out of the unit.
9. Reinstall the new ones in reverse order.

GLASS GASKET

If the glass gasket requires replacement use a tadpole glass gasket for the Flush Front (Part # 846-697).

DOOR GLASS

Your FPI fireplace is supplied with high temperature, 5 mm Neoceram ceramic glass that will withstand the highest heat that your unit will produce. If your glass requires cleaning, we recommend using an approved glass cleaner available at all authorized dealers. Do not use abrasive materials. Do not clean the glass when hot.

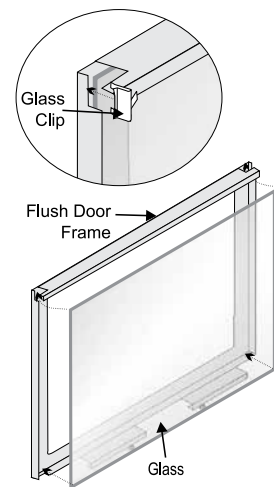
In the event that you break your glass by impact, purchase your replacement from an authorized FPI dealer only, and follow our step-by-step instructions for replacement. Part #940-090/P - Replacement Glass (Includes Glass Gasket).

WARNING: Do not operate the appliance with the glass panels removed, cracked or broken. Replacement of the glass panels should be done by a licensed or qualified service person.

Caution: Wear gloves when removing damaged or broken glass.

FLUSH GLASS REPLACEMENT

Remove the flush door front. Remove the 4 glass clips from each corner. Slide in the new replacement glass. Push the 4 glass clips back onto the frame. **The glass must have gasketing around it.**



REMOVING VALVE

1. Shut off the gas and electrical supply.

- 2. Remove the faceplate.
- 3. Remove the safety screen and glass door.
- 4. Remove the logs.
- 5. Remove the burner/grate assembly by removing the two screws and then lift the burner assembly out.

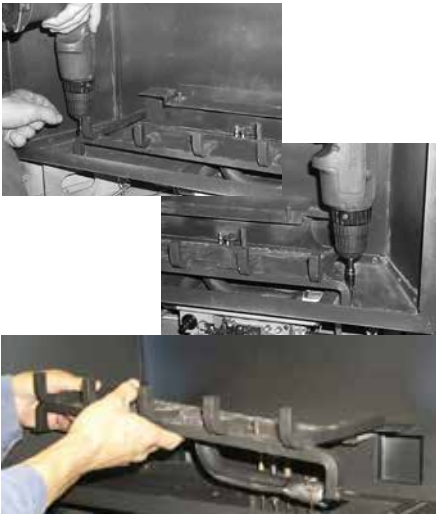


Diagram 1: Remove the left and right screws and then lift out the burner/grate assembly.

- 6. Remove the rear log stand by removing the 2 screws.
- 7. Disconnect the inlet gas line.
- 8. Disconnect the 2 TP wires and the 2 TH wires from the valve.
- 9. Remove 2 screws to remove the log stand—see below.

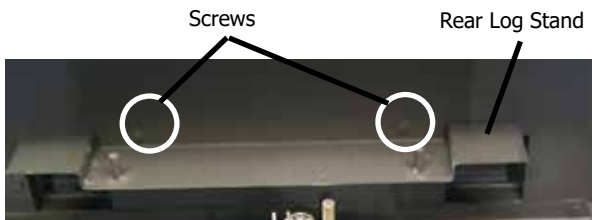


Diagram 2: Rear Log Stand

- 10. Remove 10 screws securing the valve tray assembly in place (Diagram 3) and then lift the entire assembly out (Diagram 4).

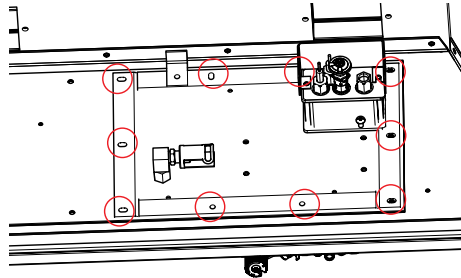


Diagram 3: Valve Tray Assembly Screws

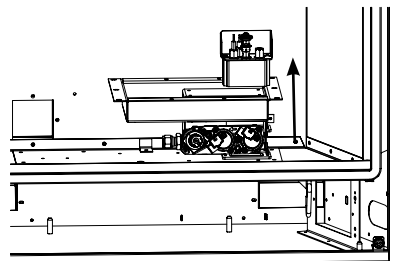


Diagram 4: Lift out Valve Tray Assembly

- 11. Undo the pilot tube from the valve with a 7/16" wrench.
- 12. Undo the quick drop out thermocouple nut on the valve with a 9mm (metric) wrench.
- 13. Unplug park ignition and two connection wires at DC sparker.
- 14. Undo the "gas out" flare nut with a 13/16" wrench.
- 15. Undo the "gas out" flare fitting with an 11/16" wrench.
- 16. Remove the 4 screws from the sides of the valve bracket and remove valve.

Hint: If you are using black pipe, ensure that there is a union by the valve, otherwise removal will be almost impossible.

INSTALLING VALVE

- 1. Attach the valve to the valve bracket with the 4 (m5x8 metric) screws provided.
- 2. Reconnect the "gas out" flare fitting with an 11/16" wrench.
- 3. Reconnect the "gas out" flare nut with a 13/16" wrench.
- 4. Install piezo ignitor push button assembly and reconnect wire.
- 5. Reconnect the quick drop out thermocouple nut with a 9mm wrench.
- 6. Reconnect the pilot tube nut with a 7/16" wrench.
- 7. Scrape off the old gasket from the floor of the firebox and from the valve tray assembly.
- 8. Install a new gasket and reinstall the valve tray assembly.

Note: Failure to install a new gasket may severely affect the appliance performance.

- 9. Reinstall the 10 hold down screws.
- 10. Hook up the 2 TP and 2 TH wires to the appropriate connections on the valve.
- 11. Reinstall the front log stand.
- 12. Install Burner/grate assembly
- 13. Hook up the gas line and check for gas leaks with a soap and water solution or a gas leak detector. (Do not use open flame for leak testing.)
- 14. Fire up the unit temporarily
- 15. Check the manifold pressure.
- 16. Reinstall the logs and brick panels as needed.
- 17. Close the door and replace the louvers.
- 18. Fire up the unit again and check for proper flame appearance and glow on logs.

GAS MAINTENANCE

In order for your Regency appliance to continue to provide comfort to your home periodic maintenance must be performed to ensure it is operating at peak efficiency. The items in the list should be checked by a licensed gas service technician during the annual service check. Your unit may require more frequent maintenance checks if you notice any changes in how it operates. Operational changes to look for can include, but are not limited to, extended start up time, increased fan noise, residue/carbon build up, white build up on the glass/firebox, increased operating noise etc. Should any of these or other conditions arise, discontinue use and schedule a service check with your local licensed gas technician. The list below shows items your licensed service technician will need to check and service at least annually.

Clean

- Glass
- Interior bricks / panels
- Burner ports & burner air shutter
- Fan blades
- Log set
- Pilot orifices
- Pilot hood (change as needed)
- Flame sensor (electronic ignition models)
- Flame electrode
- Burner orifice
- Thermocouple (millivolt models)
- Thermopile (millivolt models)

Inspect

- Pilot assembly
- Burner
- Pressure relief gaskets/doors
- Flue connector gasket if present
- Door seal
- Firebox
- Venting
- Batteries (remote handheld, remote receiver, DC sparker, change as needed)
- Burner media (change as needed)
- Air shutter setting
- Wiring

Check

- Voltage on thermocouple/thermopile (millivolt models)
- Ohms reading on flame sense (electronic ignition models)
- Inlet/outlet fuel pressures as per rating plate
- Voltage/ohms readings on gas valve
- Ohms reading to on/off switch circuit (Millivolt models)

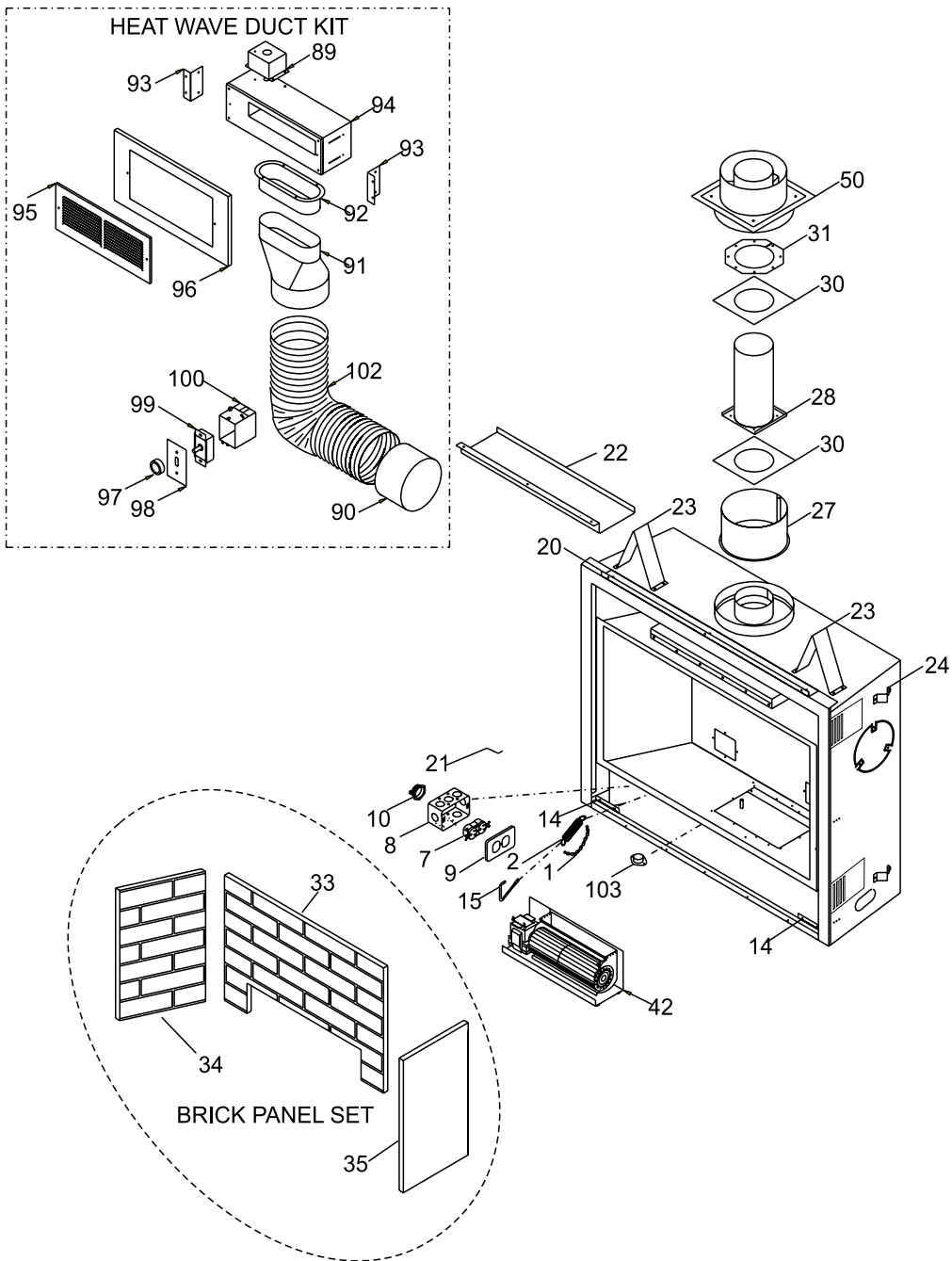
Gas Leak Tests

- Check main gas line connection to valve
- Check shut off valve connections
- Check connection at gas valve outlet
- Check connection at main burner orifice
- Check pilot fuel line at valve and at pilot assembly

MAIN ASSEMBLY

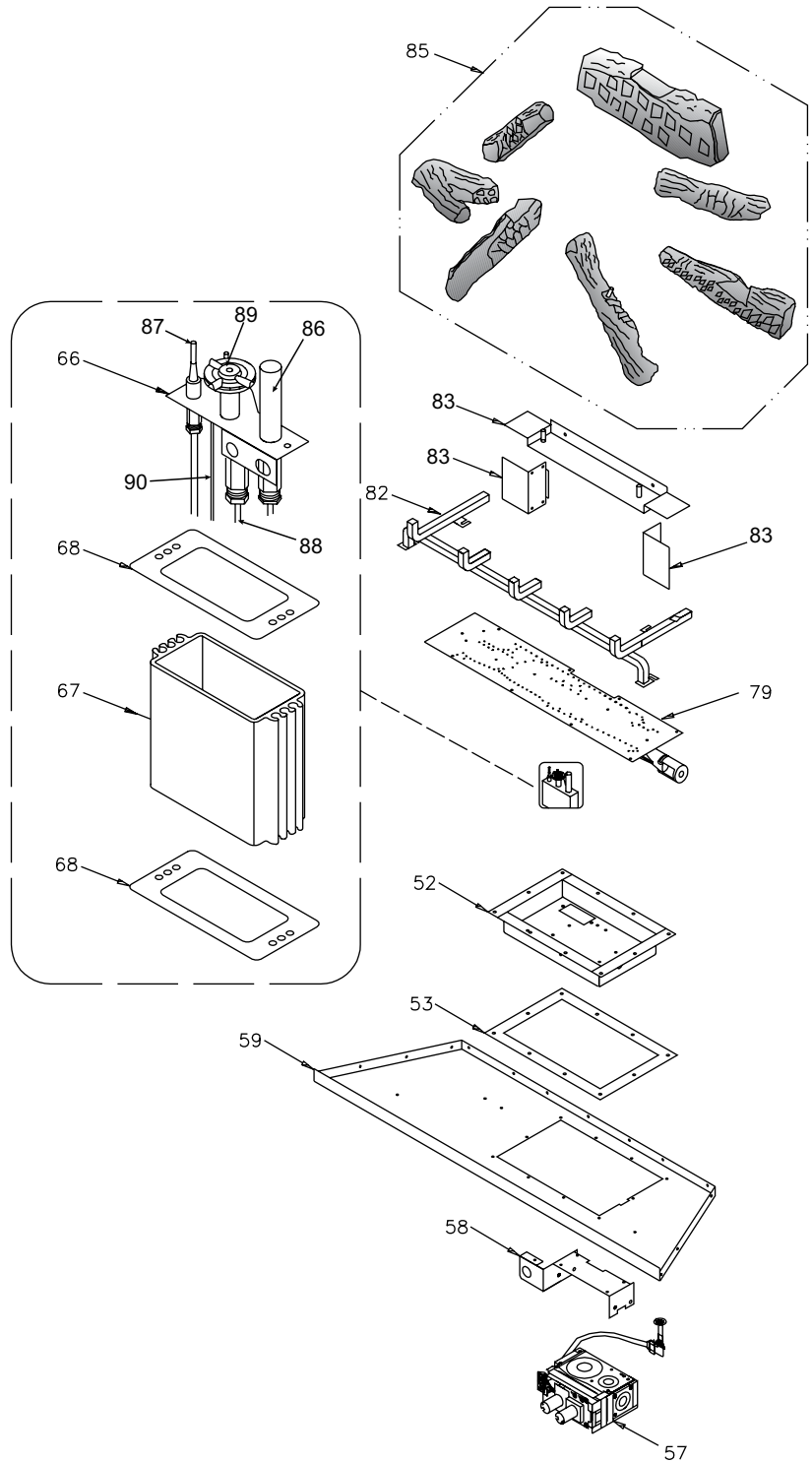
Part #	Description	Part #	Description
1	948-045 Chain		Burner
2	948-025 Spring	438-917	Fan Assembly 120V
7	910-428 Duplex Receptacle	42	910-331/P Replacement Fan Motor (120 V)
8	910-429 Box - Receptacle	50	510-994 Rigid Pipe Adaptor
9	910-430 Cover - Receptacle		512-518 Door Frame Assembly c/w Glass Gasket
10	904-687 Clamp Connector		511-045 Door Flame Only (No Glass)
14	510-026 Hinge Bracket - Left/Right		940-090/P Replacement Glass (Includes Glass Gasket)
15	948-253 Door Handle		846-697 Glass Gasket Tadpole Tape (12') (936-155)
20	510-033 Top Nailing Strip		904-691 Glass U Clip (each) - 4 per unit
22	510-153 Baffle Plate		
23	510-011F Standoff - Top		
24	511-044 Standoff - Side/Back	946-556	Heat Wave Duct Kit (Optional)
27	* Outer Flue Collar	89	946-004 Junction Box
28	* Inner Flue Collar Assy	90	946-000 Round Duct Adaptor
30	* Gasket for Flue Collar	91	946-002 Round to Oval Adaptor
31	* Flue Mounting Plate	92	946-001 Oval Duct Adaptor
		93	946-007 Angle Bracket
	780-901 Brick Panel Set - Standard (Brown)	94	946-517/P Fan Assembly - Heat Wave
	780-902 Brick Panel Set	95	946-006 Grill Plate - White
	- Standard Red	96	946-005-AWT Wall Adaptor
	780-903 Brick Panel Set	97	910-417 Knob-White
	- Herringbone Brown	98	910-366 Switch Cover Plate
		99	910-412 Fan Speed Controller
33	* Brick Panel - Back	100	910-367 Box-Plastic Switch Receptacle
34	* Brick Panel - Left	102	946-010 Flexible Air Duct
35	* Brick Panel - Right		946-038 Insulation 6" Dia. x 24"
	511-031 Brick Clips (each)	103	910-142 Fan Thermodisc
		919-444	Manual
		515-969	Conversion Kit - NG to LP

*Not available as a replacement part.



BURNER ASSEMBLY & LOG SET

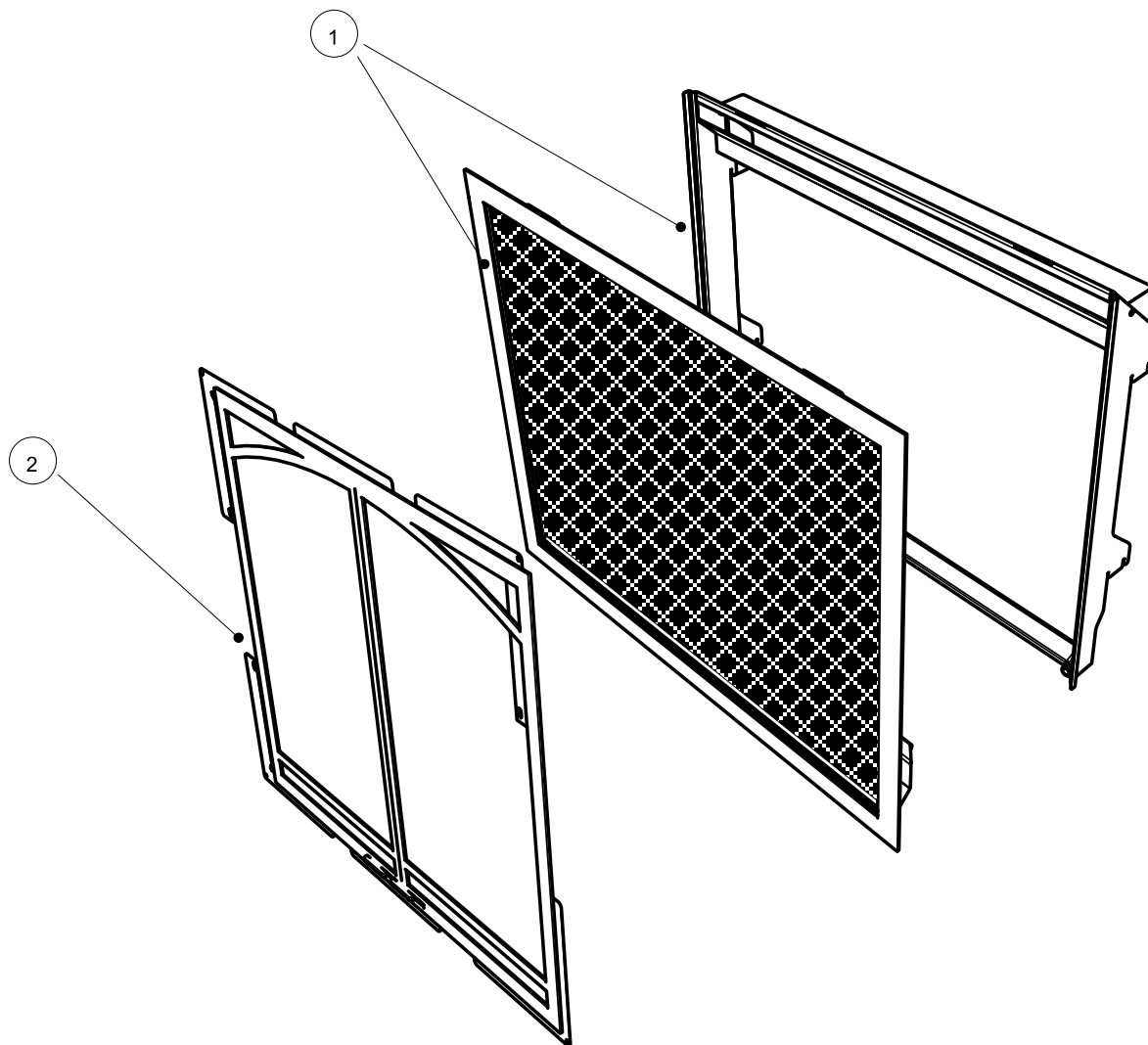
Part #	Description
782-574/P	Valve Assy - Natural Gas
782-576/P	Valve Assy - Propane
52	* Valve Tray - NG/LP
53	430-055 Gasket - Valve Access Plate
57)	910-578 SIT Valve 829 - NG
57)	910-580 SIT Valve 829 - NG
58)	* Valve Bracket
59)	* Firebox Base
66)	910-038/P Pilot Assy - S.I.T. - 3 Flame NG
	910-039/P Pilot Assy - S.I.T. - 3 Flame LP
67)	* Pilot Holder
68)	W840470 Pilot Assembly Gasket
	904-240 Orifice #37 - Natural Gas
	904-390 Orifice #52 - Propane
	936-170 Orifice Gasket
	910-036 Pilot Orifice NG
	910-037 Pilot Orifice LP
79)	791-535 Burner Assy NG/LP
82)	511-030 Burner Grate Assy
83)	780-520 Rear Log Support Bracket
84)	* Deflector
85)	780-930 Oak Log Set
	902-156 Lava Rocks
	902-600 Brick Panel Bottom/Ember Base
	946-669 Platinum Bright Embers
	946-708 Embaglow Bright Embers
86)	910-341 Thermopile
87)	910-386 Thermocouple
88)	910-432 Pilot Tube w/nuts
89)	910-096 Pilot Hood
90)	910-030 Spark electrode
	911-338/P Remote Receiver
	910-592 Remote Transmitter (hand held) - Silver
	911-335 Wall Cover Plate White
	911-343 Wall Cover Plate Black
	911-030 Fan Control Module
	910-581 Stepper Motor NG
	910-582 Stepper Motor LP
	910-073 DC Spark Box
	910-074 DC Spark Box Wire



*Not available as a replacement part.

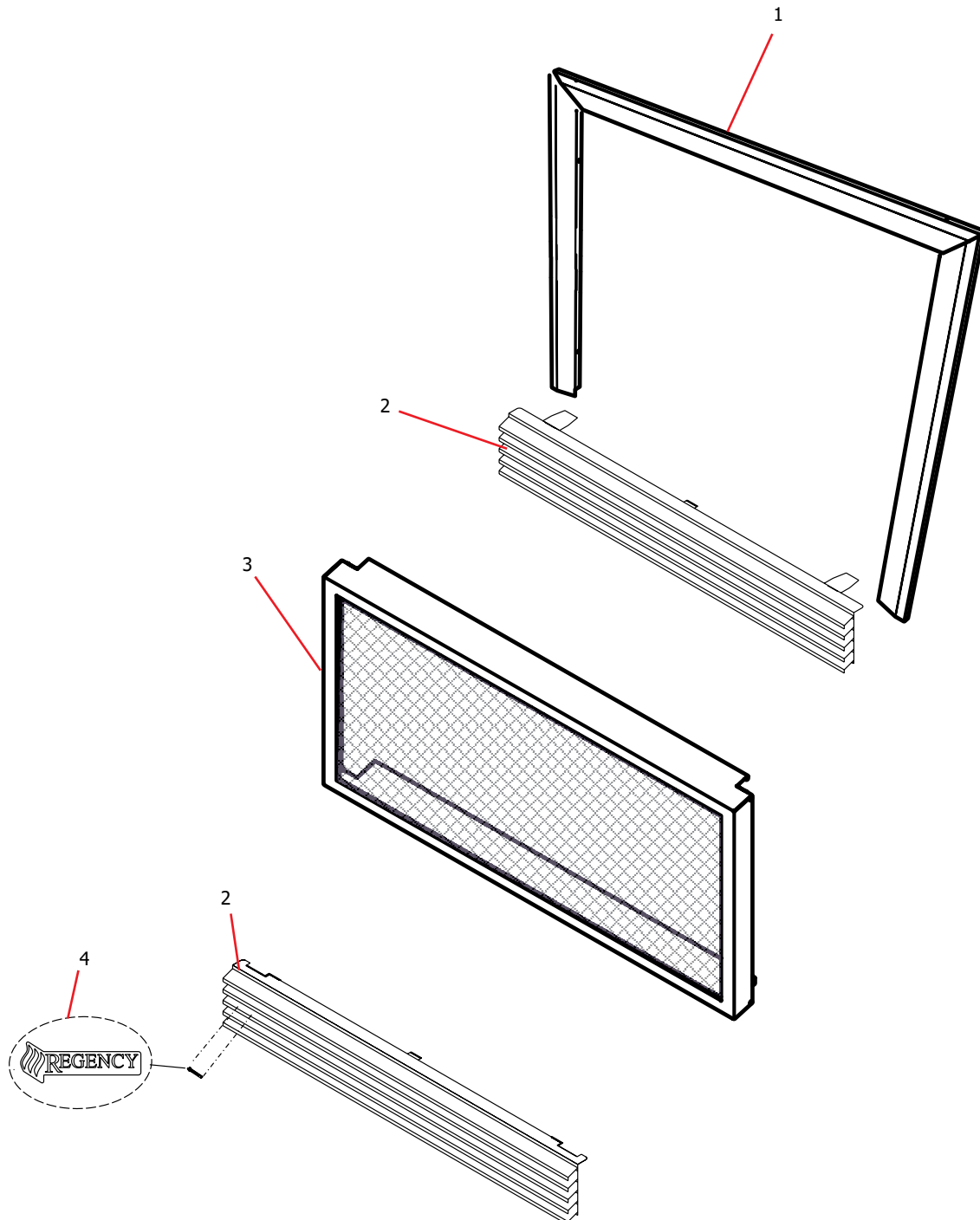
VIGNETTE FACEPLATE AND FINISHING TRIM

	Part #	Description
1	515-922	Vignette Platinum
	515-923	Vignette Black Chrome
	515-924	Vignette Black
	515-926	Vignette Tuscan Sunset
2	515-918	Vignette Door Inlay Black Chrome
	515-919	Vignette Door Inlay Metallic Black
	515-920	Vignette Door Inlay Tuscan Sunset
	515-922	Vignette Front Platinum
*	515-928	Vignette Finishing Trim w/NCB
*		Not Shown



SAFETY SCREEN AND LOUVERS

	Part #	Description
1	510-986	3 Sided Finishing Trim
2	510-922	Flush louvers black
3	515-929	Safety Screen
4	948-223	Regency® Logo Plate



Indoor Gas Product Warranty

Limited Lifetime Warranty

FPI Fireplace Products International Ltd. (for Canadian customers) and Fireplace Products US, Inc. (for US customers) (collectively referred to herein as "FPI") extends this Limited Lifetime Warranty to the original purchaser of this Appliance provided the product remains in the original place of installation. The items covered by this Limited Lifetime Warranty and the period of such coverage are set forth in the table below.

An Appliance in this policy is defined as an Indoor Gas Fireplace, Indoor Gas Insert, Indoor Gas Freestanding Stove.

This Appliance has only been certified and listed for use indoors.

This Limited Lifetime Warranty starts on the day the Appliance was purchased.

The Limited Lifetime Warranty is not transferable, amendable or negotiable under any circumstances.

Indoor Gas Products Warranty Coverage Parts and Labor	Limited Lifetime	5 years	2 years	1 year	Subsidized Labor Coverage* (Years)
Firebox and Heat Exchanger	✓				3
Steel Burner Tube	✓				3
Glass Thermal breakage only	✓				3
All painted Surrounds/Inlays Finishes		✓			3
Brick Panels/Log sets/Ceramic Burners		✓			3
All Castings		✓			3
Valve assembly and all gas control components (Pilot assembly, flame sensors, Spark Electrode, Pilot Tubing, Orifices, Thermocouple, Thermopile)			✓		2
All Other Electrical components (Ignition Control Boards, Wiring, Switches, Blowers, Blower Control Module, Battery Pack, Remote Control Systems)			✓		2
Enamel Panels			✓		1
Venting/Venting Components			✓		1
All Stainless steel surrounds All black chrome Brushed nickel/Antique copper Faceplates/surrounds All Inner/Outer Black Glass panels				✓	1
All Firebox Media (Crystals, Fire beads, Volcanic, Ceramic, Spa Stones, River Pebbles)				✓	1
All hardware				✓	1
WIFI Dongle				✓	1
Mesh/Glass Safety Barriers				✓	1
Accent Light Bulbs				✓	1
Glass (Crazing)				✓	1

Note: Warranty coverage noted above may not be applicable as components/options vary based on appliance purchased.

Conditions:

Warranty protects against defect in manufacture or FPI factory-assembled components only, unless herein specified otherwise.

***This warranty does not cover dealer travel costs, mileage, fuel, tolls for diagnostic or service work. All labor rates paid to authorized dealers are subsidized, pre-determined rates. Dealers may charge you for travel and additional time beyond their subsidy.**

Any part(s) found to be defective during the warranty period as outlined above will be repaired or replaced at FPI's option through an accredited distributor, dealer or pre-approved and assigned agent; provided that the defective part is returned to the distributor, dealer or agent for inspection if requested by FPI. Alternatively, FPI may, at its discretion, fully discharge all of its obligations under warranty by refunding the verified purchase price of the product to the original purchaser. The purchase price must be confirmed by the original Bill of Sale. **The authorized selling dealer, or an alternative authorized FPI dealer if pre-approved by FPI, is responsible for all in-field diagnosis and service work related to all warranty claims. FPI is not responsible for results or costs of workmanship of unauthorized FPI dealers or agents in the negligence of their service work.**

At all times, FPI reserves the right to inspect reported in the field/on location complaints of products claimed to be defective before processing or authorizing any claim. Failure to allow this upon request will void the warranty.

All warranty claims must be submitted by the dealer servicing the claim, including a copy of the Bill of Sale (proof of purchase by you). All claims must be complete and provide full details as requested by FPI to receive consideration for evaluation. **Incomplete claims may be rejected.**

Replacement Appliances to the original purchaser are limited to one per warranty term. Appliances must be installed according to all manufacturers' instructions as per the manual. All Local and National required codes must be met.

The installer is responsible for ensuring the Appliance is operating as designed at the time of installation.

The original purchaser is responsible for the annual maintenance of the Appliance, as outlined in the owner's manual. As outlined below, the warranty may be voided due to problems caused by a lack of maintenance.

Purchased parts: Repair/replacement parts purchased by the consumer from FPI after the original coverage has expired on the Appliance will carry a **90-day** warranty from the purchase date, valid with a receipt only. Any item shown to be defective will be repaired or replaced at our discretion. No labor coverage is included with these parts.

Special Finishes - One year on brushed nickel, black chrome and antique copper faceplates/surrounds. You can expect some changes in color as the product "ages" with constant heating and cooling. FPI warrants the product for any manufacturing defects on the original product. However, the manufacturer's warranty does not cover changing colors and marks, i.e. fingerprints, etc. applied after the purchase of the product. Damage from the use of abrasive cleaners is not covered by warranty.

If freight damage has been found either externally or internally, the dealer must be informed within 3 days. All claims as a result of damage must be submitted by the dealer servicing the claim, including a copy of the Bill of Sale (proof of purchase). All claims must be complete and provide full details as requested by FPI to receive consideration for evaluation. **Incomplete claims may be rejected.**

As this is a Limited Lifetime Warranty, if the Appliance needs to be replaced, the Appliance that was purchased at the time of sale might not be replaced with exactly the same model Appliance. In that case, FPI will replace your Appliance with one that is similar at the time of replacement under the terms of this Limited Lifetime Warranty, but **ONLY** in the event that an item covered by the Limited Lifetime Warranty is found to be defective. Please refer to the table on first page of this warranty for items covered by the Limited Lifetime Warranty. Product changes might be the result of the original Appliance being discontinued, changes in regulatory requirements, product advancements, etc., which are beyond the control of FPI. **This Limited Lifetime Warranty does not cover any installation costs, or costs associated with changes of required clearances for the replacement Appliance, hearth pads, mantles, facing and/or facing materials such as framing, completed walls made of drywall, wood, non-combustible board, tile, brick, stone, marble etc., venting/chimney systems, or components of the chimney system.**

If a suitable replacement is not available, FPI will refund **50%** of the purchase price of the Appliance and any applicable FPI accessories (faceplates, brick panels, media, etc.) purchased at the time of sale. **In no event will FPI refund any portion of the purchase price of, or reimburse costs associated with, any other items, including without limitation, installation of a new Appliance, changes of required clearances for a new Appliance, hearth pads, mantles, facing and/or facing materials such as framing, completed walls made of drywall, wood, non-combustible board, tile, brick, stone, marble etc., venting/chimney systems, or components of the chimney system. A copy of the receipt or bill of sale will be necessary to validate the purchase price.**

Exclusions:

This Limited Lifetime Warranty does not extend to paint, rust or corrosion of any kind due to a lack of maintenance or improper venting, combustion air provision, corrosive chemicals (i.e. chlorine, salt, air, etc.), door or glass gasketing, batteries, color fading, carbon/sooting of the log sets due to use and does not cover lava rock, platinum/glowing embers, vermiculite.

Malfunction, damage or performance-based issues as a result of environmental conditions, location, chemical damages, downdrafts, installation error, an installation by an unqualified installer, incorrect chimney components (including but not limited to cap size or type), operator error, abuse, misuse, use of improper fuels, lack of regular maintenance and upkeep, acts of God, weather-related problems from hurricanes, tornados, earthquakes, floods, lightning strikes/bolts or acts of terrorism or war, which result in a malfunction of the Appliance are not covered under the terms of this Limited Lifetime Warranty.

FPI has no obligation to enhance or modify any Appliance once manufactured (i.e. as products evolve, field modifications or upgrades will not be performed on existing Appliances).

Any Appliance showing signs of neglect or misuse will not be covered under the terms of this warranty policy and may void this warranty, including Appliances with rusted or corroded fireboxes that have not been reported as rusted or corroded within **three (3)** months of installation/purchase.

Appliances which show evidence of being operated while damaged, or with problems known to the purchaser and causing further damages will void this warranty.

Appliances where the serial no. has been altered, deleted, removed or made illegible will void this warranty.

Minor movement, expansion and contraction of the steel is normal and is not covered under the terms of this warranty.

Freight damages for products or parts are not covered under the terms of the warranty.

Products made or provided by other manufacturers and used in conjunction with the FPI Appliance without prior authorization from FPI may void this warranty.

Limitations of Liability:

The original purchaser's exclusive remedy under this warranty, and FPI's sole obligation under this Limited Lifetime Warranty, express or implied, in contract or in tort, shall be limited to replacement, repair, or refund, as outlined above. IN NO EVENT WILL FPI BE LIABLE UNDER THIS WARRANTY FOR ANY INCIDENTAL OR CONSEQUENTIAL COMMERCIAL DAMAGES OR DAMAGES TO PROPERTY. TO THE EXTENT PERMITTED BY APPLICABLE LAW, FPI MAKES NO EXPRESS WARRANTIES OTHER THAN THE WARRANTY SPECIFIED HEREIN. THE DURATION OF ANY IMPLIED WARRANTY IS LIMITED TO DURATION OF THE EXPRESSED WARRANTY SPECIFIED ABOVE. IF IMPLIED WARRANTIES CANNOT BE DISCLAIMED, THEN SUCH WARRANTIES ARE LIMITED IN DURATION TO THE DURATION OF THIS WARRANTY.

Some US states do not allow limitations on how long an implied warranty lasts, or allow exclusion or limitation of incidental or consequential damages, so the above limitations or exclusions may not apply to you.

Customers located outside the US should consult their local, provincial or national legal codes for additional terms, which may apply to this warranty.

How to Obtain Warranty Service:

Customers should contact the authorized selling dealer to obtain warranty service. In the event the authorized selling dealer is unable to provide warranty service, please contact FPI by mail at the address listed below. Please include a brief description of the problem and your address, email and telephone contact information. A representative will contact you to make arrangements for an inspection and/or warranty service.

Canadian Warrantor:**FPI Fireplace Products International Ltd.**

6988 Venture St.
Delta, British Columbia
Canada, V4G 1H4

U.S. Warrantor:**Fireplace Products US, Inc.**

PO Box 2189 PMB 125
Blaine, WA
United States, 98231

Or contact the Regency Customer Care Centre at 1-800-442-7432 (phone) / 604-946-4349 (fax)
/customerservice@regency-fire.com (e-mail)

Product Registration and Customer Support:

Thank you for choosing a Regency Fireplace. Regency strives to be a world leader in the design, manufacture, and marketing of hearth products. To provide the best support for your product, we request that you complete a product registration form at <http://www.regency-fire.com/Customer-Care/Warranty-Registration.aspx> within **ninety (90)** days of purchase.

Warranty Registration Card



Product Registration and Customer Support:

Thank you for choosing a Regency Fireplace. Regency strives to be a world leader in the design, manufacture, and marketing of hearth products. To provide the best support for your product, we request that you complete a product registration form found on our Web Site under Customer Care within ninety (90) days of purchase.

For purchases made in **CANADA or the UNITED STATES:**

<http://www.regency-fire.com/Customer-Care/Warranty-Registration.aspx>

For purchases made in AUSTRALIA:

<http://www.regency-fire.com.au/Customer-Care/Warranty-Registration.aspx>

You may also complete the warranty registration form below to register your Regency Fireplace Product and mail and/or fax it back to us, and we will register the warranty for you. It is important you provide us with all the information below in order for us to serve you better.

Warranty Registration Form (or Register online immediately at the above Web Site):

Warranty Details	
Serial Number (required):	
Purchase Date (required) (mm/dd/yyyy):	
Product Details	
Product Model (required):	
Dealer Details	
Dealer Name (required):	
Dealer Address:	
Dealer Phone #:	
Installer:	
Date Installed (mm/dd/yyyy):	
Your Contact Details (required)	
Name:	
Address:	
Phone:	
Email:	

For purchases made in CANADA:

FPI Fireplace Products International Ltd.
6988 Venture St.
Delta, British Columbia
Canada, V4G 1H4

Phone: 604-946-5155
Fax: 1-866-393-2806

For purchases made in the UNITED STATES:

Fireplace Products US, Inc.
PO Box 2189 PMB 125
Blaine, WA
United States, 98231

Phone: 604-946-5155
Fax: 1-866-393-2806

For purchases made in AUSTRALIA:

Fireplace Products Australia Pty Ltd
99 Colemans Road
Dandenong South, Vic.
Australia, 3175

Phone: +61 3 9799 7277
Fax: +61 3 9799 7822

For fireplace care and tips and answers to most common questions please visit our Customer Care section on our Web Site. Please feel free to contact your selling dealer if you have any questions about your Regency product.

recycling

PRODUCT LIFE CYCLE:

By recycling your used appliances, you divert waste from your local landfills and help the environment. You also reduce the need for raw materials to manufacture new products. Contact your local municipality for appliance recycling services, local recycling programs, or appliance removal services to ensure your Regency appliance components, and packaging are properly recycled.

Installer: Please complete the following information

Dealer Name & Address: _____

Installer: _____

Phone #: _____

Date Installed: _____

Serial #: _____