

# Owners & Installation

# Manual



## Panorama® PG33 Gas Inbuilt

Models:  
PG33NG4-R  
PG33LPG4-R



**FireGenie™**

### PLEASE KEEP THESE INSTRUCTIONS FOR FUTURE REFERENCE

#### LISTINGS AND CODE APPROVALS

These gas appliances have been tested in accordance with AS4533-2000, NZS 5262 and have been certified by the Australian Gas Association for installation and operation as described in these Installation and Operating Instructions.

Your unit should be serviced annually by an authorised service person.

#### WARNING:

Improper installation, adjustment, alteration, service or maintenance can cause injury or property damage. Refer to this manual. For assistance or additional information consult an authorised installer, service agency or the gas supplier.

#### FOR YOUR SAFETY

Do not store or use gasoline or other flammable vapours and liquids in the vicinity of this or any other appliance.

Installation and service must be performed by an authorised installer, service agency or the gas supplier.

#### FOR YOUR SAFETY

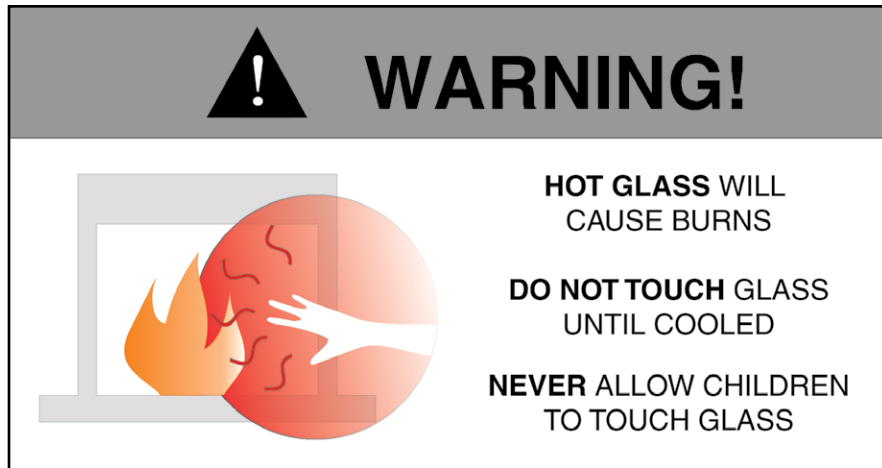
What to do if you smell gas:

- Do not try to light any appliance
- Do not touch any electrical switch: do not use any phone in your building.
- Immediately call your gas supplier from a neighbour's phone. Follow the gas supplier's instructions.
- If you cannot reach your gas supplier, call the fire department.

## TO THE NEW OWNER:

Congratulations!

You are the owner of a state-of-the-art Gas Stove by FPI FIREPLACE PRODUCTS INTERNATIONAL. The PG33 has been designed to provide you with all the warmth and charm of a wood fireplace. The model PG33 has been approved by the Australian Gas Association for both safety and efficiency. As it also bears our own mark, it promises to provide you with economy, comfort and security for many trouble free years to follow. Please take a moment now to acquaint yourself with these instructions and the many features of your Regency Fireplace.



**Data Badge**

Copy of Data Badge ..... 4

**Installation**

IMPORTANT: SAVE THESE INSTRUCTIONS ..... 5  
 Before You Start ..... 5  
 General Safety Information..... 5  
 Manufactured Mobile Home Additional Requirements .. 5  
 Installation checklist..... 6  
 Locating your gas stove..... 6  
 Unit dimensions ..... 7  
 Clearances ..... 7  
 Combustible mantels ..... 7  
 Mantel leg clearances..... 7  
 Framing and finishing ..... 8  
 Unit assembly ..... 9  
 Prior to installation ..... 9  
 Flueing introduction ..... 9  
 Exterior Flue Termination Locations ..... 10  
 Regency Direct Flue System (Flex)..... 11  
 Horizontal Terminations Only..... 11  
 Minimum Flex Kit Center-Line (NG & LPG)..... 11  
 Minimum Flex Kit Center-Line (ULPG)..... 11  
 Installation procedures ..... 12  
 Simpson Dura-Flue flueing ..... 13  
 Horizontal or Vertical Terminations ..... 13  
 Flueing arrangements - Vertical terminations ..... 14  
 Simpson dura-flue direct flue gs system..... 14  
 (NG, LPG & ULPG) ..... 14  
 Flueing arrangements - horizontal terminations ..... 16  
 Simpson dura-flue direct flue gs system and..... 16  
**REGENCY DIRECT FLUE SYSTEM (FLEX)** ..... 16  
 (NG, LPG & ULPG with ULPG Burner) ..... 16  
 Minimum ..... 16  
 Simpson Dura-Flue Center-Line..... 16  
 Minimum Flex Kit Center-Line ..... 16  
 Flueing arrangements - horizontal terminations ..... 17  
 Simpson dura-flue direct flue gs system and..... 17  
 Regency direct flue system (flex) ..... 17  
 (ULPG with NG/LPG Burner)..... 17  
 Horizontal installations..... 21  
 Vertical Termination ..... 22  
 Gas connection..... 23  
 Gas pipe pressure Testing..... 23  
 Aeration adjustment..... 23  
 Conversion from NG to LPG..... 24  
 Optional brick panels ..... 26  
**LOG SET INSTALLATION** ..... 26  
 Flush louvers ..... 27

Standard Flush Door ..... 28  
 Wiring ..... 29

**Operating Instructions**

Copy of the Lighting Plate instructions ..... 30  
 Remote control ..... 31  
 Lighting instructions..... 31  
 Resetting the unit..... 31  
 Shutdown instructions ..... 31  
 First fire..... 31  
 Operating instructions ..... 31  
 Fan operation ..... 32  
 Summary of controls ..... 32

**Maintenance**

Normal Operating Sounds of Gas Appliances ..... 32  
 Gold-plated or brass louvers/trim ..... 34  
 Log replacement..... 34  
 Glass Gasket..... 34  
 Door Glass..... 34  
 Fan replacement..... 35  
 Removing Valve tray..... 36

**Parts List**

Electronic components parts list..... 37  
 Main Assembly ..... 38  
 Burner & Log Assembly ..... 39  
 Flush Front & Louvers ..... 40

**Warranty**

Warranty ..... 41

# data badge

This is a copy of the label that accompanies each PG33 Gas Fireplace. We have printed a copy of the contents here for your review.  
**DATA BADGE NOTE:** Regency units are constantly being improved. Check the label on the unit and if there is a difference, the label on the unit is the correct one.

## Regency Gas Fireplace

Model	<input type="radio"/>	<input type="radio"/>	<input type="radio"/>	Distributed by:  Western Australia: <b>Air Group Australia</b> 28 Division St Welshpool, WA 6106  Eastern Australia: <b>Fireplace Products</b> Australia Pty. Ltd. 1 Conquest Way Hallam, VIC 3803  To be installed by an authorised person in accordance with installation instructions provided with the appliance.
<b>Gas Type</b>	<b>NG</b>	<b>LPG</b>	<b>ULPG</b>	
Model	<b>PG33NG4-R</b>	<b>PG33LPG4-R</b>	<b>PG33ULPG4-R</b>	
Gas Consumption	23.7mj.	23.5mj.	20.3mj.	
Manifold Pressure	0.95 kPa	2.61 kPa	2.40 kPa	
Injector Size	1x#44	1x#54	1x#55	
	2.18mm	1.4mm	1.32mm	
<b>AGA 6702 G</b> <b>AS 4553</b>				

**Electrical: 240VAC 50Hz 1.0 amp max.**

**N2134**

Serial Number **269**

918-326e

**DO NOT** OPERATE THIS APPLIANCE BEFORE READING THE INSTRUCTIONS BOOKLET.  
**DO NOT** PLACE ARTICLES ON OR AGAINST THIS APPLIANCE  
**DO NOT** USE OR STORE FLAMMABLE MATERIALS NEAR THIS APPLIANCE.  
**DO NOT** SPRAY AEROSOLS IN THE VICINITY OF THIS APPLIANCE WHILE IN OPERATION.  
**DO NOT** OPERATE WITH PANELS, COVERS OR GUARDS REMOVED FROM THIS APPLIANCE.  
**DO NOT** ENCLOSE THIS APPLIANCE.  
**DO NOT** MODIFY THIS APPLIANCE.

908-602b

**THE GUARD IS FITTED TO THIS APPLIANCE TO REDUCE THE RISK OR FIRE OR INJURY FROM BURNS AND NO PART OF IT SHOULD BE PERMANENTLY REMOVED.**

**FOR PROTECTION OF YOUNG CHILDREN OR THE INFIRM, A SECONDARY GUARD IS REQUIRED.**

(Australia Only)

## IMPORTANT: SAVE THESE INSTRUCTIONS

The P33-NG or P33-LPG Direct Flue Fireplace must be installed in accordance with these instructions. Carefully read all the instructions in this manual first. Consult the "authority having jurisdiction" to determine the need for a permit prior to starting the installation. It is the responsibility of the installer to ensure this fireplace is installed in compliance with manufacturer's instructions and all applicable codes.

### BEFORE YOU START

Safe installation and operation of this appliance requires common sense, however, we are required by the Canadian Safety Standards and ANSI Standards to make you aware of the following:

**INSTALLATION AND REPAIR SHOULD BE DONE BY AN AUTHORIZED SERVICE PERSON. THE APPLIANCE SHOULD BE INSPECTED BEFORE USE AND AT LEAST ANNUALLY BY A PROFESSIONAL SERVICE PERSON. MORE FREQUENT CLEANING MAY BE REQUIRED DUE TO EXCESSIVE LINT FROM CARPETING, BEDDING MATERIAL, ETC. IT IS IMPERATIVE THAT CONTROL COMPARTMENTS, BURNERS AND CIRCULATING AIR PASSAGEWAYS OF THE APPLIANCE BE KEPT CLEAN.**

**DUE TO HIGH TEMPERATURES, THE APPLIANCE SHOULD BE LOCATED OUT OF TRAFFIC AND AWAY FROM FURNITURE AND DRAPERIES.**

**WARNING: FAILURE TO INSTALL THIS APPLIANCE CORRECTLY WILL VOID YOUR WARRANTY AND MAY CAUSE A SERIOUS HOUSE FIRE.**

**CHILDREN AND ADULTS SHOULD BE ALERTED TO THE HAZARDS OF HIGH SURFACE TEMPERATURES, ESPECIALLY THE FIREPLACE GLASS, AND SHOULD STAY AWAY TO AVOID BURNS OR CLOTHING IGNITION.**

**YOUNG CHILDREN SHOULD BE CAREFULLY SUPERVISED WHEN THEY ARE IN THE SAME AREA AS THE APPLIANCE. TODDLERS, YOUNG CHILDREN AND OTHERS MAY BE SUSCEPTIBLE TO ACCIDENTAL CONTACT BURNS. A PHYSICAL BARRIER IS RECOMMENDED IF THERE ARE AT RISK INDIVIDUALS IN THE HOUSE. TO RESTRICT ACCESS TO A FIREPLACE OR STOVE, INSTALL AN ADJUSTABLE SAFETY GATE TO KEEP TODDLERS, YOUNG CHILDREN AND OTHER AT RISK INDIVIDUALS OUT OF THE ROOM AND AWAY FROM HOT SURFACES.**

**CLOTHING OR OTHER FLAMMABLE MATERIAL SHOULD NOT BE PLACED ON OR NEAR THE APPLIANCE.**

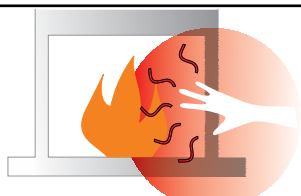
### GENERAL SAFETY INFORMATION

- 1) The appliance shall be installed in accordance with the manufacturer's installation instructions, local gas fitting regulations, municipal building codes, water supply regulations, electrical wiring regulations, with AS5601-2004 (AGA gas installation code) NZS 5261 (New Zealand)
- 2) Installation and repair should be done **ONLY** by an authorised person.
- 3) **THIS APPLIANCE IS NOT INTENDED AS A FIREPLACE INSERT. DO NOT CONNECT TO MASONARY FLUE.**
- 4) This appliance must be connected to the specified flue and termination cap to the outside of the building envelope. Never flue to another room or inside a building. Make sure that the flue is fitted as per Flueing instructions.
- 5) Inspect the flueing system annually for blockage and any signs of deterioration.
- 6) Flueing terminals shall not be recessed into a wall or siding.
- 7) Any safety glass removed for servicing must be replaced prior to operating the appliance.
- 8) To prevent injury, do not allow anyone who is unfamiliar with the operation to use the fireplace.
- 9) Wear gloves and safety glasses for protection while doing required maintenance.

- 10) Be aware of electrical wiring locations in walls and ceilings when cutting holes for termination.
- 11) Under no circumstances should this appliance be modified. Parts that have to be removed for servicing should be replaced prior to operating this appliance.
- 12) Installation and any repairs to this appliance should be done by an authorised service person. An authorised service person should be called to inspect this appliance annually. Make it a practice to have all of your gas appliances checked annually.
- 13) Do not slam shut or strike the glass door.
- 14) Under no circumstances should any solid fuels (wood, paper, cardboard, coal, etc.) be used in this appliance.
- 15) The appliance area must be kept clear and free of combustible materials, (gases and other flammable vapours and liquids).

### MANUFACTURED MOBILE HOME ADDITIONAL REQUIREMENTS

- 1) Ensure that structural members are not cut or weakened during installation.
- 2) Ensure proper grounding using the #8 ground lug provided. See page 35.



## INSTALLATION CHECKLIST

- 1) Locate appliance
  - a) Room location, page 6
  - b) Clearances to Combustibles, page 7
  - c) Mantle Clearances, page 7
  - d) Framing & Finishing Requirements, page 8
  - e) Flueing Requirements, pages 10 to 15.
- 2) Assemble Top Facing Support and Side Nailing Strips, page 9. (NOTE: must be done before installing unit into fireplace.)
- 3) Install flue, pages 10 to 25.
- 4) Make gas and electrical connections. Test the pilot. Must be as per diagram. Page 26. Convert to LPG if desired, page 27.
- 5) Install brick panels (optional), page 33.
- 6) Install logs and embers and rockwool where indicated on page 33.
- 7) Install Flush Door Front (Standard) and optional Flush Gold Trim, page 35.
- 8) Install optional Double Screen Door, page 36.
- 9) Install Louvers
- 10) Final check.

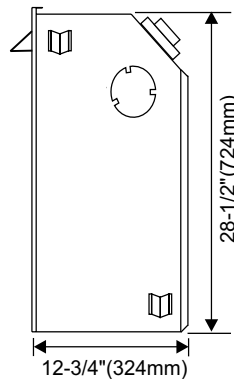
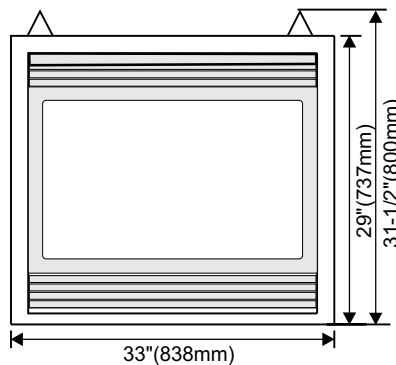
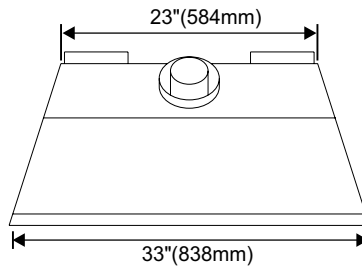
Before leaving this unit with the customer, the installer must ensure that the appliance is firing correctly and **operation fully explained to customer.**

### This includes:

- 1) Locking the appliance to ensure the correct firing rate (rate noted on label) after burning appliance for 15 minutes.
- 2) If required, adjusting the primary air to ensure that the flame does not carbon. First allow the unit to burn for 15-20 min. to stabilize.

**CAUTION: Any alteration to the product that causes sooting or carboning that results in damage is not the responsibility of the manufacturer.**

## LOCATING YOUR GAS STOVE

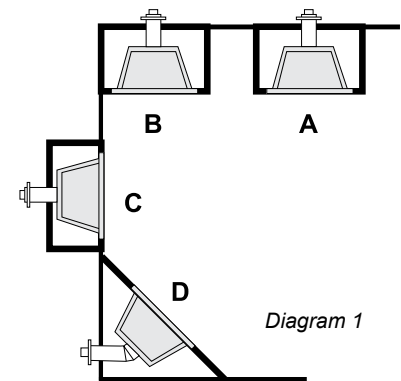


lations when used with a Listed Millivolt Thermostat. Some areas may have further requirements, check local codes before installation.

- 6) The PG33 Direct Flue Gas Fireplace is approved for alcove installations, which meet the clearances listed on this page.
- 7) We recommend that you plan your installation on paper using exact measurements before actually installing this appliance. Have a qualified inspector, dealer, or installer review your plans before installation.

Note: For flue terminations see page 10.

- A) Flat on Wall
- B) Flat on Wall Corner
- C) Recessed into Wall/Alcove
- D) Corner



- 1) When selecting a location for your stove, ensure that the clearances outlined on this page are met.
- 2) Provide adequate clearances for servicing.
- 3) The appliance must be installed on a flat, solid, continuous surface (e.g. wood, metal, concrete). This may be the floor, or raised up on a platform to enhance its visual impact. If the appliance is going to be installed on carpeting, combustible linoleum tile or other combustible material other than wood flooring, the appliance must be installed on a metal or wood panel extending the full width and depth of the appliance.
- 4) The PG33 can be installed in a recessed position or framed out into the room as in A, B, C, D. See Diagram 1.
- 5) This appliance is Listed for bedroom instal-

## CLEARANCES

A major cause of chimney related fires is failure to maintain required clearances (air space) to combustible materials. It is of the greatest importance that this fireplace and flue system be installed only in accordance with these instructions.

### Clearance to Combustibles from:

<b>Back</b>	0"	(0mm)
<b>Side</b>	0"	(0mm)
<b>Floor</b>	0"	(0mm)

NOTE: The minimum floor clearance must be maintained from the top surface of the carpeting, tile, etc.

### Minimum Clearance from Top of Unit to:

<b>Mantel*</b>	min. 7"	(177mm)
<b>Ceiling</b>	30"	(762mm)

from top of unit.

### Side Wall Clearance

**Bay or Flush Front** 7-1/2" (191mm)

### Minimum Flue Clearances:

	2-1/2"	(64mm)	Horizontal Top
	1-1/2"	(38mm)	Horizontal Side
	1-1/2"	(38mm)	Horizontal Bottom
(Simpson)	1-1/4"	(32mm)	Vertical Flue Clearance
(Flex)	1-1/2"	(38mm)	Vertical Flue Clearance

### Alcove Clearances:

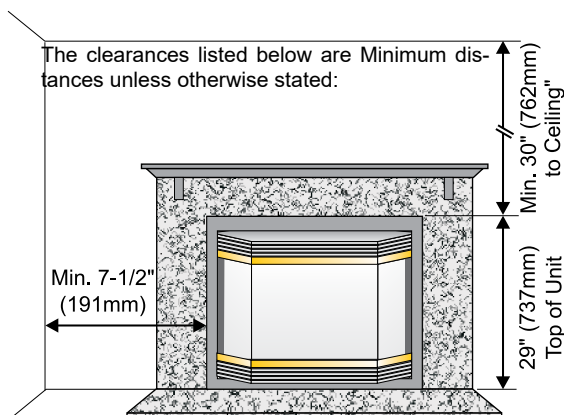
<b>Max. Depth</b>	36"	(914mm)
<b>Min. Width</b>	48"	(1219mm)
<b>Min. Height</b>	59"	(1499mm)

\* see mantel clearance instructions.

### WARNING

**Fire hazard is an extreme risk if these clearances are not adhered to.**

## UNIT DIMENSIONS



Clearances for Bay or Flush Front

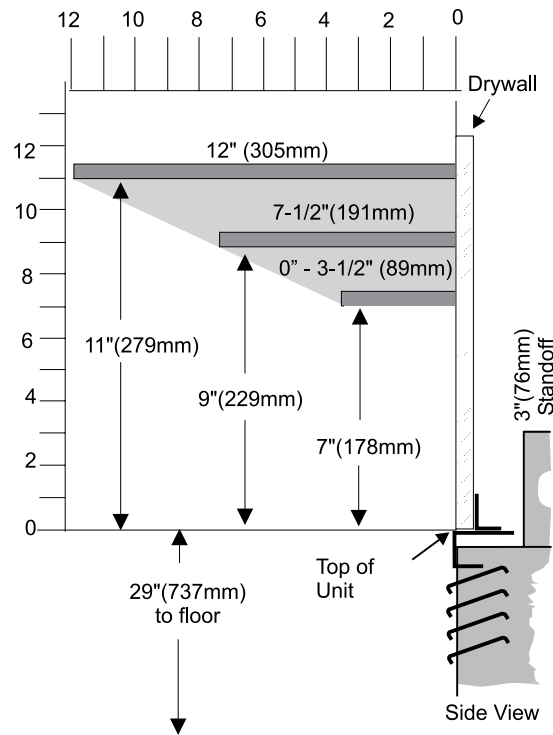
## COMBUSTIBLE MANTELS

Because of the extreme heat this fireplace emits, the mantel clearances are critical. Combustible mantel clearances from top of unit are shown in the diagram below.

**Note:** A non-combustible mantel may be installed at a lower height if the framing is made of metal studs covered with a non-combustible board.

This drawing is to scale at 1:6 (one inch = 6 inches). Mantel can be installed anywhere in shaded

### Mantel Clearances with Flush or Bay Glass

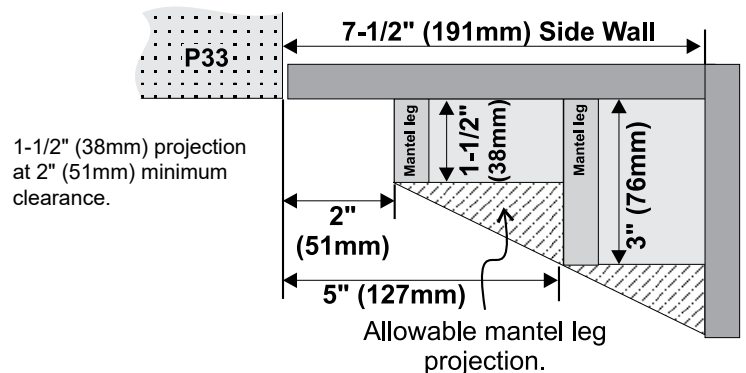


## MANTEL LEG CLEARANCES

Combustible mantel leg clearances as per diagram below:

Maximum area or higher using the above scale.

**Note:** Ensure the paint that is used on the mantel and the facing is "heat resistant" or the paint may discolour.

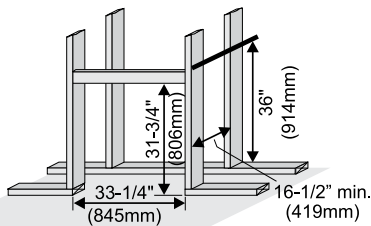




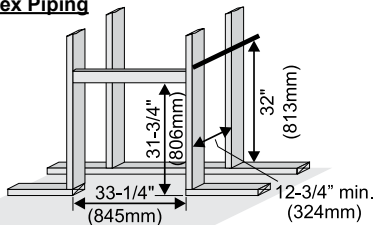
## FRAMING AND FINISHING

### Rear Termination

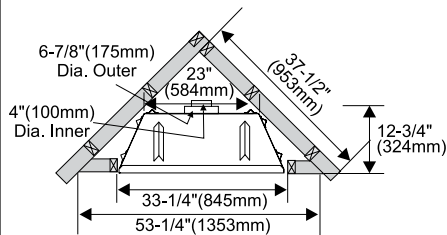
#### Simpson Dura-Flue Piping



#### Flex Piping



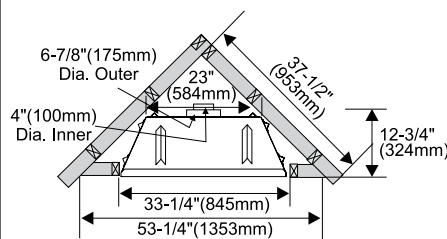
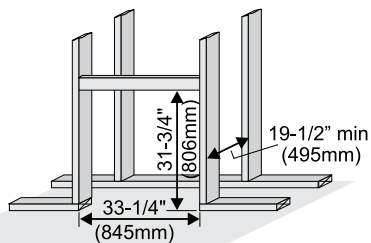
#### For Both Simpson & Flex



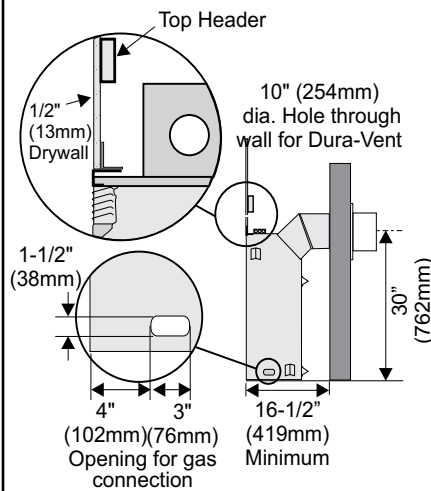
**NOTE:** If this is an outside corner, the minimum distance between the flue and the outside corner is 6" (15cm) with AstroCap termination cap or 12" (30cm) with Dura-Flue termination cap.

### Vertical Termination or Vertical Rise with Horizontal Termination

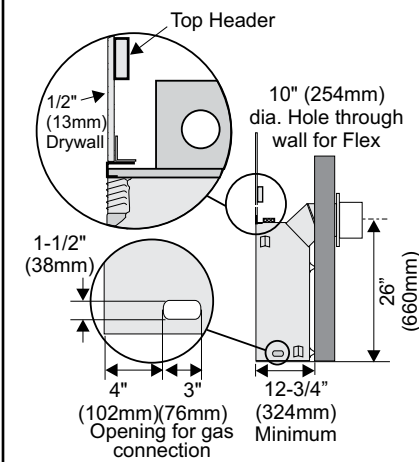
#### For Both Simpson & Flex



### Simpson Dura-Flue Minimum Clearances



### Flex Pipe Minimum Clearances



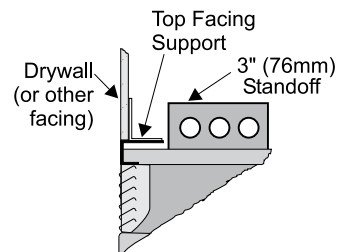
- 1) Determine the total thickness of facing material (e.g. drywall plus ceramic tiles) to allow the finished surface to be flush with the front of the unit. Total facing thickness can vary from 1/2" (13mm) to 1-1/4" (32mm) thick.

**Install Side Nailing Strips, and Top Facing Support before unit is slipped into position. See page 9 for assembly details.**

- 2) Frame in the enclosure for the unit with framing material.
- 3) For exterior walls, insulate the enclosure to the same degree as the rest of the house, apply vapour barrier and drywall, as per local installation codes. **(Do not insulate the fireplace itself.)**
- 4) The top of the unit must not be closer than 30" (762mm) to the ceiling.
- 5) Combustible material may be brought up to the top and sides of the unit and be covered with ceramic tiles, bricks, rock or other suitable combustible finishing materials.

**Note:** The unit does not have to be completely enclosed in a chase. The clearance on top of the unit is 0" to the standoffs so combustible building materials can be laid directly on top of the standoffs. You must maintain clearance from the flue to combustible materials for flex for Simpson Dura-Flue, see page 7.

- 6) Use steel studs for framing where the 1-1/2" (38mm) clearance from the flue to combustible material cannot be maintained.



**NOTE:** If this is an outside corner, the minimum distance between the flue and the outside corner is 6" (15cm) with AstroCap termination cap or 12" (30cm) with Dura-Flue termination cap.



## UNIT ASSEMBLY PRIOR TO INSTALLATION

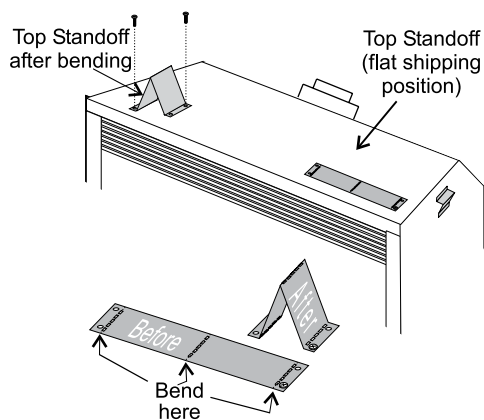
The Top Facing Support, the Side Nailing Strips and the 2 Top Standoffs must be correctly positioned and attached to the top before the unit is put into position.

### Top Standoff Assembly

The top standoffs are shipped in a flat position and must be pulled up and bent into the correct shape.

- 1) Remove the standoffs from on top of the firebox by undoing the screws.
- 2) Take each standoff and bend into the correct shape. Bend up at the bend lines until the screw holes in the standoff and the pre-punched screw holes on the firebox top line-up.
- 3) Attach the standoffs securely to the top with 4 screws per standoff.

**Note:** Secure the standoffs to the holes closest to the edge of the firebox top.

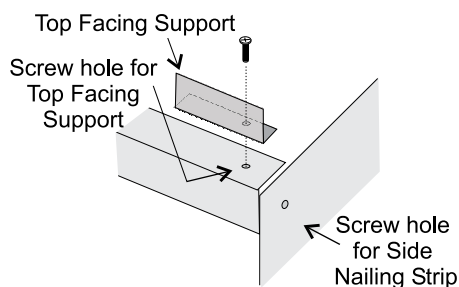
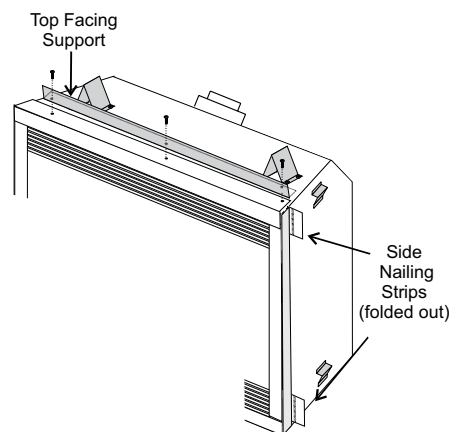


### Top Facing Support & Side Nailing Strips

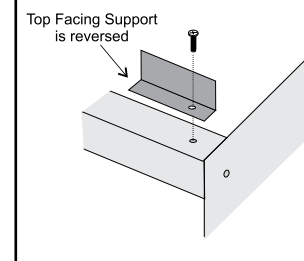
Determine the total thickness of facing material (e.g. drywall plus ceramic tiles) to allow the finished surface to be flush with the front of the unit. Total facing thickness can vary from 1/2" (13mm) to 1-1/4" (32mm) thick.

The Top Facing Support & Side Nailing Strips can be mounted in various positions depending on the thickness of the facing material.

- 1) Mount Top Facing Support using the 3 supplied screws into the three pre-punched screw holes on the top front of the unit. Adjust support to desired facing material depth.
- 2) Mount Side Nailing Strip using the 3 supplied screws into the three pre-punched screw holes at the front sides of the unit. Adjust support to desired facing material thickness.



For a facing material depth of 1-1/4" (32mm), the top facing support must be reversed.



## FLUEING INTRODUCTION

The PG33 uses the "balanced flue" technology Co Axial system. The inner liner flues products of combustion to the outside while the outer liner draws outside combustion air into the combustion chamber thereby eliminating the need to use heated room air for combustion and losing warm room air up the chimney.

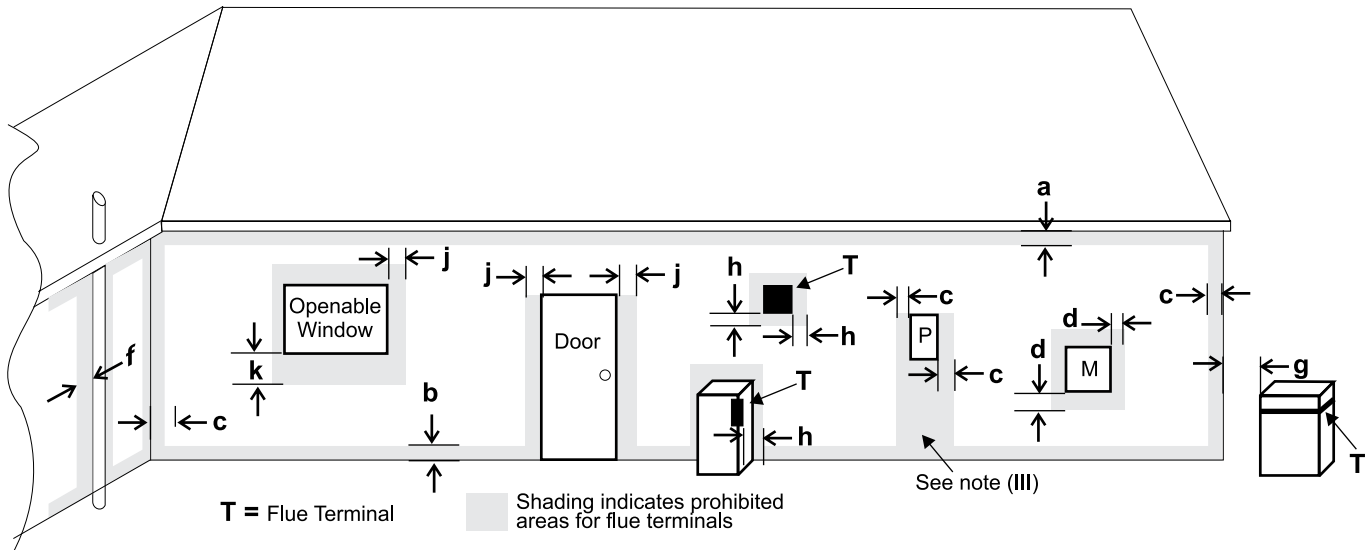
There are 2 flue systems approved for use with the PG33: the Regency Direct Flue System (Flex) for Horizontal Terminations only (see pages 11-12), and the Simpson Dura-Flue Systems for Horizontal and Vertical Terminations (see pages 13-25).

**Note:** These flue pipes must not be connected to any other appliance.

The gas appliance and flue system must be flueed directly to the outside of the building, and never be attached to a chimney serving a separate solid fuel or gas burning appliance. Each direct flue gas appliance must use its own separate flue system. Common flue systems are prohibited.

NOTE: Ensure compliance with the outside flue terminal location before cutting hole as both dimensions must be met.

## EXTERIOR FLUE TERMINATION LOCATIONS



**Minimum clearances required for balanced flue terminals or the flue terminals of outdoor appliances according to AS5601-2004 (AGA gas installation code) or NZS 5261 (New Zealand)**

Clearance (mm)	Minimum
a Below eaves, balconies or other projections:	
- Appliances up to 50 MJ/h input	300
- Appliances over 50 MJ/h input	500
b From the ground or above a balcony	300
c From a return wall or external corner	500
d From a gas meter (M)	1000
e From an electricity meter or fuse box (P)	500
f From a drain or soil pipe	150
g Horizontal from any building structure (unless appliance is approved for closer installation) or obstruction facing a terminal	500
h From any other flue terminal, cowl or combustion air intake	500
j Horizontally from an openable window, door, or non-mechanical air inlet, or any other opening into a building, with the exception of sub-floor ventilation (see also Note (I)):	
- Appliances up to 150 MJ/h input	500
- Appliances over 150 MJ/h input	1500
k Vertically below an openable window, door, or non-mechanical air inlet, or any other opening into a building, with the exception of sub-floor ventilation (see also Note (I)): see table below	

Clearance 'k' in mm			
Space Heaters		All Other Appliances	
Up to 50 MJ/h input	Up to 50 MJ/h input	Over 50 MJ/h input to 150 MJ/h input	Over 150 MJ/h input
150	500	1000	1500

**NOTES:**

- (I) For mechanical air inlets, including spa blowers, the clearance 'j' and 'k' shall be 1500 mm in all cases.
- (II) All distances shall be measured vertically or horizontally along the wall to a point in line with the nearest part of the terminal.
- (III) Prohibited area below electricity meter or fuse box extends to ground level.
- (IV) A flue terminal of this type shall not be located under a roofed area unless the roofed area is fully open on at least two sides and a free flow of air at the appliance is achieved.

## REGENCY DIRECT FLUE SYSTEM (FLEX) HORIZONTAL TERMINATIONS ONLY

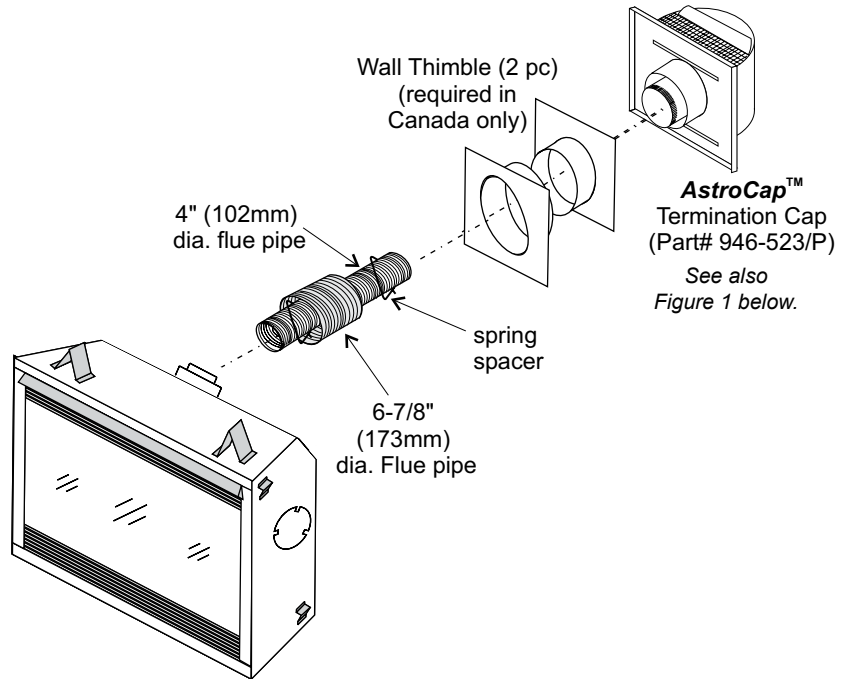
This flueing system, in combination with the PG33 Direct Flue Gas Fireplace, have been tested and listed as a direct flue heater system by AGA. The location of the termination cap must conform to the requirements in the Flue Terminal Locations diagram on page 10.

**Regency Direct Flue (Flex) System Termination Kit (Part # 946-513) includes all the parts needed to install the PG33 with a maximum run of 2 feet.** If installing the P33 with a continuous flue length of more than 2 ft (.6m) to a maximum of 10 ft. (3.0m) using Kit # 946-515 (4 ft) or 946-516 (10 ft) or see page 13 for alternate flueing arrangements.

- 1) 6-7/8" dia. flexible liner (2 ft. length)
- 2) 4" dia. flexible liner (2 ft. length)
- 3) spring spacers (3)
- 4) thimble (2)
- 5) **AstroCap** termination cap (1)
- 6) screws (12)
- 7) tube of Mill Pac (1)
- 8) plated screws (8)
- 9) screws #8 x 1-1/2" drill point, stainless steel (4)

**Notes:**

- 1) **Liner sections should be continuous without any joints or seams.**
- 2) **Only Flex pipe purchased from Regency may be used for Flex installations.**



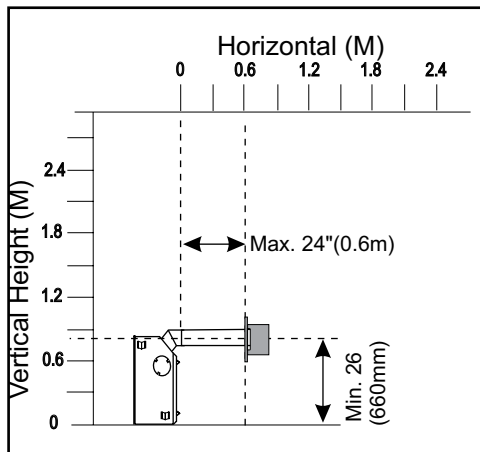
**IMPORTANT**

If using any Cabinet Mantels with Part # 510956, 510958, 510962, 510964 and 510834 the wall thimble must be secured first and flueing must be attached to unit before sliding into final position.

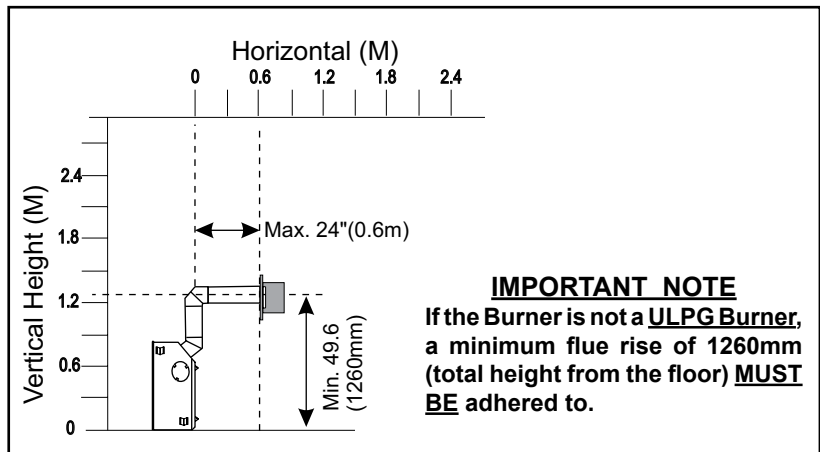
Also Simpson Dura-Flue flueing cannot be used with any of the mantels noted above.

*Wherever necessary due to external location of cap, the AstroCap can be replaced with the FPI Riser Flue Termination Cap or the Dura-Vent Snorkel Termination Cap.*

**Minimum Flex Kit Center-Line (NG & LPG)**



**Minimum Flex Kit Center-Line (ULPG)**



## INSTALLATION PROCEDURES for Regency Direct Flue System (Flex)

- 1) Locate the unit in the framing, rough in the gas (preferably on the right side of the unit) and the electrical (Junction block is on the left side) on the left. Locate the centerline of the termination and mark wall accordingly. Cut a 10"(254mm) hole in the wall (inside dimension).

\*If this is an outside corner, the minimum distance between the flue and the outside corner is 6" (15cm) with **AstroCap** termination cap or 12" (30cm) with Dura-Flue termination cap. See "F" on the diagram on page 10.

**Note:** To make the installation more aesthetically pleasing, we recommend framing out a square to mount the terminal to.

**Note:** A 2-1/2" (64mm) horizontal top and 1-1/2" (38mm) horizontal sides & bottom clearance around the liner



must be maintained except that only a 1" (25mm) clearance is needed at the termination end. We recommend framing a 10"(254mm) x 10"(254mm) (inside dimensions) hole to give structural rigidity for mounting the termination.

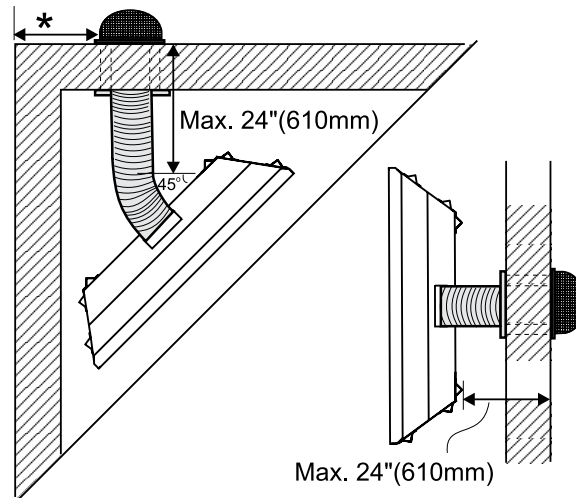
**Note:** If installing termination on a siding covered wall, furring strips must be used to ensure that the termination is not recessed into the siding.

2) Level the fireplace and fasten it to the framing using nails or screws through the nailing strips.

3) Assemble the flue assembly by applying Mill Pac to the 4"(100mm) inner collar of the termination and slipping the 4"(100mm) liner over it at least 1-3/8" (35mm). Fasten with the 3 screws (drilling pilot holes will make this easier). Apply Mill Pac or high temperature silicone to the 6-7/8"(175mm) flex pipe and slip it over the 6-7/8" outer collar of the flue terminal at least 1-3/8"(35mm) and fasten with the 3 screws.

4) Separate the 2 halves of the wall thimble and securely fasten the one with the tabs to the outside wall making sure that the tabs are on top and bottom. Fasten the other thimble half to the inside wall. The thimble halves slip inside each other and can be adjusted for 2 x 4 or 2 x 6 walls. **The liners must slip over the collars a minimum of 1-3/8".**

5) Slip the assembled liner and termination assembly through the thimble making sure the termination cap faces up (there are markings on the cap that show which way

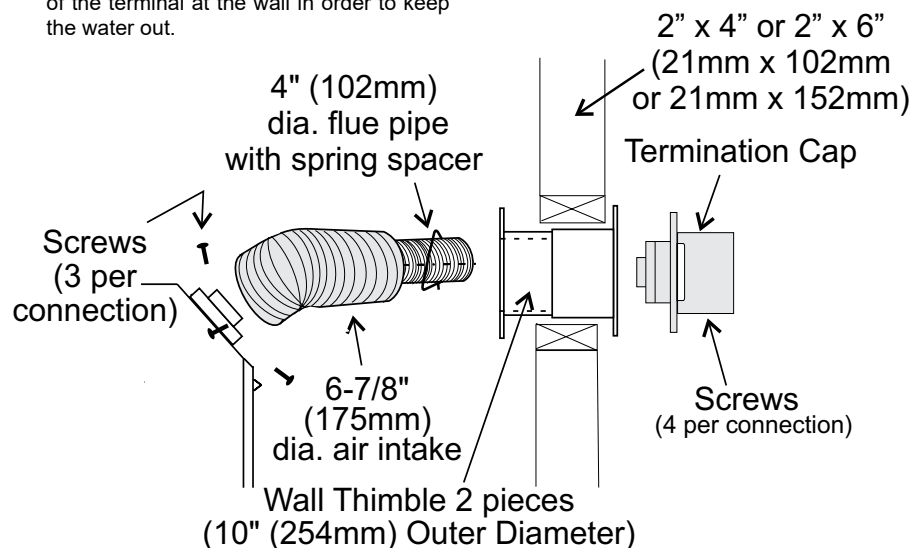


Minimum and Maximum Flue Clearances

is up). This will position the termination cap with proper down slope for draining water. Fasten the cap to the outer wall with the 4 supplied screws.

**IMPORTANT:** Do not locate termination hood where excessive snow or ice buildup may occur. Be sure to check flue termination area after snow falls, and clear to prevent accidental blockage of flueing system. When using snow blowers, make sure snow is not directed towards flue termination area.

- 6) Pull the centre 4"(100mm) liner and outer 6-7/8"(175mm) liner out enough to slip over the flue collars of the fireplace.
- 7) Apply Mill Pac over the fireplace inner collar and slip the 4"(100mm) liner down over it and attach with 3 supplied screws.
- 8) Do the same with the 6-7/8"(175mm) liner.
- 9) Apply a bead of silicone between the thimble and termination and around the outer edge of the terminal at the wall in order to keep the water out.



## SIMPSON DURA-FLUE FLUEING

### Horizontal or Vertical Terminations

The Simpson Dura-Flue Direct Flue System offers a complete line of component parts for installation of both horizontal and vertical installations. Many items are offered in decorative black, as well as galvanized finish. We recommend using the galvanized finish for installation with the PG33.

The minimum components required for a basic horizontal termination are:

- 1 **AstroCap** Horizontal Termination Cap
- 1 45° Elbow
- 1 Flue Adaptor
- 1 Wall Thimble
- 1 Length of pipe to suit wall thickness (see chart)

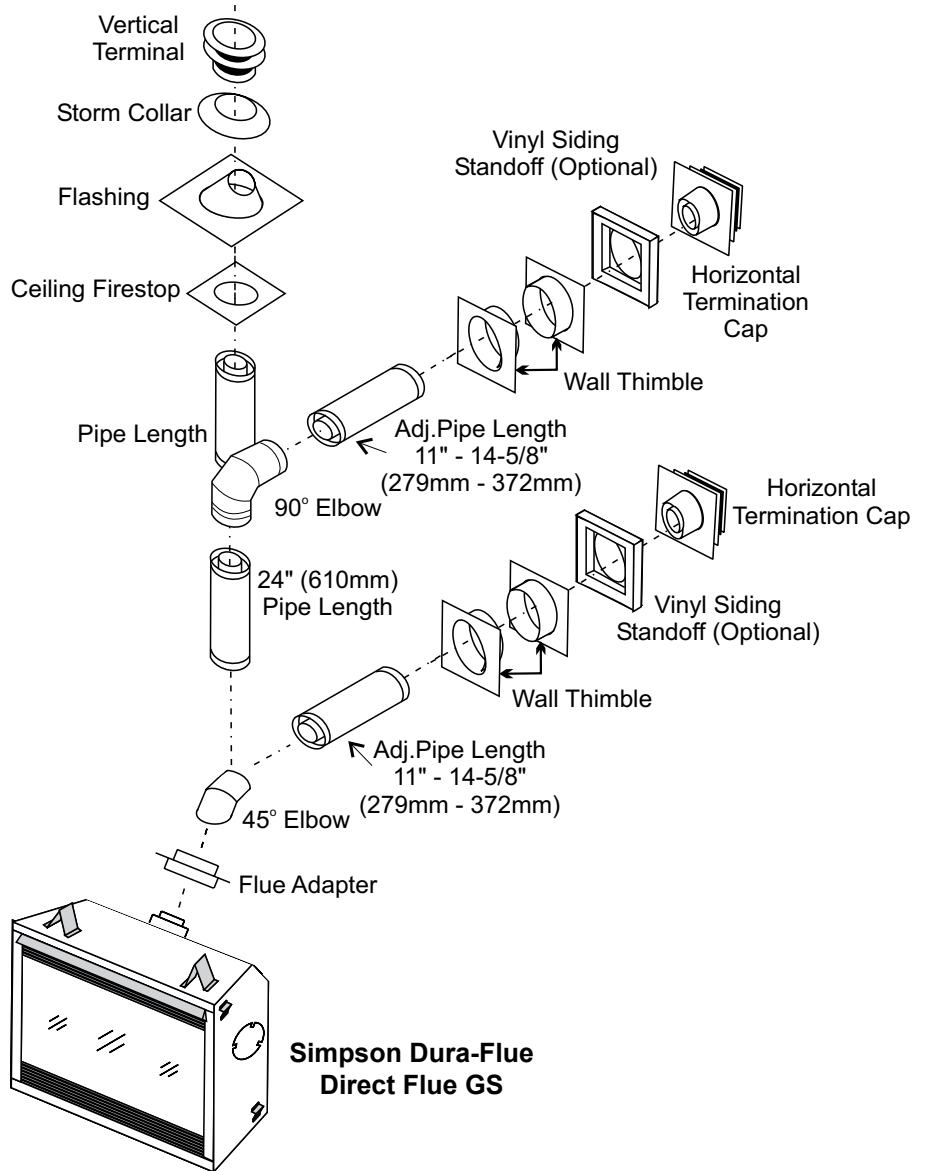
For siding other than vinyl furring strips may be used, instead of the vinyl siding standoff, to create a level surface to mount the flue terminal. The Terminal must not be recessed into siding.

If a Vinyl Siding Standoff is required (it must be used with vinyl siding), measure to outside surface of wall without siding and add 2 inches.

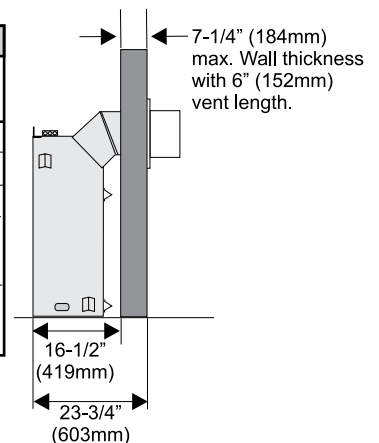
The Regency AstroCap™ is certified for installations using FPI flueing systems as well as Simpson Dura-Vent® and Direct Vent GS.

Regency™, and Regency AstroCap™ are the proprietary trademarks of FPI Fireplace Products International Ltd.

Dura-Vent® and Direct Vent GS are registered and/or proprietary trademarks of Simpson Dura-Vent Co. Inc.



Flat Wall Installation	
Max. Wall Thickness	Flue Length Required
7-1/4" (184mm)	6" (152mm)
10-1/4" (260mm)	9" (229mm)
13-1/4" (337mm)	12" (305mm)
12-1/4" - 15-7/8" (311mm - 641mm)	11" - 14-5/8" Adj. Pipe (279mm - 371mm)
18-1/4" - 25-1/4" (464mm - 381mm)	11" - 14-5/8" Adj. Pipe (279mm - 371mm)



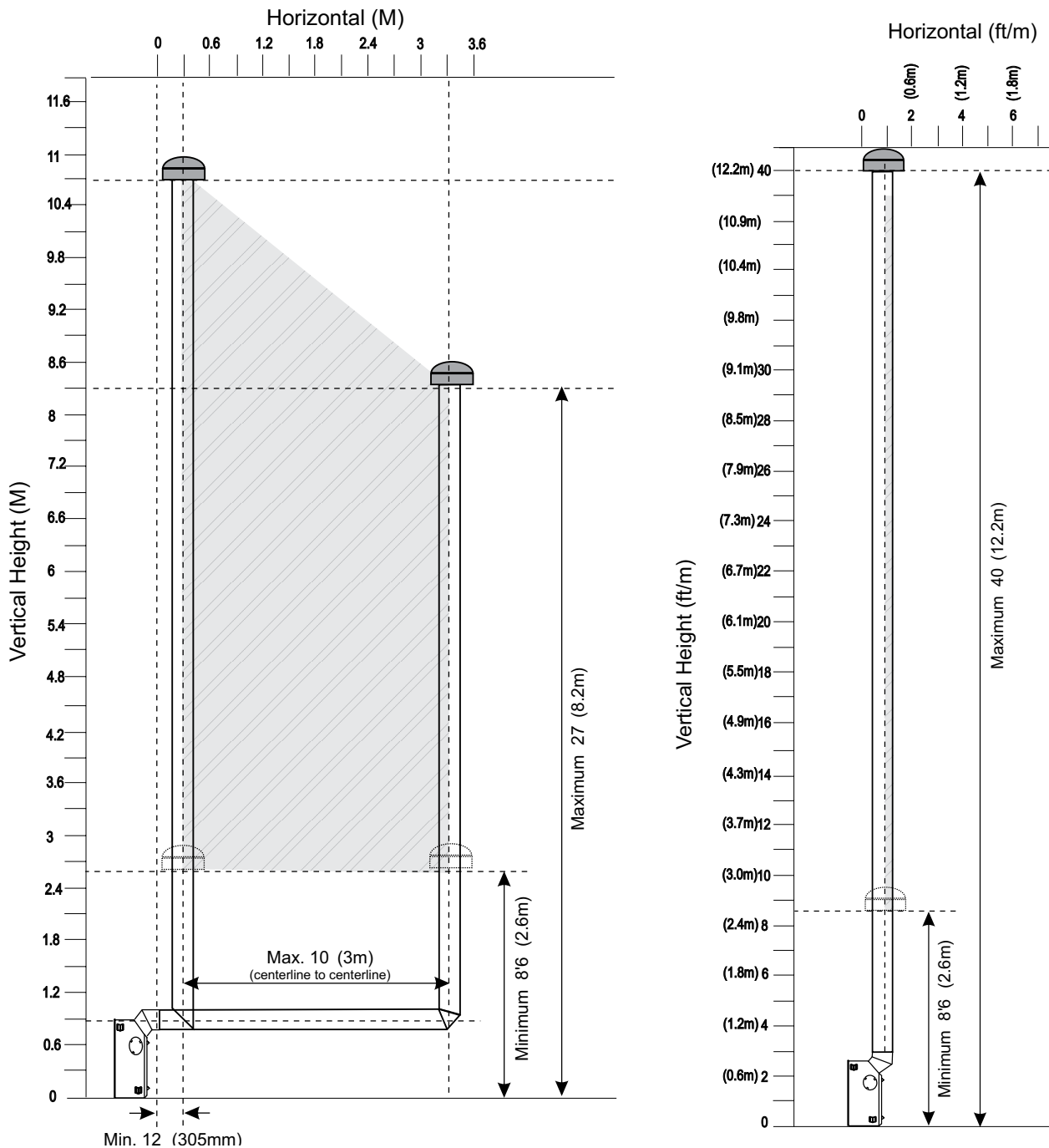
**Wherever necessary due to external location of cap, the AstroCap can be replaced with the FPI Riser Vent Termination Cap or the Dura-Vent Snorkel Termination Cap.**

## FLUEING ARRANGEMENTS - VERTICAL TERMINATIONS

### SIMPSON DURA-FLUE DIRECT FLUE GS SYSTEM

#### (NG, LPG & ULPG)

The shaded area in the diagram shows all allowable combinations of straight vertical and offset to vertical terminations, using one 90° elbow, with Simpson Dura-Flue Direct Flue GS flue systems for NG, LPG and ULPG.



- Flue must be supported at offsets.
- Firestops are required at each floor level and whenever passing through a wall.
- Maintain clearances to combustibles.

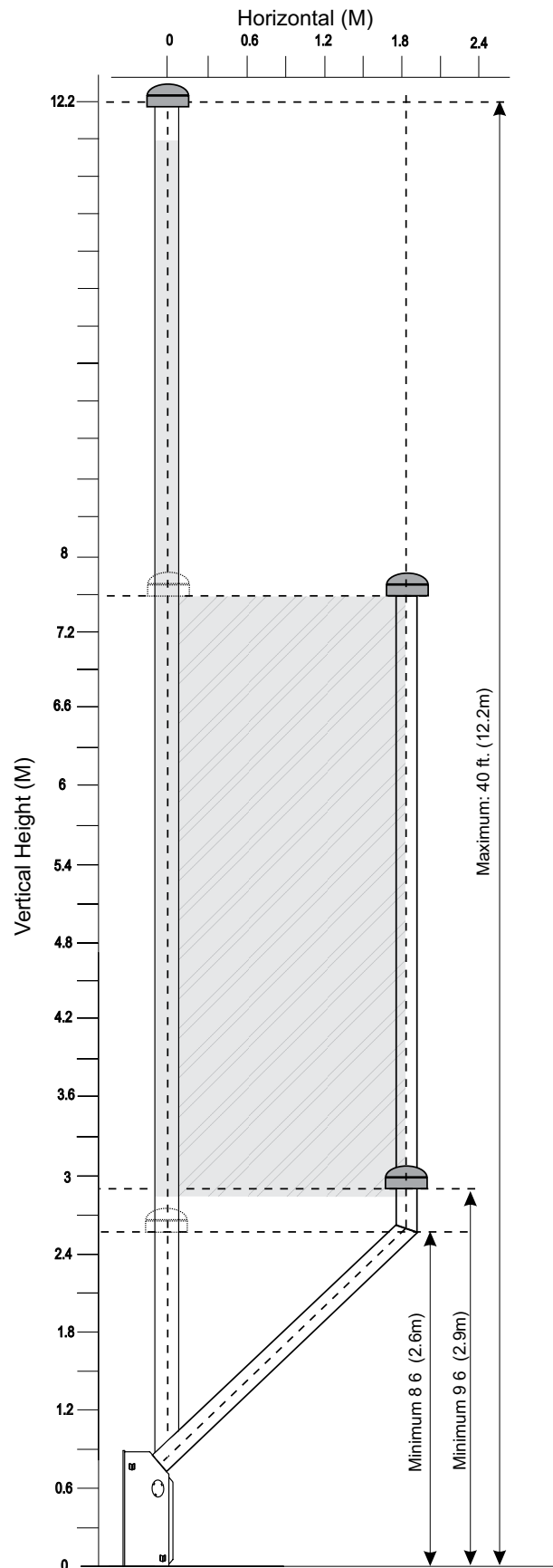
**Note:** Must use optional flue adapter when using Simpson Dura-Vent pipe (Part # 510-994).



The PG33 is approved for a maximum 40 ft. straight vertical, with **Simpson Dura-Flue Direct Flue GS** flue systems for LPG, ULPG and NG.

The shaded area in the diagram shows all allowable combinations of straight vertical and offset to vertical terminations with **Simpson Dura-Flue Direct Flue GS** flue systems for LPG, ULPG and NG. Maximum two 45° elbows allowed.

- **Flue must be supported at offsets.**
- **Firestops are required at each floor level and whenever passing through a wall.**
- **Maintain clearances to combustibles.**

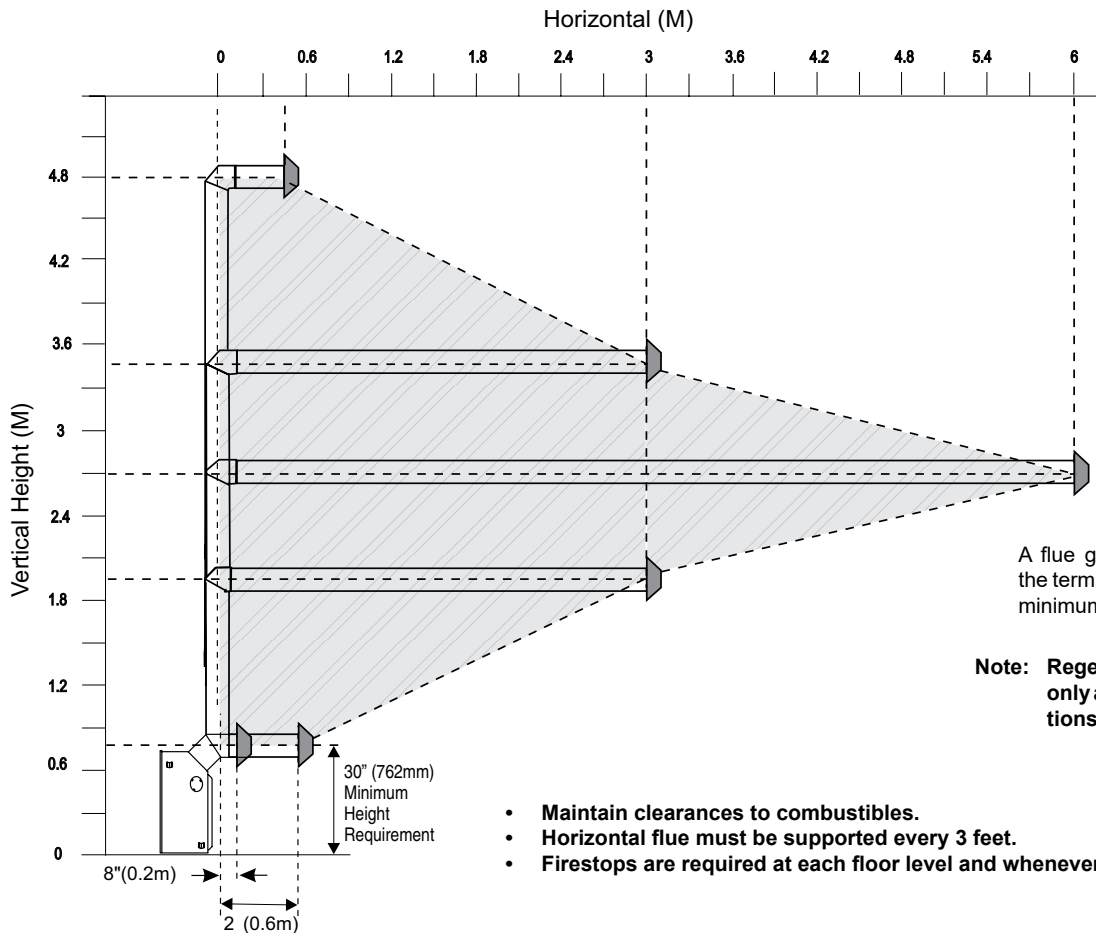


## FLUEING ARRANGEMENTS - HORIZONTAL TERMINATIONS

### SIMPSON DURA-FLUE DIRECT FLUE GS SYSTEM and REGENCY DIRECT FLUE SYSTEM (FLEX) (NG, LPG & ULPG with ULPG Burner)

This diagram shows all allowable combinations of vertical runs with horizontal terminations, using one 45° and one 90° elbow (two 45° elbows equal one 90° elbow).

**Note:** Must use optional flue adapter (Part # 510-994) when using Simpson Dura-Vent pipe. (Refer to page 13.)

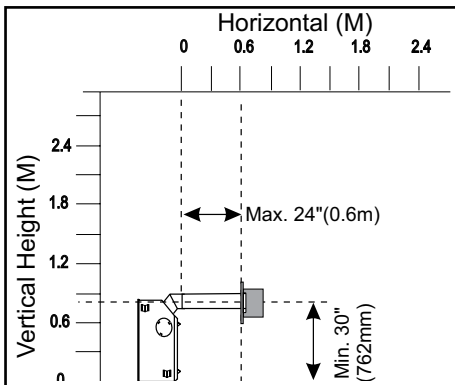


**Note:** Regency Direct Flue System (Flex) is only approved for horizontal terminations.

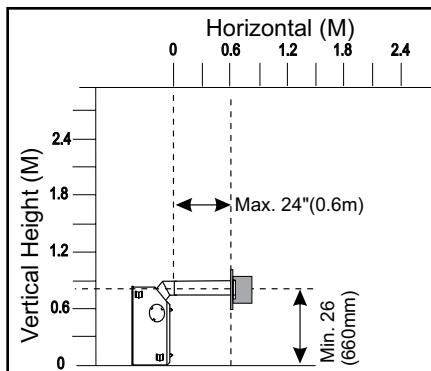
- Maintain clearances to combustibles.
- Horizontal flue must be supported every 3 feet.
- Firestops are required at each floor level and whenever passing through a wall.

**Minimum**

**Simpson Dura-Flue Center-Line**



**Minimum Flex Kit Center-Line**



**Important**

If using any Cabinet Mantels with Part # 510956, 510958, 510962, 510964 and 510834 the wall thimble must be secured first and flueing must be attached to unit before sliding into final position.

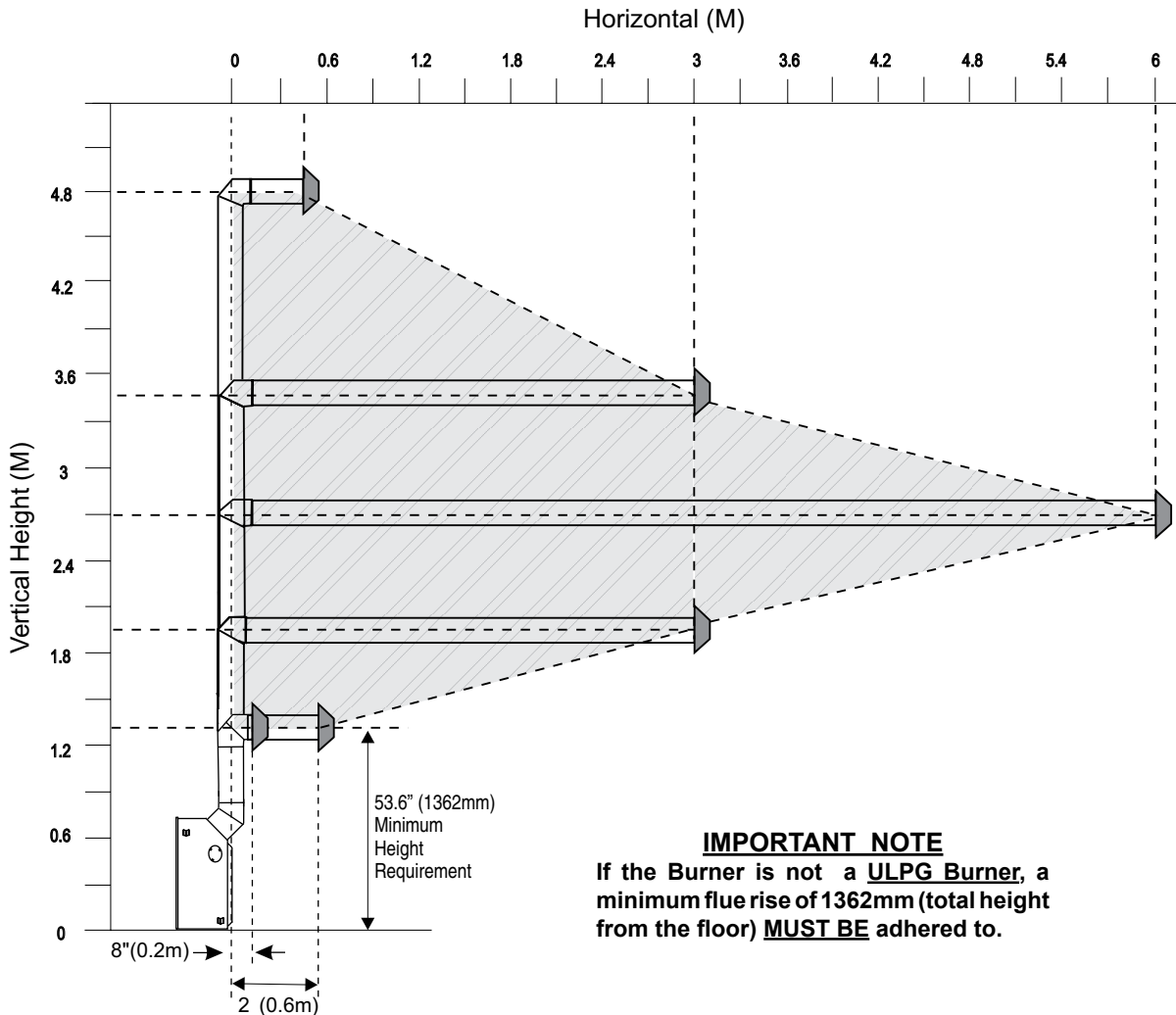
Also Simpson Dura-Flue flueing cannot be used with any of the mantels noted above.

## FLUEING ARRANGEMENTS - HORIZONTAL TERMINATIONS

### SIMPSON DURA-FLUE DIRECT FLUE GS SYSTEM and REGENCY DIRECT FLUE SYSTEM (FLEX) (ULPG with NG/LPG Burner)

This diagram shows all allowable combinations of vertical runs with horizontal terminations, using one 45° and one 90° elbow (two 45° elbows equal one 90° elbow).

**Note:** Must use optional flue adapter (Part # 510-994) when using Simpson Dura-Vent pipe. (Refer to page 13.)



A flue guard should be used whenever the termination is lower than the specified minimum or as per local codes.

**Note:** Regency Direct Flue System (Flex) is only approved for horizontal terminations.

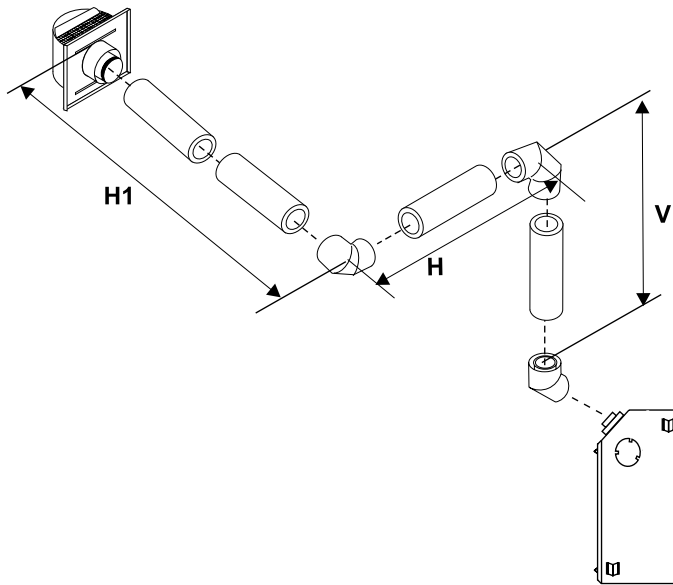
- Maintain clearances to combustibles.
- Horizontal flue must be supported every 3 feet.
- Firestops are required at each floor level and whenever passing through a wall.

# installation

## Horizontal Flueing with Two (2) 90° Elbows

One 90° elbow = Two 45° elbows.

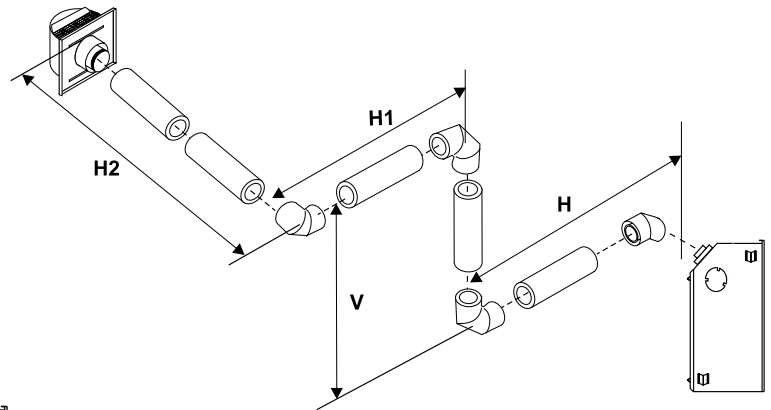
Option	V	H + H1	With these options, maximum total pipe length is 30 feet with minimum of 6 feet total vertical and maximum 8 feet total horizontal. <b>Please note minimum 1 foot between 90° elbows is required.</b>
A)	0.3m Min.	0.9m Max.	
B)	0.6m Min.	1.2m Max.	
C)	0.9m Min.	1.5m Max.	
D)	1.2m Min.	1.8m Max.	
E)	1.5m Min.	2.1m Max.	
F)	1.8m Min.	2.4m Max.	



## Horizontal Flueing with Three (3) 90° Elbows

One 90° elbow = Two 45° elbows.

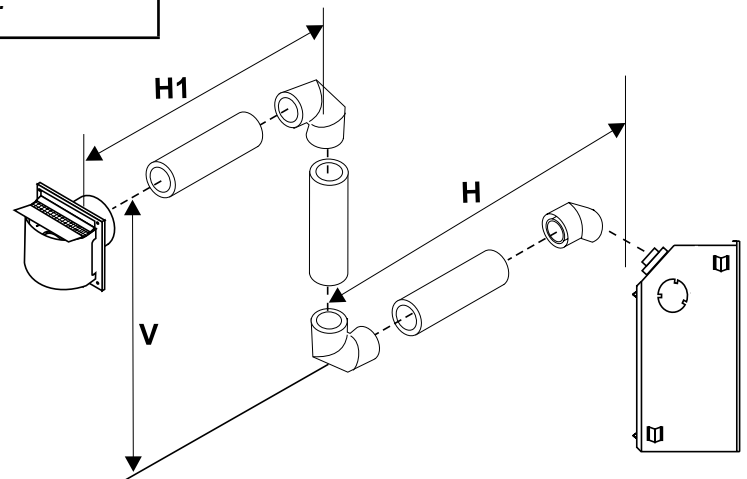
Option	H	V	H + H1 + H2	With these options, max. total pipe length is 30 feet with min. of 11 feet total vertical and max. 9 feet total horizontal. <b>Please note min. 1 foot between 90° elbows is required.</b>
A)	0.3m Max.	0.3m Min.	0.9m Max.	
B)	0.6m Max.	0.9m Min.	1.5m Max.	
C)	0.9m Max.	1.5m Min.	1.8m Max.	
D)	1.2m Max.	2.1m Min.	2.1m Max.	
E)	1.5m Max.	2.7m Min.	2.7m Max.	
F)	1.8m Max.	3.3m Min.	2.7m Max.	



## Horizontal Flueing with Two (2) 90° Elbows

One 90° elbow = Two 45° elbows.

Option	H	V	H + H1 + H2	With these options, max. total pipe length is 30 feet with min. of 8 feet total vertical and max. 8 feet total horizontal. <b>Please note min. 1 foot between 90° elbows is required.</b>
A)	0.3m Max.	0.3m Min.	0.9m Max.	
B)	0.6m Max.	0.9m Min.	1.5m Max.	
C)	0.9m Max.	1.5m Min.	1.8m Max.	
D)	1.2m Max.	1.8m Min.	2.1m Max.	
E)	1.5m Max.	2.4m Min.	2.4m Max.	

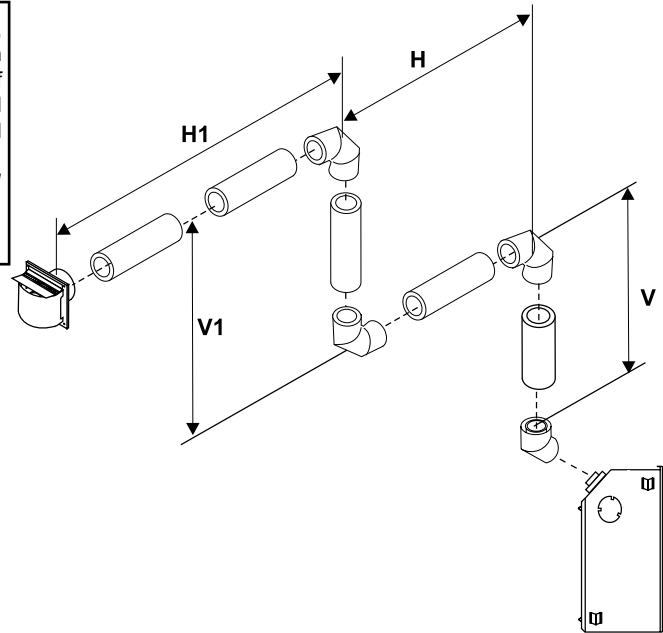


**Horizontal Flueing with Three (3) 90° Elbows**

*One 90° elbow = Two 45° elbows.*

Option	V Min.	H Max.	V + V1 Min.	H + H1 Max.
A)	0.6m	0.3m	0.9m	1.2m
B)	0.9m	0.6m	1.2m	1.5m
C)	1.2m	0.9m	1.8m	1.8m
D)	1.5m	1.2m	2.4m	2.1m
E)	1.8m	1.5m	3m	2.4m
F)	2.1m	1.8m	3.65m	2.7m

With these options, max. total pipe length is 30 feet with min. of 12 feet total vertical and max. 9 feet total horizontal.  
**Please note min. 1 foot between 90° elbows is required.**

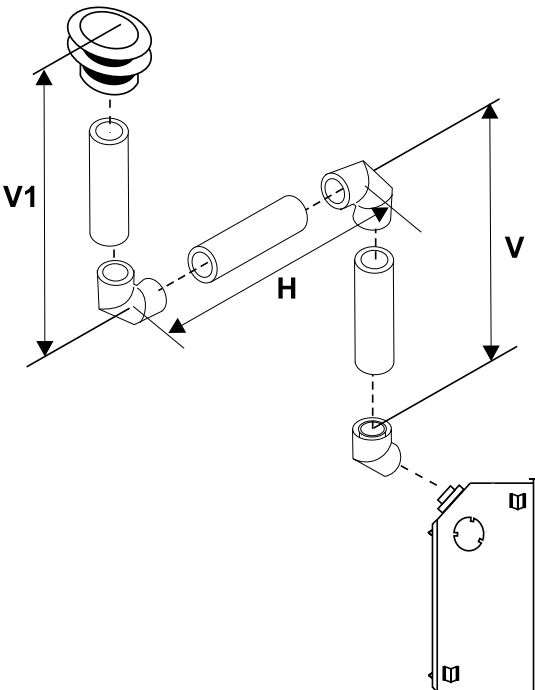


**Vertical Flueing with Two (2) 90° Elbows**

*One 90° elbow = Two 45° elbows.*

Option	V Min.	H Max.	V + V1 Min.
A)	0.3m	1.2m	0.6m
B)	0.6m	1.5m	0.9m
C)	0.9m	1.8m	1.2m
D)	1.2m	2.1m	1.5m
E)	1.5m	2.4m	1.8m

With these options, max. total pipe length is 30 feet with min. of 6 feet total vertical and max. 8 feet total horizontal.  
**Please note min. 1 foot between 90° elbows is required.**

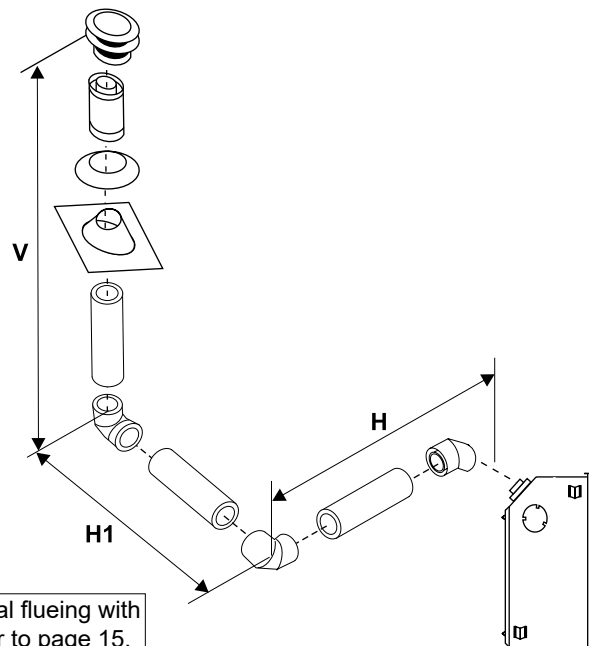


**Vertical Flueing with Two (2) 90° Elbows**

*One 90° elbow = Two 45° elbows.*

Option	H + H1 Max.	V Min.
A)	0.6m	0.6m
B)	0.9m	0.9m
C)	1.2m	1.2m
D)	1.5m	1.5m
E)	1.8m	1.8m

With these options, max. total pipe length is 30 feet with min. of 6 feet total vertical and max. 6 feet total horizontal.  
**Please note min. 1 foot between 90° elbows is required.**



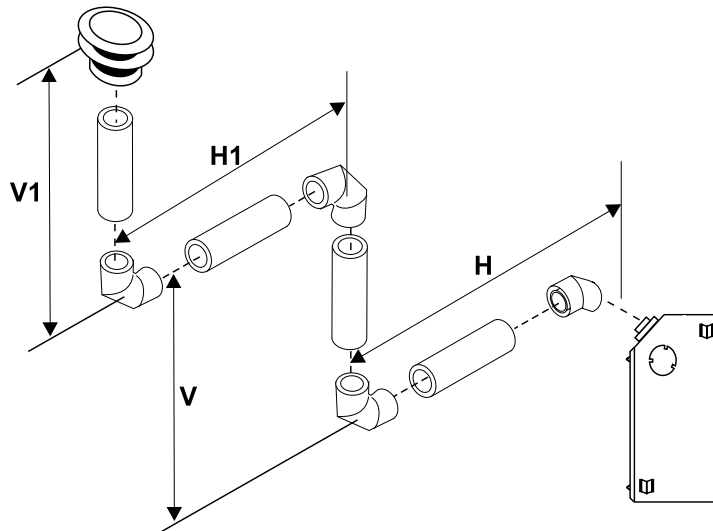
For additional vertical flueing with 2 x 90° elbows, refer to page 15.

## Vertical Flueing with Three (3) 90° Elbows

One 90° elbow = Two 45° elbows.

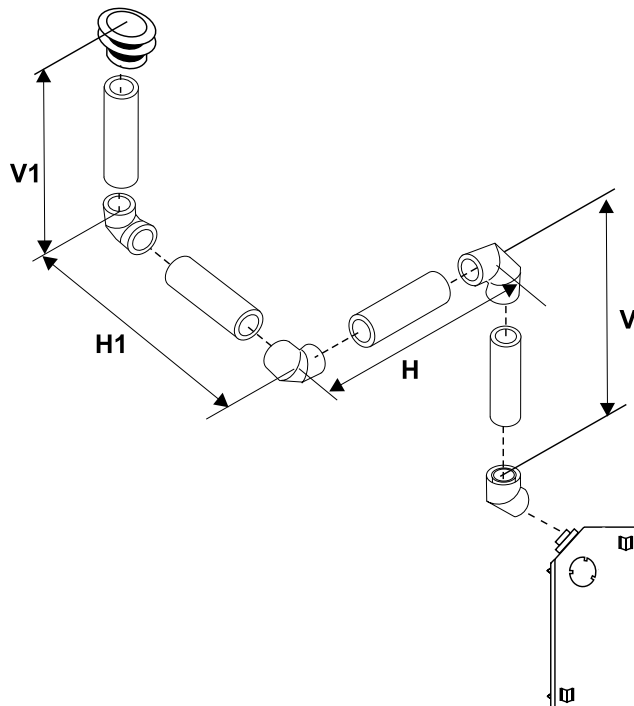
Option	H Max.	V Min.	H + H1 Max.	V + V1 Min.
A)	0.3m	0.3m	0.9m	0.9m
B)	0.6m	0.6m	1.2m	1.5m
C)	0.9m	0.9m	1.5m	2.1m
D)	1.2m	1.2m	1.8m	2.7m
E)	1.5m	1.5m	2.1m	3.3m

With these options, max. total pipe length is 30 feet with min. of 11 feet total vertical and max. 7 feet total horizontal.  
**Please note min. 1 foot between 90° elbows is required.**



## Vertical Flueing with Three (3) 90° Elbows

One 90° elbow = Two 45° elbows.



Option	V Min.	H + H1 Max.	V + V1 Min.
A)	0.6m	0.9m	1.2m
B)	0.9m	1.2m	1.8m
C)	1.2m	1.5m	2.1m
D)	1.5m	1.8m	2.4m
E)	1.8m	2.1m	2.7m
F)	2.1m	2.4m	3m

With these options, max. total pipe length is 30 feet with min. of 10 feet total vertical and max. 8 feet total horizontal.  
**Please note min. 1 foot between 90° elbows is required.**



## HORIZONTAL INSTALLATIONS

Install the flue system according to the manufacturer's instructions included with the components.

- 1) Set the unit in its desired location. Check to determine if wall studs or roof rafters are in the way when the flueing system is attached. If this is the case, you may want to adjust the location of the unit. Rough in the gas preferably on the right side of the unit and the electrical (junction block is on the left side) on the left.
- 2) Direct Flue pipe and fittings are designed with special twist-lock connections to connect the flueing system to the appliance flue outlet. A twist-lock appliance adaptor is an available option that must be used in conjunction with the Simpson Dura-Flue Direct Flue GS system.
- 3) Put a bead of silicone inside the outer section of the adapter and a bead of Stove Mate on the inner collar. Slip the adapter over the existing inner and outer flue collar and fasten to the outer collar only with the 3 supplied screws (drilling pilot holes will make this easier). Level the fireplace and fasten it to the framing using nails or screws through the nailing strips.
- 4) Assemble the desired combination of pipe and elbows to the appliance adaptor and twist-lock for a solid connection.

**Note:**

- a) Twist-lock procedure: Four indentations, located on the female ends of pipes and fittings, are designed to slide straight onto the male ends of adjacent pipes and fittings, by orienting the four pipe indentations so they match and slide in to the four entry slots on the male ends, Dia. 1. Push the pipe sections completely together, then twist-lock one section clockwise approximately one-quarter turn, until the two sections are fully locked. The female locking lugs will not be visible from the outside, on the Black Pipe or fittings. They may be located by examining the inside of the female ends.

**Note: Apply sealant "Mill-Pac" to inner pipe and high temperature silicone sealant to outer pipe on every twist-lock joint.**

- b) Horizontal runs of flue must be supported every three feet. Wall straps are available for this purpose.
- 5) Mark the wall for a 10" (254mm) x 10" (254mm) square hole. The center of the square hole should line up with the centerline of the horizontal pipe. Cut and frame the 10 inch square

hole in the exterior wall where the flue will be terminated. If the wall being penetrated is constructed of non-combustible material, i.e. masonry block or concrete, a 7"(178mm) diameter (7-1/2"(191mm) dia. for flex) hole is acceptable.

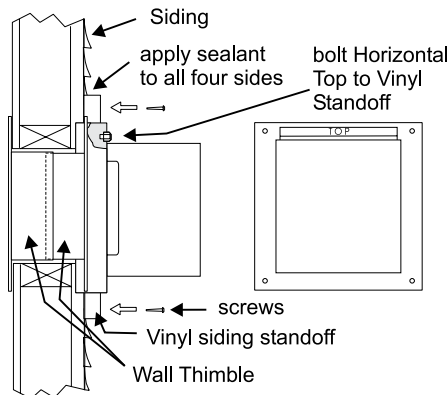
**Note:**

- a) The horizontal run of flue must be level, or have a 1/4" (6.3mm) rise for every 1 foot (0.3m) of run towards the termination. Never allow the flue to run downward. This could cause high temperatures and may present the possibility of a fire.
- b) The location of the horizontal flue termination on an exterior wall must meet all local and national building codes, and must not be blocked or obstructed. For External Flue Terminal Locations, see diagram on page 10.
- c) **Snorkel Terminations:**  
For installations requiring a vertical rise on the exterior of the building, see Diagram 2. Follow the same installation procedures as used for standard Horizontal Termination.

- 6) **The arrow on the flue cap should be pointing up.** Insure that the 1-1/2" clearances to combustible materials are maintained. Install the termination cap.

The four wood screws provided should be replaced with appropriate fasteners for stucco, brick, concrete, or other types of sidings.

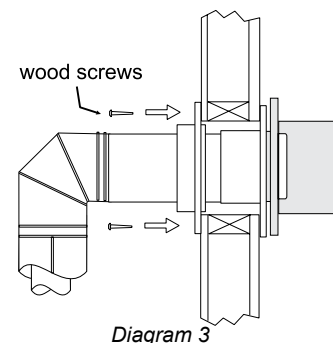
**Note: If installing termination on a siding covered wall, a vinyl siding standoff or**



**furring strips must be used to ensure that the termination is not recessed into the siding.**

- 7) Before connecting the horizontal run of flue pipe to the flue termination, slide the Wall Thimble (Part # 620-926) over the flue pipe.

- 8) Slide the appliance and flue assembly towards the wall carefully inserting the flue pipe into the flue cap assembly. It is important that the flue pipe extends into the flue cap sufficient distance so as to result in a minimum pipe overlap of 1-1/4" (32mm). Secure the connection between the flue pipe and the flue cap 3 sheet metal screws.
- 9) Install wall thimble in the center of the 10" (254mm) square and attach with wood screws (Diagram 3).



\*As specified in CGA B149 Installation Code. Local codes or regulations may require different clearances.

**Below Grade Snorkel Installation**

If the Snorkel Termination must be installed below grade, i.e. basement application, proper drainage must be provided to prevent water from entering the Snorkel Termination. Refer to Dura-Flue Installation instructions for details. Do not attempt to enclose the Snorkel within the wall, or any other type of enclosure.

## VERTICAL TERMINATION

- 1) Maintain the 1-1/2" (38mm) clearances (air spaces) to combustibles when passing through ceilings, walls, roofs, enclosures, attic rafter, or other nearby combustible surfaces. Do not pack air spaces with insulation. Check pages 13-17 for the maximum vertical rise of the flueing system and the maximum horizontal offset limitations.
- 2) Set the gas appliance in its desired location. Drop a plumb bob down from the ceiling to the position of the appliance flue exit, and mark the location where the flue will penetrate the ceiling. Drill a small hole at this point. Next, drop a plumb bob from the roof to the hole previously drilled in the ceiling, and mark the spot where the flue will penetrate the roof.

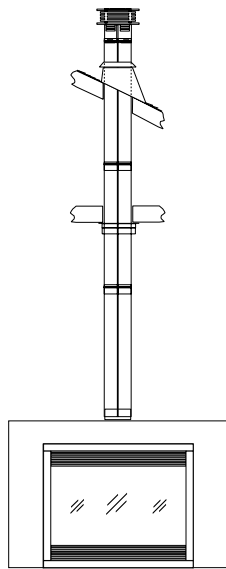


Diagram 1

- 3) A Firestop spacer must be installed in the floor or ceiling of every level. To install the Firestop spacer in a flat ceiling or wall, cut a 10 inch square hole. Frame the hole as shown in Diagram 2 and install the firestop.
- 4) Assemble the desired lengths of pipe and

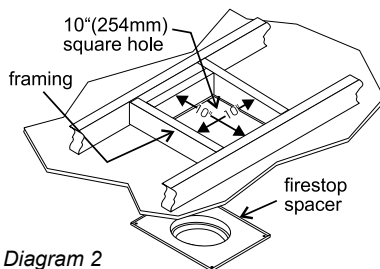
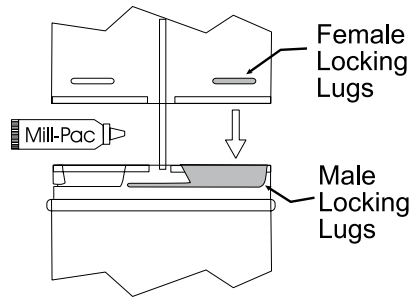


Diagram 2

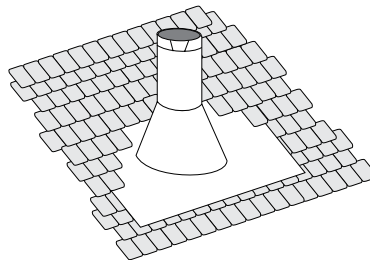
- 5) Cut a hole in the roof centered on the small elbows. Ensure that all pipes and elbow connections are in the fully twist-locked position and sealed.



**Note:** Apply sealant "Mill-Pac" to inner pipe and high temperature silicone sealant to outer pipe on every twist-lock joint.

drilled hole placed in the roof in Step 2. The hole should be of sufficient size to meet the minimum requirements for clearance to combustibles of 1-1/2" (38mm). Slip the flashing under the shingles (shingles should overlap half the flashing) as per Diagram 3.

- 6) Continue to assemble pipe lengths.



**Note:** If an offset is necessary in the attic to avoid obstructions, it is important to support the flue pipe every 3' (0.9m), to avoid excessive stress on the elbows, and possible separation. Wall straps are available for this purpose.

Galvanized pipe is desirable above the roofline due to its higher corrosion resistance. Continue

to add pipe sections through the flashing until the height of the flue cap meets the minimum height requirements specified in Dia. 4 or local codes. Note that for steep roof pitches, the vertical height must be increased. A poor draft, or down drafting can result from high wind conditions near big trees or adjoining roof lines, in these cases, increasing the flue height may solve the problem.

- 7) Ensure flue is vertical and secure the base of the flashing to the roof with roofing nails, slide storm collar over the pipe section and seal with a mastic.
- 8) Install the vertical termination cap by twist-

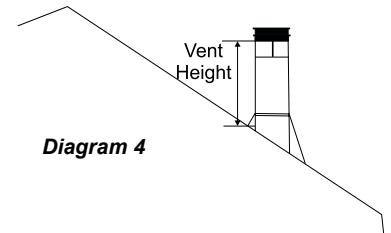


Diagram 4

Roof Pitch	Minimum Flue Height	
	Feet	Meters
flat to 7/12	2	0.61
over 7/12 to 8/12	2	0.61
over 8/12 to 9/12	2	0.61
over 9/12 to 10/12	2.5	0.76
over 10/12 to 11/12	3.25	0.99
over 11/12 to 12/12	4	1.22
over 12/12 to 14/12	5	1.52
over 14/12 to 16/12	6	1.83
over 16/12 to 18/12	7	2.13
over 18/12 to 20/12	7.5	2.29
over 20/12 to 21/12	8	2.44

locking it.

**Note:** Any closets or storage spaces, which the flue passes through must be enclosed.

## PG33-NG System Data

Conversion Kit# 433-968

For 0 to 610 metres altitude  
**Burner Inlet Orifice Size:** #44  
**Max. Input Rating** 23.7 mj.  
**Min. Input Rating** 13.18 mj.

For 610 to 1372 metres altitude  
**Burner Inlet Orifice Sizes:** #45  
**Max. Input Rating** 22.15 mj.  
**Min. Input Rating** 11.1 mj.

**Supply Pressure** min. 1.13 kPa

**Manifold Pressure**  
**(High)** 0.95 kPa  
**(Low)** 0.29 kPa

## PG33-LPG System Data

For 0 to 1372 metres altitude  
**Burner Inlet Orifice Size:** #54

**Max. Input Rating** 23.5 mj.  
**Min. Input Rating** 12.1 mj.

**Supply Pressure** min. 2.75 kPa

**Manifold Pressure**  
**(High)** 2.61 kPa  
**(Low)** 0.70 kPa

## PG33-ULPG System Data

For 0 to 1372 metres altitude  
**Burner Inlet Orifice Size:** #55

**Max. Input Rating** 20.3 mj.  
**Min. Input Rating** 11 mj.

**Supply Pressure** min. 2.75 kPa

**Manifold Pressure**  
**(High)** 2.40 kPa  
**(Low)** 0.60 kPa

## GAS CONNECTION

The gas line should be rigid pipe. Copper may also be used if approved by AS5601-2004.

The gas connection at the valve is 1/2 Female. For minimum and maximum supply pressure see the System Data Table.

## GAS PIPE PRESSURE TESTING

The appliance must be isolated from the gas supply piping system by closing its individual manual shut-off valve during any pressure testing of the gas supply piping system at test pressures equal to or less than 1/2 psig. (3.45 kPa). Disconnect piping from valve at pressures over 3.45 kPa (14" w.c.).

The manifold pressure is controlled by a regulator built into the gas control, and should be checked at the pressure test point.

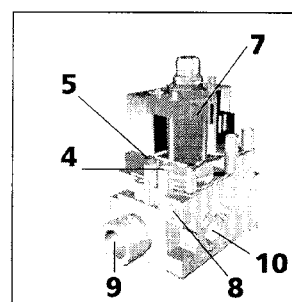
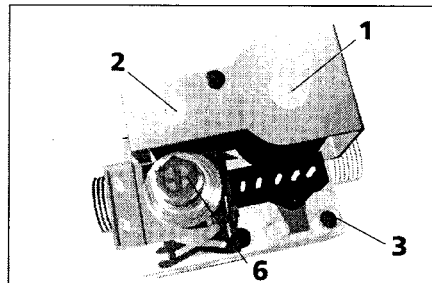
**Note:** *To properly check gas pressure, both inlet and manifold pressures should be checked using the valve pressure ports on the valve.*

- 1) Make sure the valve is in the "OFF" position.
- 2) Loosen the "IN" (# 3) and/or "OUT" (# 4) pressure tap(s), turning counterclockwise with a 1/8" wide flat screwdriver.
- 3) Attach manometer to "IN" and/or "OUT" pressure tap(s) using a 5/16" ID hose.
- 4) Seal and or check the pilot outlet (# 8)
- 5) The pressure check should be carried out with the unit burning and the setting should be within the limits specified on the safety label.
- 6) When finished reading manometer, turn off the gas valve, disconnect the hose and tighten the screw (clockwise) with a 1/8" flat screwdriver. *Screw should be snug, but do not over tighten.*

### S.I.T. Valve Description

- 1) On-Off Solenoid Valve EV1
- 2) On-Off Solenoid Valve EV2
- 3) Inlet Pressure Test Point
- 4) Outlet Pressure Test Point
- 5) Connection for Pressure Regulator/Combustion Chamber Compensation
- 6) Pressure Regulator for Minimum and Maximum Outlet Pressure

- 7) Gas Outlet Pressure Electric Modulator
- 8) Pilot Outlet
- 9) Main Gas Outlet
- 10) Side Outlet



## AERATION ADJUSTMENT

The air shutter can be adjusted by moving the adjusting wire up or down. The wire is accessed through the bottom louvre opening. Open the air shutter for a blue flame or close for a yellower flame. The burner aeration is factory set but may need adjusting due to either the local gas supply or altitude. This adjustment is performed by the gas fitter.

**Minimum Air Shutter Opening:**  
**NG** 12.7mm  
**LPG** 12.7mm  
**ULPG** Fully Open

**CAUTION:** Carbon will be produced if air shutter is closed too much.

**Note:** Any damage due to carboning resulting from improperly setting the aeration controls is NOT covered under warranty.

**Closed - Tall yellow**  
**Open - Short Blue**

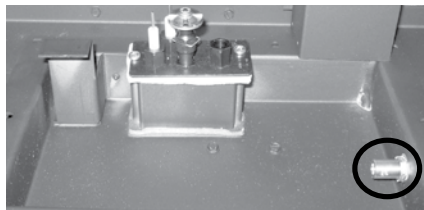
## Conversion Kit #433-968 for NG to LPG

**THIS CONVERSION MUST BE DONE BY A QUALIFIED GAS FITTER IF IN DOUBT  
DO NOT DO THIS CONVERSION !!**

### Conversion Kit Contains:

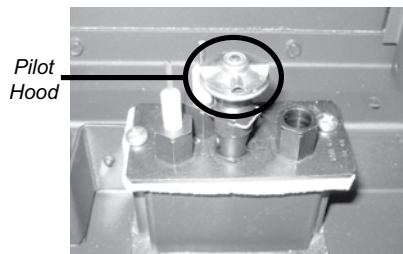
Qty.	Part #	Description
1	904-163	Burner Orifice #54
1	904-529	5/32" Allen Key
1	918-590	Label "Converted to LP"
1	908-528	Red "LPG" label
1	910-037	#30 ULPG Pilot Orifice
1	918-576	Instruction Sheet

- 1) Shut off the gas supply and unplug the power cord.
- 2) Carefully remove the glass, logs and lava rock.
- 3) Remove burner.
- 4) Remove burner orifice with a 1/2" wrench and discard. Use a wrench to hold on to the elbow behind the orifice.
- 5) Reinstall new burner orifice stamped #54 and tighten.

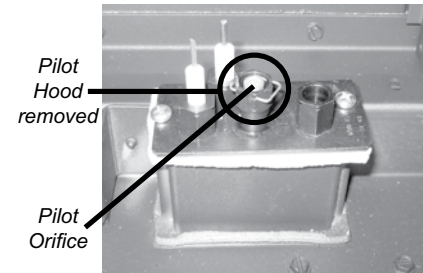


Burner Orifice

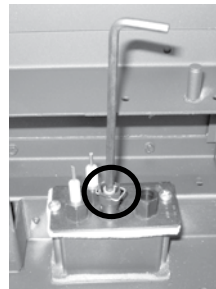
- 6) Pull out the pilot hood by hand.



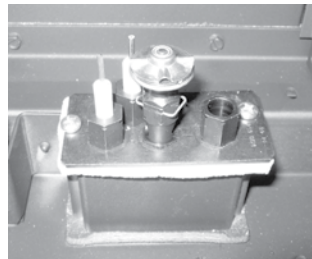
Pilot Hood



- 7) Remove the pilot orifice with the allen key.

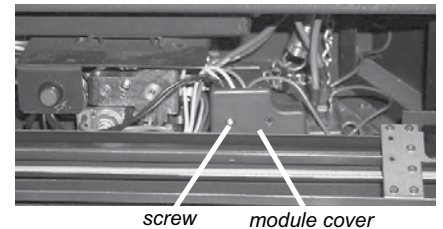


- 8) Put in the new LPG orifice with the allen key. Then put back the pilot hood.

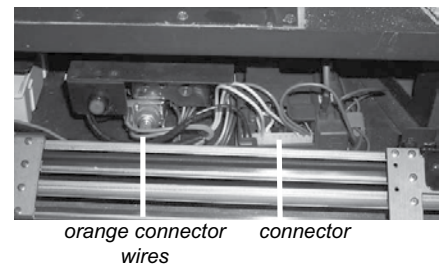


- 9) Adjust the burner aeration setting to 12.7mm and re-install the burner.
- 10) Open the bottom louver.

- 11) Stick the conversion label "This unit has been converted to LPG" over top of the serial number decal.
- 12) Replace the yellow "NG" label with the red "LPG" label.
- 13) Remove the screw from the module and pull off the module cover.

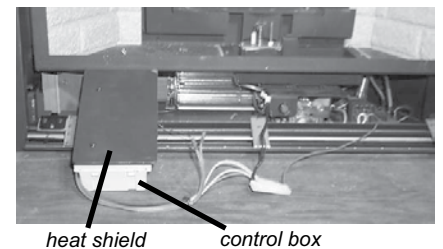


- 14) Pull out the 2 orange wires attached to the valve, and the connector from the module.

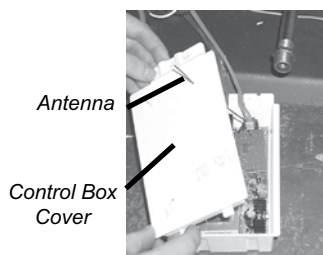


- 15) Carefully pull out the control box.
- 16) Remove the heat shield from the control box by removing the 2 screws.

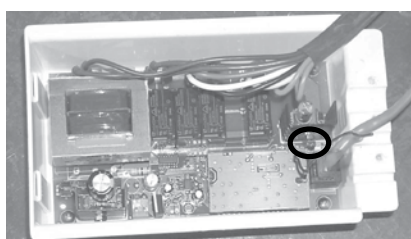
**Note:** The control box is held in place with velcro.



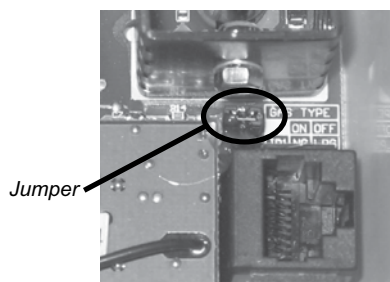
- 17) Remove the control box cover by undoing the 3 screws. Maneuver through antenna.



- 18) Remove the jumper using a plier.



Jumper Location



- 19) Stick the conversion label "This unit has been converted to LPG" on the control box cover.
- 20) Reverse steps 17 to 15.
- 21) Check manual for venting configurations.
- 22) Turn on gas supply and plug in power cord.

- 23) **Adjusting the Outlet Pressure:** All the adjustments must be carried out in the following order:

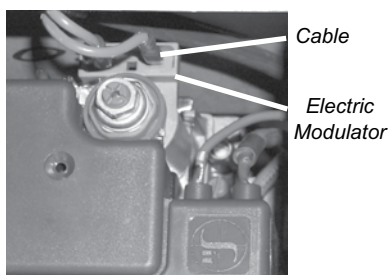
Remove the modulator plastic cap (A) using needle nose pliers.

**Maximum pressure:** Turn the unit ON to its highest input rating. Screw in the nut (B) to increase the outlet pressure and screw it out to decrease it. Use a 10 mm wrench.

**Note:** The outlet pressure must be set to maximum 2.61 kPa.

**Minimum pressure:** Remove one of the cables connected to the electric modulator. Keeping the nut (B) blocked, screw in the screw (C) to increase the pressure and screw it out to decrease it. Use a screwdriver 6 x 1 blade.

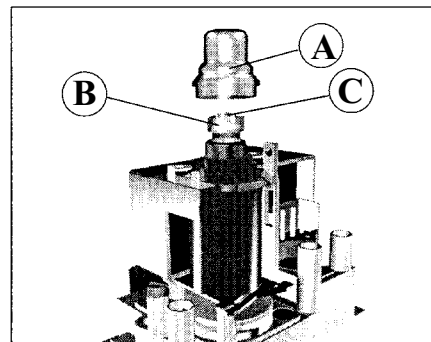
**Note:** The outlet pressure must be set to minimum 0.70 kPa.



After carrying out all adjustments, block the setting screws with paint, taking care not to obstruct the breather orifice of the pressure.

Put back the modulator plastic cap.

**WARNING:** To ensure the correct operation of the modulator it is necessary that the plastic cap (A) is returned to its original location.



- 24) At the end of all setting and adjustment operations, check electrical insulation and gas leaks.
- 25) Check operation of flame control.
- 26) Check for proper flame appearance and glow on logs.

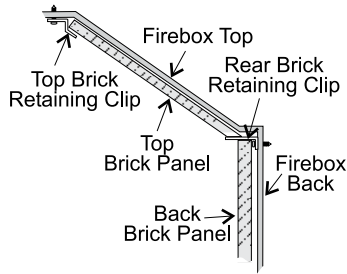
**Installer Notice:**  
These instructions must be left with the appliance.



# installation

## OPTIONAL BRICK PANELS

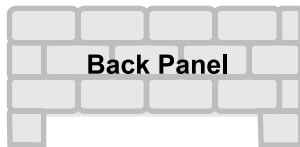
- 1) Undo the bottom 2 door latches and open and remove glass door. Remove logs.



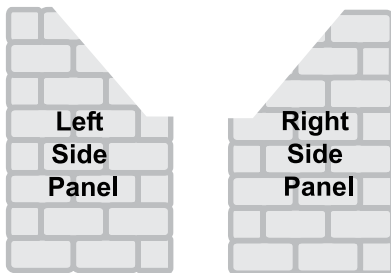
- 2) Attach the 2 Rear Brick Retaining clips to the rear wall. Loosen the screws in the top and rear wall of the firebox and slide the retaining clips into position (tight against the firebox top) and then tighten the screws.

**Note: The logs must not be in the unit.**

- 3) Insert the back brick panel by carefully slipping it between the back wall of the firebox and the rear log bracket.



- 4) Put the side panels in next. Slide them in from the front and push them flat up against the wall. Be very careful not to scratch them on the firebox hardware.



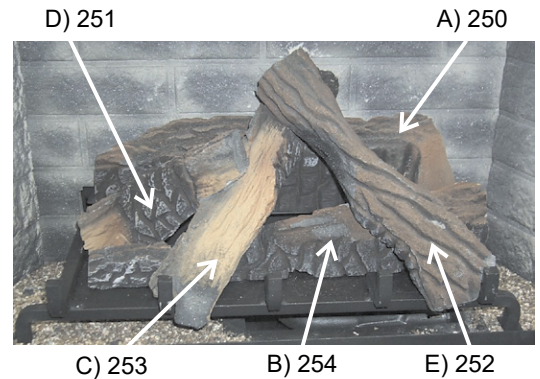
- 5) Slide the Top Brick Panel into position and slide the Top Brick Retaining clips so that they hold the Top Brick Panel in place and tighten down the screws.



## LOG SET INSTALLATION

- E) 252 Front Right Cross Log 902-252
- F) Embers 902-156
- G) Vermiculite 902-179/21
- H) Rockwool

*The 3-digit numbers (i.e. 250) are molded into the rear of each log.*



pins with the flat side to the back.

- 4) Place Log 254 on the front right side of the burner. Push the back of the log against the 2 brackets with the notch on the bottom right side of the log fitting into the right side of the grate.

902-153

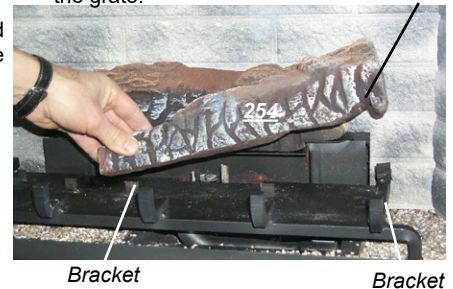
**NOTE: If you will be installing the optional Brick Panels, install the Brick Panels prior to installing the logs.**

- 1) Carefully remove the logs from the box and unwrap them. The logs are fragile, handle with care - **do not force into position.**

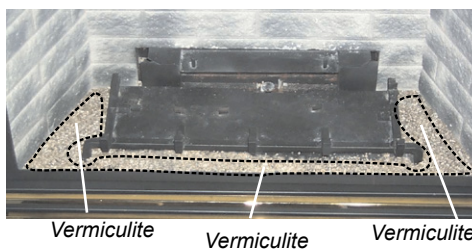
**Read the instructions below carefully and refer to the diagrams. If logs are broken do not use the unit until they are replaced. Broken logs can interfere with the pilot operation.**

Log Kit # 431-930 contains the following pieces:

- A) 250 Rear Log 902-250
- B) 254 Middle Cross Log 902-254
- C) 253 Front Left Cross Log 902-253
- D) 251 Rear Left Log 902-251

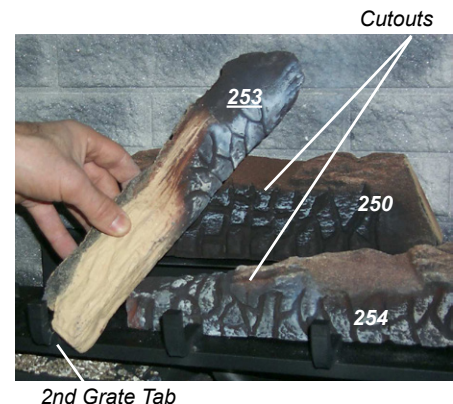


- 5) Position Log 253 across the cutouts in Logs 250 and 254 with the notch on the left side of the log fitting into the 2nd grate tab.

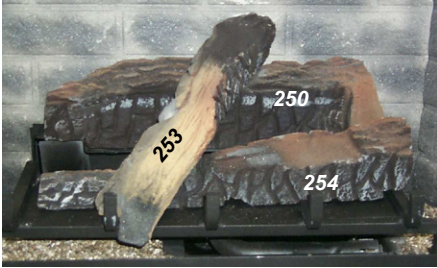


- 2) Sprinkle the vermiculite and embers around the firebox base.

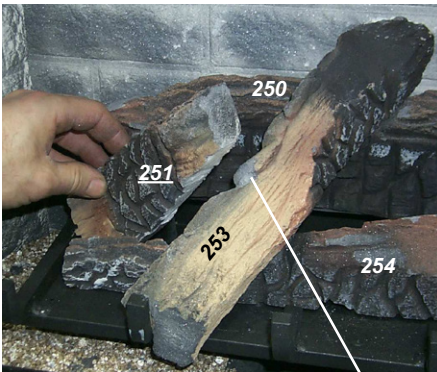
- 3) Place the Log 250 on the rear log support





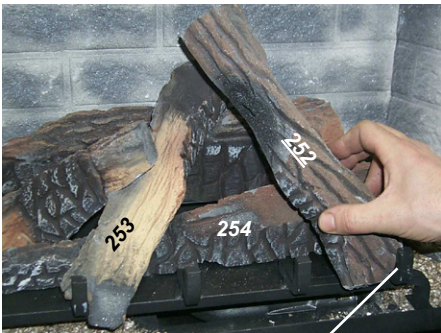


- 6) Place the bottom left front edge of Log 251 against the left edge of the burner tray and rest the log on the cutout on Log 253.



Cutout

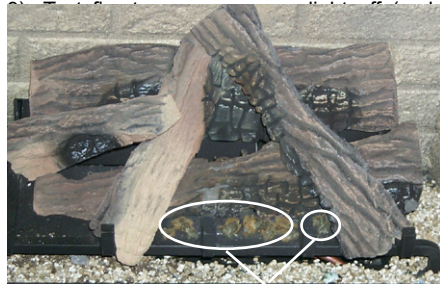
- 7) Position Log 252 across the cutouts in Logs 254 and 253. The notch in the bottom right end fitting against the 5th grate tab.



5th Grate Tab



- 8) Pull off ember size pieces of rockwool and gently place them on the front of the burner tray in the places shown in the photo below. Do not compress the rockwool, leave it loose.



Place rockwool in these 2 locations on the burner tray.

sure flame flows smoothly from one end of burner to the other). If there is any flame hesitation, check that area for any blockage of the burner ports.

- 10) Install flush glass and bay glass (if used) as per instructions in this manual.

Use the hook to pull the spring out until you can put the hook into the slot on the bottom door bracket. Repeat for 2nd spring. See diagram 3.

To remove the flush door, reverse the above steps.

## Optional Flush Trim

Attach the round magnets to the back of the top trim piece and to the bottom trim piece, then attach trim to the top and bottom of Flush door.

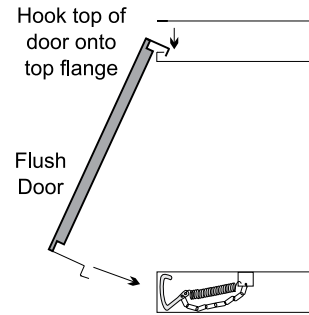
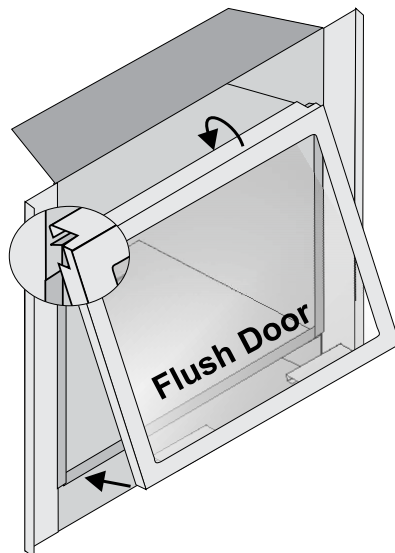


Diagram 1

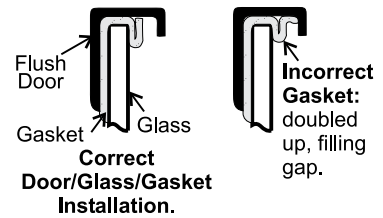


Diagram 2

## FLUSH LOUVERS

- 1) Install the top louver by sliding the two bracket clips into the brackets located

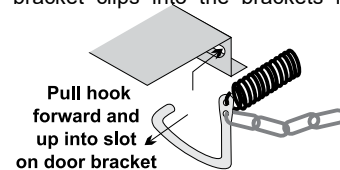
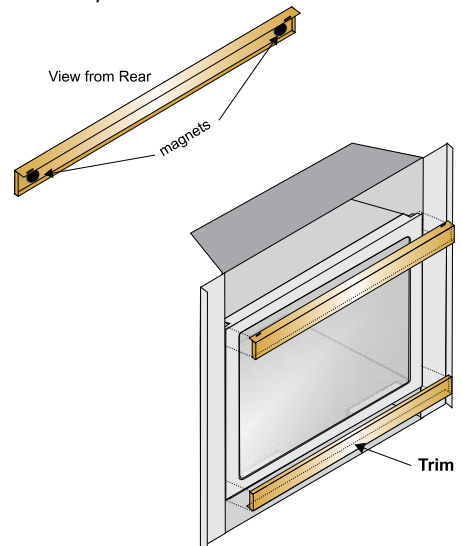


Diagram 3

underneath the top of the firebox.

- 2) Install the bottom louver by folding the louver down and then sliding the Bottom Louver bracket down onto the 2 pins on the base of the unit (dia. 1). Secure with 1 screw as per diagram 2.

Note: Top and bottom louvers are different.

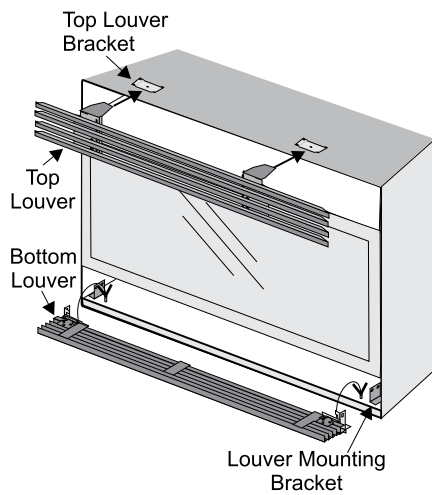
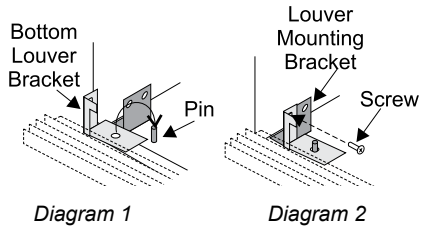


# installation

---

## STANDARD FLUSH DOOR

The **standard flush door** comes with a black frame. To install the frame, simply hook the top door flange onto the top of the unit and swing the door towards the unit, diagram 1. Be careful that the glass gasket does not roll up; there must be a gap between the gasket and the door lip to ensure that the door sits securely on the unit. Diagram 2.

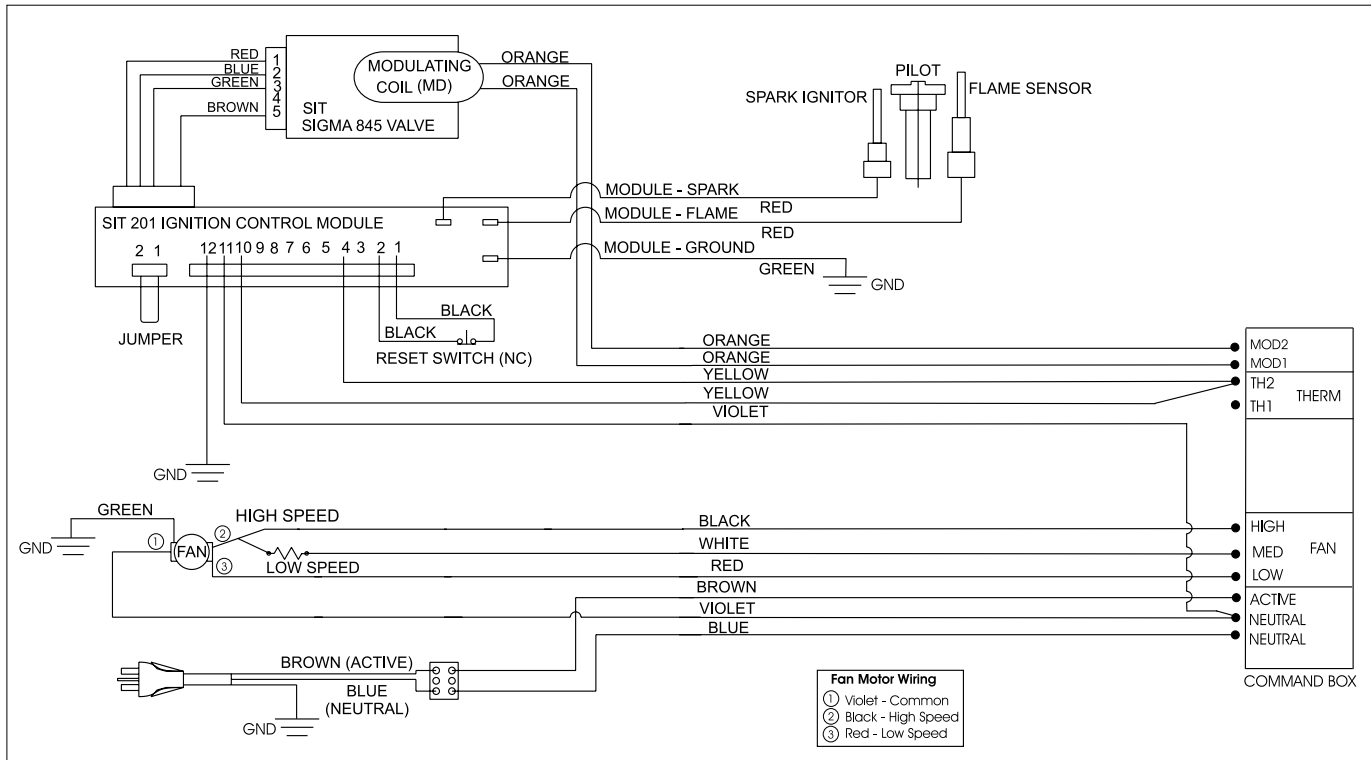


## WIRING

This heater requires a 240V A.C. supply for the gas control to operate. A 240V A.C. power supply is needed for the fan/blower operation.

**Caution:** Ensure that the wires do not touch any hot surfaces and are away from sharp edges.

**CAUTION:** Label all wires prior to disconnection when servicing controls. Wiring errors can cause improper and dangerous operation.



### WARNING: Electrical Grounding Instructions

This appliance is equipped with a three pronged (grounding) plug for your protection against shock hazard and should be plugged directly into a properly grounded three-prong receptacle. Do not cut or remove the grounding prong from this plug.

## COPY OF THE LIGHTING PLATE INSTRUCTIONS

### FOR YOUR SAFETY READ BEFORE LIGHTING

This appliance must be installed in accordance with local codes, if any; if not, follow the current CAN1-B149/ANSI Z 223.1 (Australia: AS5601-2004, New Zealand: NZS 5261)

**WARNING:** If you do not follow these instructions exactly, a fire or explosion may result causing property damage, personal injury or loss of life. Improper installation, adjustment, alteration, service or maintenance can cause injury or property damage. Refer to the owner's information manual provided with this appliance. For assistance or additional information consult a qualified installer, service agency or gas supplier.

A) BEFORE LIGHTING smell all around the appliance area for gas. Be sure to smell next to the floor because some gas is heavier than air and will settle on the floor.

#### WHAT TO DO IF YOU SMELL GAS

- Do not try to light any appliance
- Do not touch any electric switch, do not use any phone in your building
- Immediately call your gas supplier from a neighbors phone. Follow the gas supplier's instructions.
- If you cannot reach your gas supplier, call the fire department.

B) Do not use this appliance if any part has been under water. Immediately call a qualified service technician to inspect the appliance and to replace any part of the control system and any gas control which has been under water.

This appliance needs fresh air for safe operation and must be installed so there are provisions for adequate combustion and ventilation air.

**CAUTION:** Hot while in operation. Do not touch. Severe Burns may result. Due to high surface temperatures keep children, clothing and furniture, gasoline and other liquids having flammable vapors away. Keep burner and control compartment clean. See installation and operating instructions accompanying appliance.

### LIGHTING INSTRUCTIONS

STOP! Read the safety information above on this label.

- 1) Plug the power cord into a power outlet.
- 2) Press and release the ON/OFF button once to start the unit.
- 3) After approximately 3 seconds the spark ignition system will spark for 25 seconds to light the main burner.
- 4) If the main burner does not light, check the gas and reset the unit.

### TO TURN OFF GAS APPLIANCE

- 1) Press the ON/OFF button once.
- 2) Turn off all electric power to the unit if service is to be performed.

**DO NOT REMOVE THIS INSTRUCTION PLATE**

918-332a

**WARNING:**  
DO NOT SPRAY AEROSOLS IN THE VICINITY OF  
THIS APPLIANCE WHILE IN OPERATION.

## REMOTE CONTROL

Use the Regency Remote Control Kit approved for this unit. Use of other systems may void your warranty.

The remote control kit comes with a hand held transmitter and a wall mounting plate.

- 1) Choose a convenient location to mount the hand held transmitter, protection from extreme heat is very important.

The remote can also be used as a wall thermostat.



## LIGHTING INSTRUCTIONS

- 1) Plug the power cord into a power outlet.
- 2) Press and release the ON/OFF button once to start the unit.
- 3) After approximately 3 seconds the spark ignition system will spark for 40 seconds to light the main burner.
- 4) If the main burner does not light, reset the unit.

## RESETTING THE UNIT

- 1) Open the bottom louvre of the unit.
- 2) Press the reset button for approximately 3 seconds. It is located on the unit's control panel once.
- 3) Wait for approximately 3 seconds and the pilot sparks can be heard and seen. It would take 2 to 3 seconds for the flame to be lit.

## SHUTDOWN INSTRUCTIONS

- 1) Press the ON/OFF button once.
- 2) Turn off all electric power to the appliance if service is to be performed.

## FIRST FIRE

The **FIRST FIRE** in your heater is part of the paint curing process. To ensure that the paint is properly cured, it is recommended that you burn your fireplace for at least four (4) hours the first time you use it with the fan on.

When first operated, the unit will release an odour caused by the curing of the paint and the burning off of any oils remaining from manufacturing. Smoke detectors in the house may go off at this time. Open a few windows to ventilate the room for a couple of hours. The glass may require cleaning.

**NOTE:** The main burner will always start on "HIGH" and resume it's last setting after 20 seconds of operation.

**NOTE:** When the glass is cold and the appliance is lit, it may cause condensation and fog the glass. This condensation is normal and will disappear in a few minutes as the glass heats up.

**DO NOT ATTEMPT TO CLEAN THE GLASS WHILE IT IS STILL HOT!**

**DO NOT BURN THE APPLIANCE WITHOUT THE GLASS FRONT IN PLACE.**

**During the first few fires, a white film may develop on the glass front as part of the curing process. The glass should be cleaned or the film will bake on and become very difficult to remove. Use a non-abrasive cleaner and NEVER clean the glass while it is hot.**

## OPERATING INSTRUCTIONS

Before operating this appliance, proceed through the following check list.

- 1) Read and understand these Instructions before operating this appliance.
- 2) Check to see that all wiring is correct and enclosed to prevent possible shock.
- 3) Check to ensure there are no gas leaks.
- 4) Make sure the three pieces of door glass are properly positioned. Never operate the appliance with any of the glass removed or with the door open.
- 5) Verify that all flueing and the cap is unobstructed.
- 6) Verify log placement.

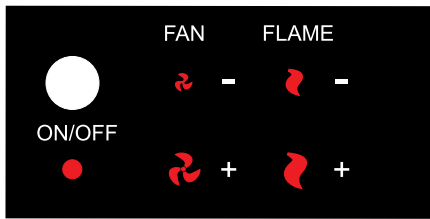
## FAN OPERATION

Set the fan speed on the control panel located in behind the bottom louvre.

Pressing and releasing the plus (+) FAN button will change the fan speed as follows:

OFF -> LOW -> MEDIUM -> HIGH -> OFF, etc.

Pressing and releasing the minus (-) FAN button will be the reverse of the above.



## ADJUSTING FLAME HEIGHT

There are six flame settings that can be adjusted by pressing and releasing the plus (+) and minus (-) FLAME button.

The FLAME setting button is located on the control panel in behind the pedestal door.

## SUMMARY OF CONTROLS

### On/Off Button

If the unit is switched off, pressing and releasing this button once will switch the unit on. The unit will resume its last settings.

If the unit is switched on, pressing and releasing this button once will switch the unit off.

### Flame:

**Increase** - If the unit is switched on, pressing and releasing the flame plus (+) button once will increase the flame height to the next available high setting.

**Decrease** - If the unit is switched on, pressing and releasing the flame minus (-) button once will decrease the flame height to the next available low setting.

### Fan:

**Increase** - If the unit is switched on, pressing and releasing the fan plus (+) button once will increase the fan speed to the next available high setting.

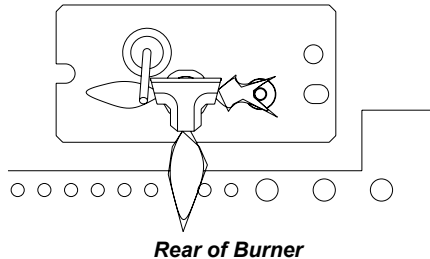
**Decrease** - If the unit is switched on, pressing and releasing the fan minus (-) button once will decrease the fan speed to the next available low setting.

## PILOT ADJUSTMENT

Periodically check the pilot flames. The correct flame pattern has 3 strong blue flames.

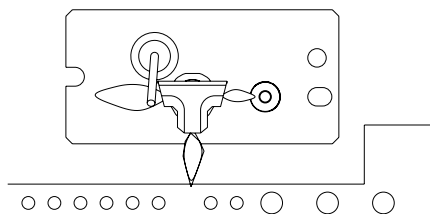
One flowing around the thermocouple, the second flowing across the rear of the burner (it does not have to be touching the burner) and the third flame flowing tangent to the spark ignitor.

**NOTE:** If you have an incorrect flame pattern, contact your Regency dealer for further instructions.



Rear of Burner

*An incorrect flame pattern will have small, probably yellow flames, not coming into proper contact with the rear of the burner or thermopile.*



Rear of Burner

## NORMAL OPERATING SOUNDS OF GAS APPLIANCES

It is possible that you will hear some sounds from your gas appliance. This is perfectly normal due to the fact that there are various gauges and types of steel used within your appliance. Listed below are some examples. All are **normal operating sounds** and should not be considered as defects in your appliance.

### Blower:

Regency gas appliances use high tech blowers to push heated air farther into the room. It is not unusual for the fan to make a "whirring" sound when ON. This sound will increase or decrease in volume depending on the speed setting of your fan speed control.

### Burner Tray:

The burner tray is positioned directly under the burner tube(s) and logs and is made of a different gauge material from the rest of the firebox and body. Therefore, the varying thicknesses of steel will expand and contract at slightly different rates which can cause "ticking" and "cracking" sounds. You should also be aware that as there are temperature changes within the unit these sounds will likely re-occur. Again, this is normal for steel fireboxes.

### Gas Control Valve:

As the gas control valve turns ON and OFF, a dull clicking sound may be audible, this is normal operation of a gas regulator or valve.

### Unit Body/Firebox:

Different types and thicknesses of steel will expand and contract at different rates resulting in some "cracking" and "ticking" sounds will be heard throughout the cycling process.



**WARNING: CHILDREN AND ADULTS SHOULD BE ALERTED TO THE HAZARDS OF HIGH SURFACE TEMPERATURE AND SHOULD STAY AWAY TO AVOID BURNS OR CLOTHING IGNITION. YOUNG CHILDREN SHOULD BE CAREFULLY SUPERVISED WHEN THEY ARE IN THE SAME ROOM AS THE APPLIANCE.**

**CLOTHING OR OTHER FLAMMABLE MATERIAL SHOULD NOT BE PLACED ON OR NEAR THE APPLIANCE.**

**DO NOT USE THIS APPLIANCE IF ANY PART HAS BEEN UNDER WATER. IMMEDIATELY CALL AN AUTHORIZED SERVICE TECHNICIAN TO INSPECT THE APPLIANCE AND TO REPLACE ANY PART OF CONTROL SYSTEM AND ANY GAS CONTROL WHICH HAS BEEN UNDER WATER.**

**CAUTION: ANY SAFETY SCREEN OR GUARD REMOVED FOR SERVICING AN APPLIANCE MUST BE REPLACED PRIOR TO OPERATING THE APPLIANCE.**

## MAINTENANCE INSTRUCTIONS

Any maintenance required accessing the glass door of the unit must be performed by an authorized service person.

- 1) Always unplug the power cord before cleaning. For relighting, refer to lighting instructions. Keep the burner and control compartment clean by brushing and vacuuming at least once a year. When cleaning the logs, use a soft clean brush as the logs are fragile and easily damaged.
- 2) Clean glass (never when unit is hot), appliance, louvres, and door with a damp cloth. Never use an abrasive cleaner. The gold louvres (and optional gold door) may be scratched if abrasives are used to clean them.

The heater is finished in a heat resistant paint and should only be refinished with heat resistant paint (not with wall paint). Regency uses StoveBright Paint - Metallic Black #6309.

- 3) Make a periodic check of burner for proper position and condition. Visually check the flame of the burner periodically, making sure the flames are steady; not lifting or floating. If there is a problem, call an authorized service person.
- 4) The appliance and flueing system must be inspected before use, and at least annually, by an authorized field service person, to ensure that the flow of combustion and ventilation air is not obstructed.

During the annual service call, the burners should be removed from the burner tray and cleaned. Replace the embers - do not block the pilot or burner ports.

- 5) Keep the area near the appliance clear and free from combustible materials, gasoline and other flammable vapours and liquids
- 6) Verify proper operation after servicing.

### General Flue Maintenance

Conduct an inspection of the flueing system semi-annually. Recommended areas to inspect as follows:

- 1) Check the Flueing System for corrosion in areas that are exposed to the elements. These will appear as rust spots or streaks, and in extreme cases, holes. These components should be replaced immediately.
- 2) Remove the Cap, and shine a flashlight down the Flue. Remove any bird nests, or other foreign material.
- 3) Check for evidences of excessive condensation, such as water droplets forming

in the inner liner, and subsequently dripping out the joints, Continuous condensation can cause corrosion of caps, pipe, and fittings. It may be caused by having excessive lateral runs, too many elbows, and exterior portions of the system being exposed to cold weather.

- 4) Inspect joints, to verify that no pipe sections or fittings have been disturbed, and consequently loosened. Also check mechanical supports such as Wall Straps, or plumbers' tape for rigidity.
- 5) Reverse the previous steps, replace the glass clips and fasten with the nuts but do not over tighten, as this can break the glass.
- 6) Replace door on the stove and check the seal.

## GOLD-PLATED or BRASS LOUVERS/TRIM

The 24 carat gold-plated or brass finish on the louvers and trim requires little maintenance, and need only be cleaned with a damp cloth. DO NOT use abrasive materials or chemical cleaners, as they may harm the finish and void the warranty. **Clean any fingerprints off before turning the unit on.**

## LOG REPLACEMENT

The unit should never be used with broken logs. Turn off the gas valve and allow the unit to cool before opening door and carefully remove the logs. (The pilot light generates enough heat to burn someone.) If for any reason a log should need replacement, you must use the proper replacement log. The position of these logs must be as shown in the diagrams under Log Installation.

**Note:** Improper positioning of logs may create carbon build-up and will severely alter the unit's performance which is not covered under warranty.

## GLASS GASKET

If the glass gasket requires replacement use 5/8" flat glass gasket for the Bay Front (Part # 936-243) and a tadpole glass gasket for the Flush Front (Part # 936-155).

## DOOR GLASS

Your Regency stove is supplied with high temperature, 5 mm Neoceram ceramic glass that will withstand the highest heat that your unit will produce. If your glass requires cleaning, we recommend using an approved glass cleaner available at all authorized dealers. Do not use abrasive materials. Do not clean the glass when hot.

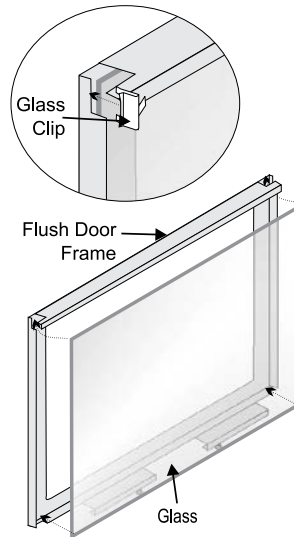
In the event that you break your glass by impact, purchase your replacement from an authorized Regency dealer only, and follow our step-by-step instructions for replacement.

**WARNING: Do not operate the appliance with the glass panels removed, cracked or broken. Replacement of the glass panels should be done by a licensed or qualified service person.**

**Caution: Wear gloves when removing damaged or broken glass.**

## Flush Glass Replacement

Remove the flush door front. Remove the 4 glass clips from each corner. Slide in the new replacement glass. Push the 4 glass clips back onto the frame. **The glass must have gasketing around it.**



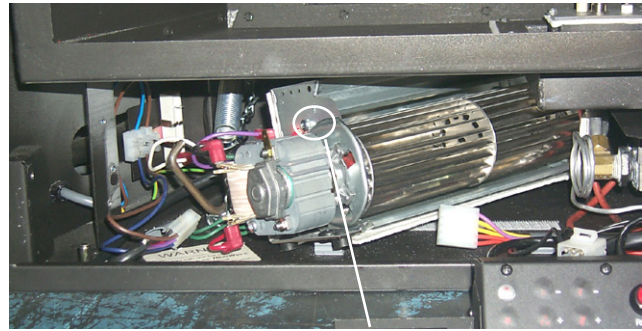
## FAN REPLACEMENT

- 1) Shut off the power supply.
- 2) Remove the top louvre.
- 3) Remove the glass door.
- 4) Remove the 3 screws which secure the manual control box to the bottom louvre and remove the bottom louvre.



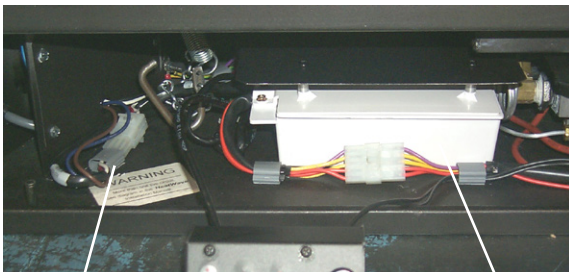
*Manual Control Box*

- 7) Unplug the black wire from the resistor.
- 8) Carefully slide the fan to the front left side of the unit.
- 9) Remove the screw which holds the ground wire and disconnect all electrical connectors that are attached to the fan.



*Ground Wire*

- 5) Unplug the 6 pin Molex connector and carefully pull out the ECS box.

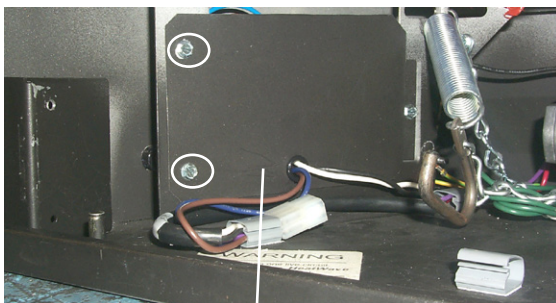


*6 Pin Molex Connector*

*ECS Box*

- 10) Pull out the fan.
- 11) Reverse steps to install new fan.

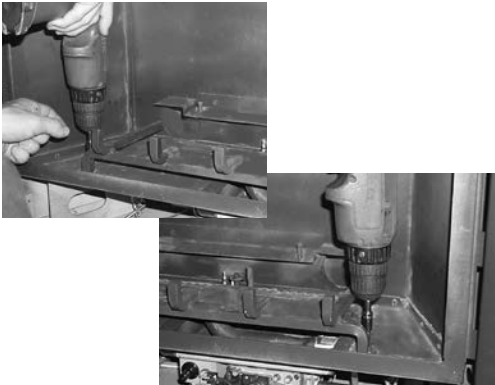
- 6) Remove the electric cover by undoing the 2 screws, pull out the grommet and the harness.



*Electric Cover*

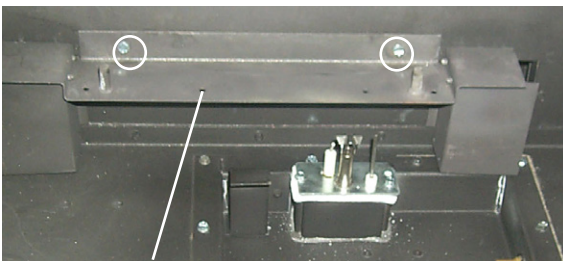
## REMOVING VALVE TRAY

- 1) Shut off the gas supply.
- 2) Remove the louvres.
- 3) Open the flush door and remove door.
- 4) Remove the logs.
- 5) Remove the burner/grate assembly by removing the 2 Philips head screws and then lift the burner assembly out.



*Remove the left and right screws and then lift out the burner/grate assembly.*

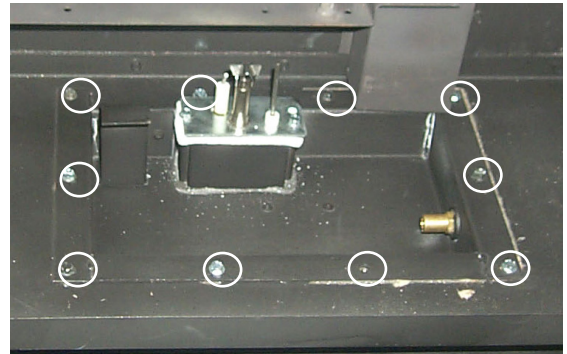
- 6) Remove the rear log log stand by removing the 2 screws.



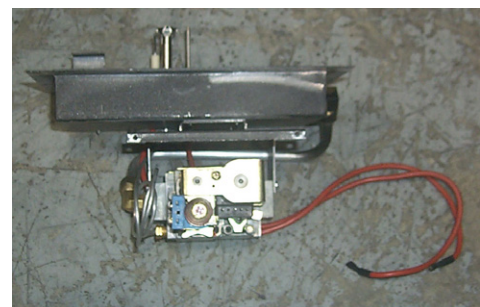
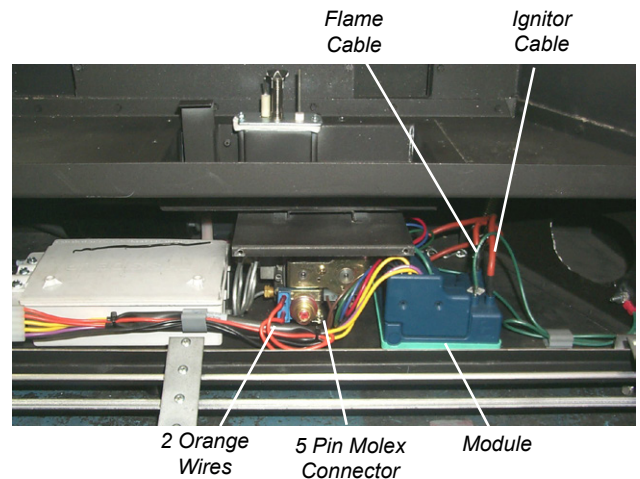
*Rear Log Stand*

- 7) Disconnect the inlet gas line.

- 8) Remove the 10 Philips screws which secure the valve tray assembly.



- 9) Unplug the 2 orange wires from the Gas Pressure Electric Modulator.
- 10) Unplug the 5 pin Molex Connector from the valve.
- 11) Unplug the ignitor and flame cables from the module and then lift the entire valve tray assembly out.

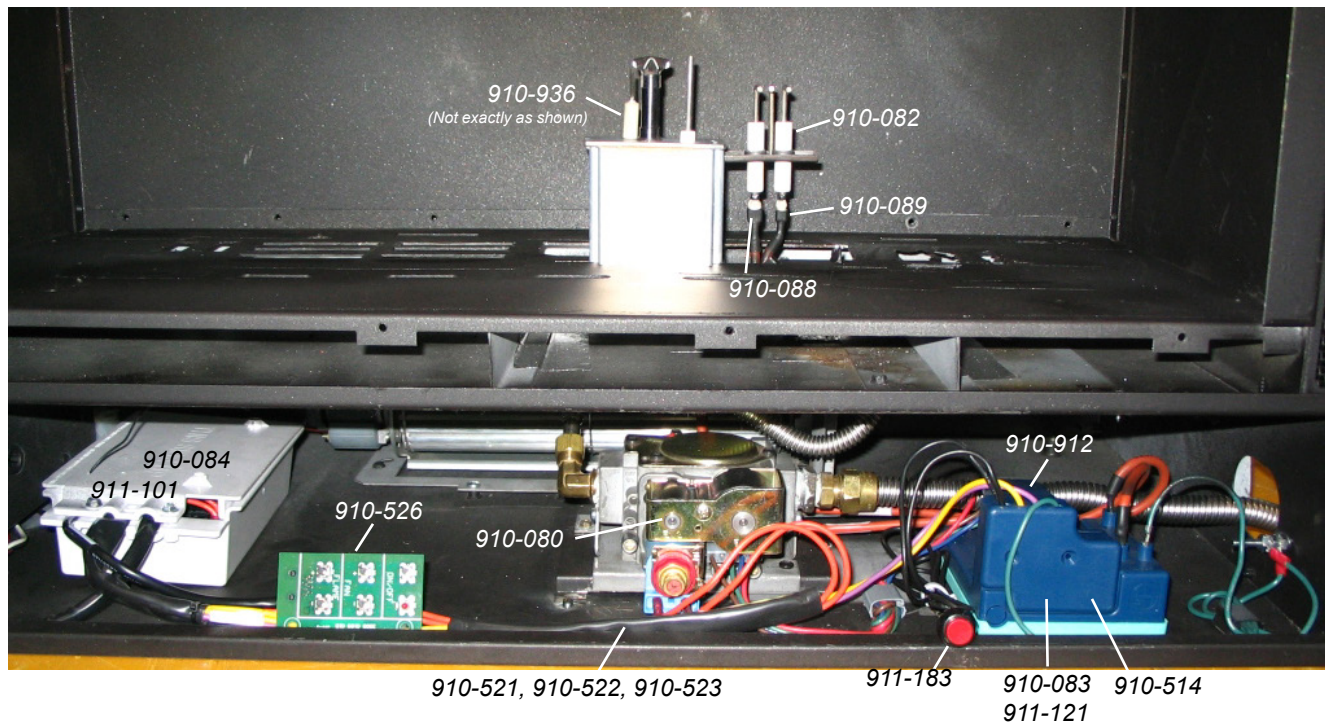


*Valve Tray Assembly*

- 12) To replace the burner tray assembly reverse these instructions.
- 13) Check for any gas leaks.
- 14) Check for proper flame appearance and glow on logs.



## ELECTRONIC COMPONENTS PARTS LIST



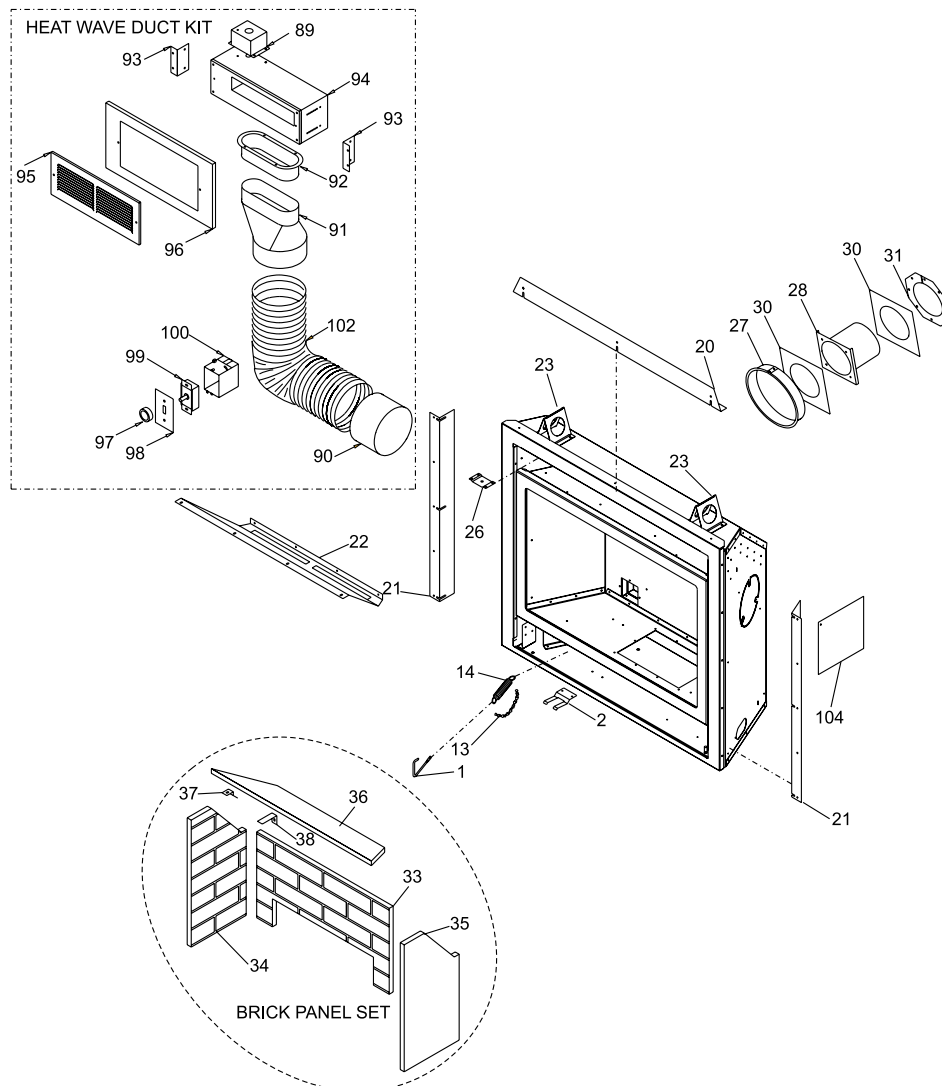
	FG38	FG39	PG33	PG36 / PG36D	PG121/ PG131	GFI300L	IG34	GF900L/C	GF1500L
<b>910-909</b> Fan Resistor	✓	✓	✓	✓	✓	✓	✓	✓	✓
<b>910-936</b> Intermittent Pilot	N/A	✓	✓	✓	✓	N/A	✓	✓	N/A
<b>911-146</b> Intermittent Pilot	N/A	N/A	N/A	N/A	N/A	✓	N/A	N/A	✓
<b>910-082</b> Direct Spark Ignitor	✓	N/A	N/A	N/A	N/A	N/A	N/A	N/A	N/A
<b>910-089</b> Flame Cable	✓	N/A	N/A	N/A	N/A	N/A	N/A	N/A	N/A
<b>910-088</b> Spark Cable	✓	N/A	N/A	N/A	N/A	N/A	N/A	N/A	N/A
<b>910-084</b> Control Box	✓	✓	✓	✓	✓	N/A	✓	N/A	N/A
<b>911-101</b> Control Box	N/A	N/A	N/A	N/A	N/A	✓	N/A	✓	✓
<b>910-527</b> Manual Control Switch	✓	✓	N/A	N/A	N/A	N/A	✓	N/A	N/A
<b>910-080</b> Valve	✓	✓	✓	✓	✓	✓	✓	✓	✓
<b>910-521</b> Control Box Cable (1)				(1)					
<b>910-522</b> Control Box Cable (2)	*N/A	(2)	(1)		(3)	N/A	(2)	N/A	N/A
<b>910-523</b> Control Box Cable (3)									
<b>910-525</b> Control Box Cable (4)									
<b>910-912</b> Ignition Module to Valve Cable	N/A	N/A	✓	✓	✓	✓	✓	✓	✓
<b>911-183</b> Reset Switch	N/A	✓	✓	✓	✓	✓	✓	✓	✓
<b>910-083</b> Ignition Module (1)	(1)	(2)	(2)	(2)	(2)	(2)	(2)	(2)	(2)
<b>911-121</b> Ignition Module (2)	(2)	(2)	(2)	(2)	(2)	(2)	(2)	(2)	(2)
<b>910-514</b> Jumper Wire	N/A	✓	✓	✓	✓	✓			
<b>910-935</b> Manual Control Switch	N/A	N/A	✓	✓	✓	N/A	✓	N/A	N/A

**\*\*Note:** The Control Box Cable wires for the FG38 come separately: 910-502, 910-505, 910-506, 910-507, 910-509

## Main Assembly

Part #	Description	Part #	Description	Part #	Description
1)	948-247 Door Handle	432-901	Brick Panel Set - Standard Brown	102)	946-010 Flexible Air Duct
2)	* Thermodisc Bracket	432-902	Brick Panel Set - Standard Red	946-038	Insulation 6" dia. x 24"
13)	948-045 #12 Jack Chain	432-903	Brick Panel Set - Herringbone Brown	104)	690-022F Cover Plate
14)	948-115 Door Extension Spring	33) *	Brick Panel - Rear	433-968	Conversion Kit - NG to LPG
20)	430-031 Top Nailing Strip	34) *	Brick Panel - Left Side	510-994	Dura-Flue Adaptor
21)	430-032 Side Nailing Strip	35) *	Brick Panel - Right Side	918-649	Manual
22)	433-017 Firebox Baffle	36) *	Brick Panel - Top		
23)	433-011F Top Standoff	37)	430-056 Brick Clip - Top		
24)	511-044 Standoff - Side	38)	430-057 Brick Clip - Bottom		
790-091	Standoff - Rear	89)	946-004 Junction Box		
26)	* Louver Hold Down	90)	946-000 Round Duct Adaptor		
27)	* Outer Flue Collar	91)	946-002 Round to Oval Adaptor		
28)	* Inner Flue Collar Assembly	92)	946-001 Oval Duct Adaptor		
30)	* Gasket - Flue Collar	93)	946-007 Angle Bracket		
31)	* Flue Mounting Plate	95)	946-006 Grill Plate - White		
		96)	946-005 Wall Adaptor Plate - White		

\*Not available as a replacement part.

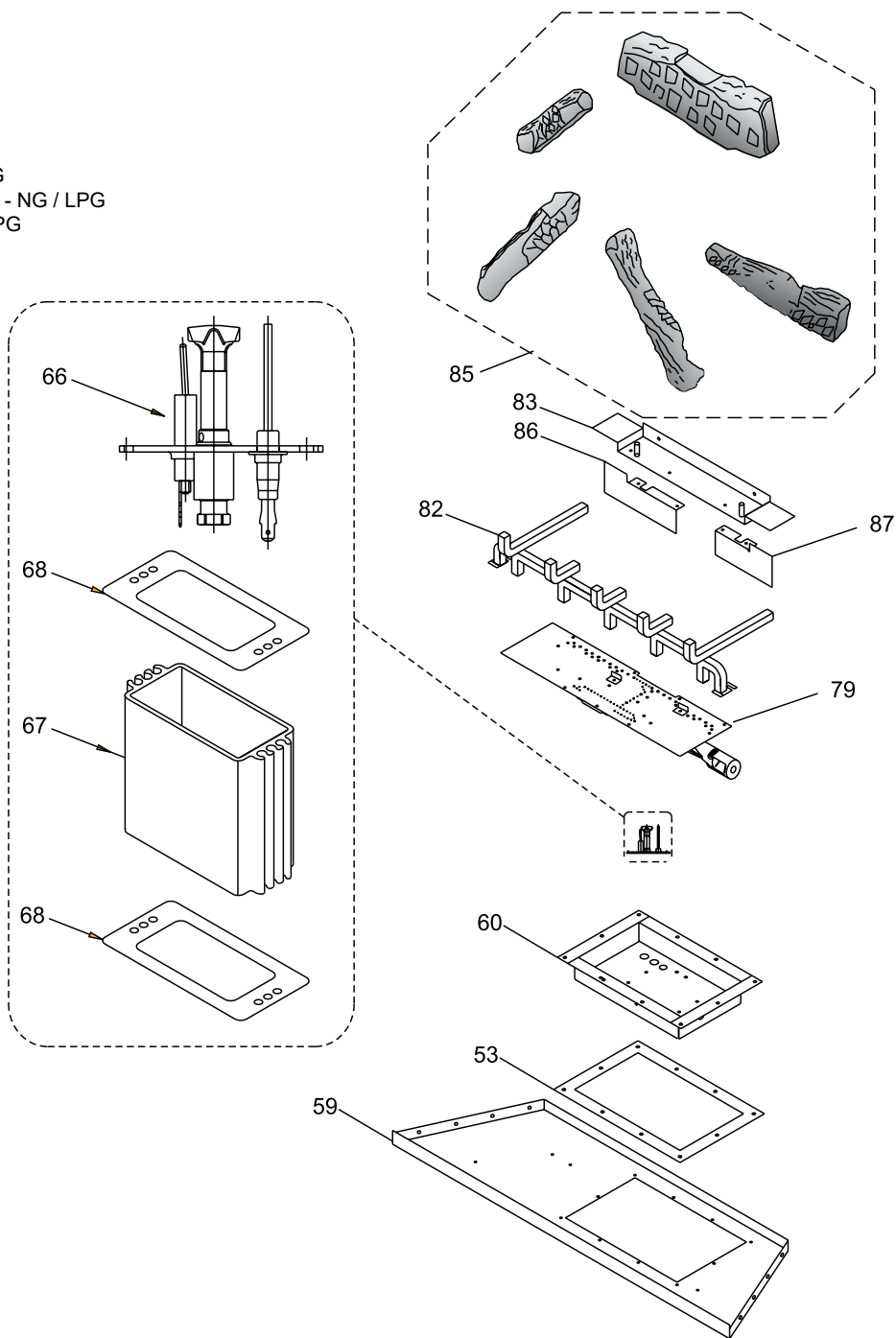




## Burner & Log Assembly

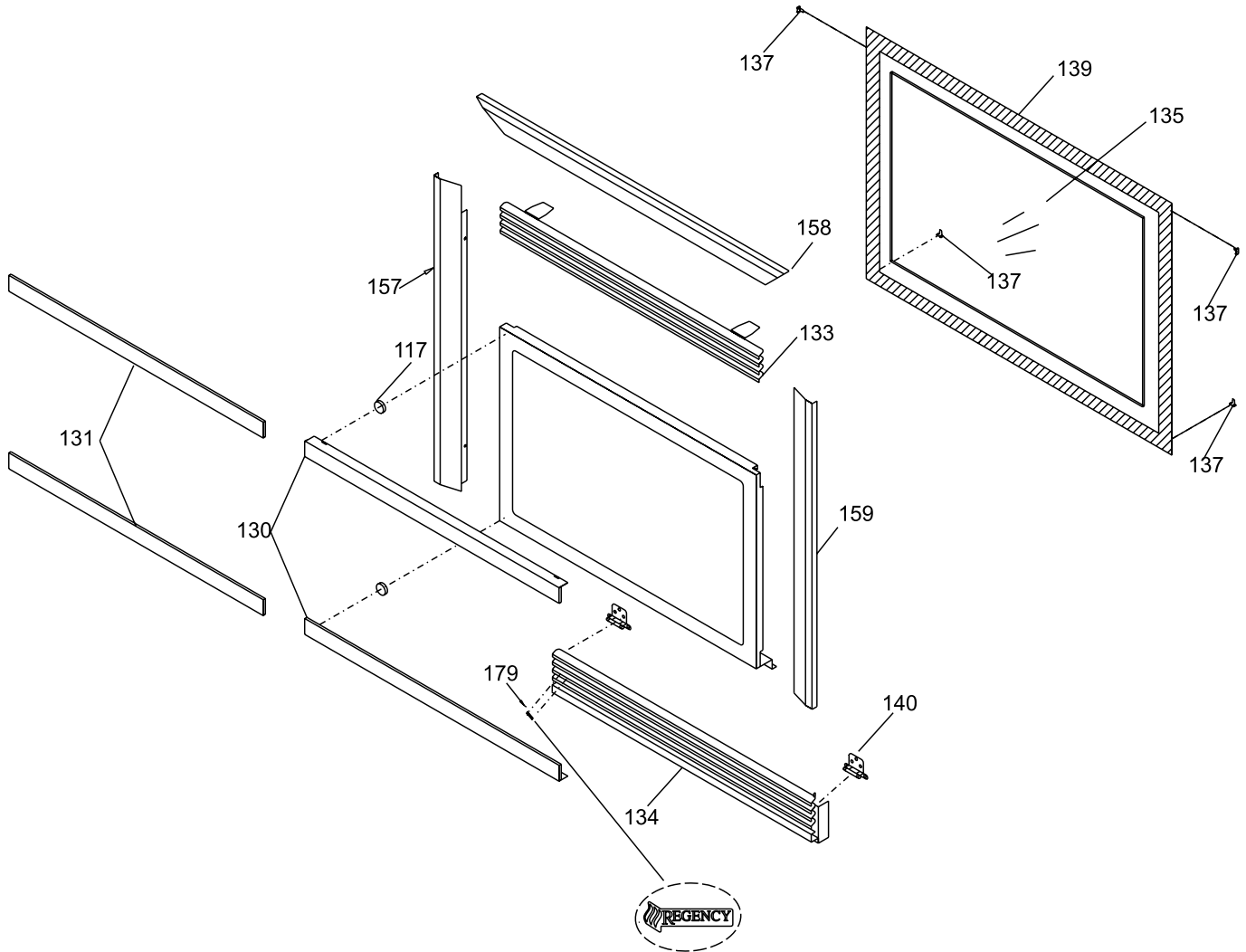
Part	Description
53) 430-055	Gasket - Valve Access Plate - NG / LPG
436-578/P	Valve Assy - NG
436-580/P	Valve Assy - LPG
59) *	Firebox Base
60) *	Valve Tray
66) 910-936	Pilot Assembly - NG
904-568	Orifice #44 - NG
904-163	Orifice #54 - LPG
904-575	Orifice #55 - ULPG
936-170	Orifice Gasket
67) *	Pilot Holder
68) W840470	Pilot Assembly Gasket
79) 433-525	Burner Assy - NG / LPG
82) 433-024	Burner Grate Assembly - NG / LPG
83) *	Rear Log Support Bracket - NG / LPG
85) 431-930	Log Set
86) 430-097	Air Deflector - Left
87) 433-018	Air Deflector - Right

\*Not available as a replacement part.



### Flush Front & Louvers

Part #	Description	Part #	Description
430-918	Flush Louvers (set) - Gold / Black (Option)	158) *	Finishing Trim Top
430-922	Flush Louvers (set) - Black (Option)	179) 948-216	Regency Logo Plate
430-923	Flush Louvers (set) - Black / Steel (Option)		
133) *	Flush Louver Assy - Top		*Not available as a replacement part.
430-162	Front Deflector		
134) *	Flush Louver Assy - Bottom		
433-538	Flush Door Assembly Complete		
135) 940-088/P	Glass (Flush)		
137) 904-691	U-Clip		
139) 936-155	Glass Gasket (Tadpole)		
140) 948-042	Spring Hinge - Black		
430-940	Finishing Trim (Set) - Black (Option)		
157) *	Finishing Trim Left		
159) *	Finishing Trim Right		



**Limited Lifetime Warranty**

FPI Fireplace Products International Ltd. (“the manufacturer”) through its wholly owned subsidiary, Fireplace Products Australia Pty Ltd (for Australia and New Zealand customers) and sold under the Regency® brand of fireplace products (collectively referred to herein as “FPI”), extends this Limited Lifetime Warranty to the original purchaser of this appliance provided the product remains in the original place of installation. The items covered by this limited warranty and the period of such coverage is set forth in the table below.

Some conditions apply (see below).

The policy is not transferable, amendable or negotiable under any circumstances.

Indoor Gas Products Warranty Coverage Parts and Labor	Part				Supplier	Labor Coverage
	Lifetime	5 years	2 years	1 year	Warranty	(Years)
Firebox and Heat Exchanger	✓					3
Steel Burner Tube	✓					3
Glass Thermal breakage only	✓					3
All Surrounds/Inlays Finishes		✓				3
Brick Panels/Log sets/Ceramic Burners		✓				3
All Castings		✓				3
Valve assembly and all gas control components (Pilot assembly, flame sensors, Spark Electrode, Pilot Tubing, Orifices, Thermocouple, Thermopile)			✓			2
All Other Electrical components (Ignition Control Boards, Wiring, Switches, Fans, Fan Control Module, Battery Pack, Remote Control Systems)			✓			1
Enamel Panels			✓			1
Venting/Venting Components			✓			1
All Stainless steel surrounds				✓		1
All Firebox Media (Crystals, Fire beads, Volcanic, Ceramic & Spa Stones)				✓		1
All hardware				✓		1
Mesh/Glass Safety Barriers				✓		1
Accent Light Bulbs				✓		1
Glass (Crazing)				✓		1

After the original warranty coverage for any of the parts above have expired, any repair and/or replacement parts purchased by the consumer from FPI or through an accredited distributor or dealer will carry a ninety (90) day warranty (valid only with an original copy of the tax invoice). No labor coverage is included with any repair and/or replacement part.

Replacement parts are limited to one per warranty term.

**Conditions:**

Warranty protects against defect in manufacture or FPI factory assembled components only, unless herein specified otherwise. This warranty will only apply to those products which are acquired at the time of this warranty being effective. FPI will not be liable for any damage or loss that falls outside the scope of the warranty.

Any part(s) found to be defective during the warranty period as outlined above will be repaired or replaced at FPI's option through an accredited distributor, dealer or pre-approved and assigned agent provided that the defective

## warranty

---

part is returned to the distributor, dealer or agent for inspection if requested by FPI. Alternatively, FPI may at its own discretion fully discharge all of its obligations under the warranty by refunding the verified purchase price of the product to the original purchaser. The purchase price must be confirmed by an original copy of the tax invoice.

**The authorised selling dealer, or an alternative authorised FPI dealer if pre-approved by FPI, is responsible for all in-field diagnosis and service work related to all warranty claims. This warranty does not cover dealer travel costs for diagnostic or service work. Dealers may charge homeowner for travel and additional time. Check with your selling dealer in advance for any costs to you when arranging a warranty call. FPI is not responsible for results or costs of workmanship of unauthorised FPI dealers or agents in the negligence of their service work. Additional service fees may apply if you are seeking warranty service from a dealer other than the dealer from whom you originally purchased the product.**

At all times FPI reserves the right to inspect reported complaints on location in the field claimed to be defective and determine whether the warranty will apply prior to processing or authorising of any claim. Failure to allow this upon request will void the warranty.

All warranty claims must be submitted by the dealer servicing the claim, including an original copy of the tax invoice (proof of purchase by you). All claims must be complete and provide full details as requested by FPI to receive consideration for evaluation, including proof of maintenance records. Incomplete claims may be rejected. FPI has absolute discretion to assess and determine any warranty claim and may accept or reject a claim as it considers appropriate. Any part or parts of the unit found to be defective will be repaired or replaced at FPI's option, through an accredited distributor or service agent provided that the defective part be returned to the distributor or agent, **Transportation Prepaid**, if requested. **It is the general practice of FPI to charge for larger, higher priced replacement parts and issue credit once the replaced component has been returned to FPI and evaluated for manufacturer defect.**

**If a consumer has a unit installed outside an accredited distributor, dealer or pre-approved service agent's service area, or the closest approved service agent is situated more than thirty (30) kilometres from the installation, FPI is not obliged to arrange warranty repairs or shipping/transportation costs. In these cases, the consumer must arrange warranty service with its selling dealer, and shipping, travel and/or additional labor charges will apply.**

Unit must be installed according to all manufacturers' instructions as per the manual.

All Local and National required codes must be met.

The installer is responsible to ensure the unit is operating as designed at the time of installation.

The original purchaser is responsible for annual maintenance of the unit, as outlined in the owner's manual. As outlined below, the warranty may be voided due to problems caused by lack of maintenance. Annual maintenance records should be retained.

Repair/replacement parts purchased by the consumer from FPI after the original coverage has expired on the unit will carry a 90 day warranty, valid with a receipt only. Any item shown to be defective will be repaired or replaced at our discretion. No labor coverage is included with these parts.

### **Exclusions:**

This Limited Lifetime Warranty does not extend to paint, rust or corrosion of any kind due to a lack of maintenance or improper venting, combustion air provision, corrosive chemicals (i.e. chlorine, salt, air, etc.), door or glass gasket.

Malfunction, damage or performance based issues as a result of environmental conditions, location, chemical damages, downdrafts, installation error, installation by an unqualified installer, incorrect chimney components (including but not limited to cap size or type), operator error, abuse, misuse, use of improper fuels, accidents, lack of regular maintenance and upkeep, acts of God, weather related problems from hurricanes, tornados, earthquakes, floods, lightning strikes/bolts or acts of terrorism or war, which result in malfunction of the appliance are not covered under the terms of this Limited Lifetime Warranty.

FPI has no obligation to enhance or modify any unit once manufactured (i.e. as products evolve, field modifications or upgrades will not be performed on existing appliances).

Any unit showing signs of neglect or misuse will not be covered under the terms of this warranty policy and may void this warranty. This includes units with rusted or corroded fireboxes which have not been reported as rusted or corroded within three (3) months of installation/purchase. Any alteration to the unit which causes sooting or carboning that results in damage to the exterior fascia or over firing that can cause component or firebox/heat exchanger failure will not be covered by this warranty.

Units which show evidence of being operated while damaged, or with problems known to the purchaser and causing further damages will void this warranty.

Units where the serial no. has been altered, deleted, removed or made illegible will void this warranty.

Minor movement, expansion and contraction of the steel is normal and is not covered under the terms of this warranty.

Freight damages for products or parts are not covered under the terms of the warranty.

Porcelain/Enamel: Absolute perfection is neither guaranteed nor commercially possible. Any chips must be reported and inspected by the authorised selling dealer within three (3) days of installation. Any damage of this type not reported after this time period will be subject to rejection and any related warranty will not apply.

Special Finishes: Expect some changes in color as the product "ages" with constant heating and cooling. The manufacturer warranty does not cover tarnishing, changing colors and/or marks (i.e. finger prints, etc.) after the purchase of the product. Damage from the use of abrasive cleaners is not covered by warranty.

Products made or provided by other manufacturers and used in conjunction with the FPI appliance without prior authorisation from FPI may void this warranty.

**INCORRECT INSTALLATION OR GAS PRESSURE SETTINGS ARE NOT COVERED BY WARRANTY. A SERVICE OR CALLOUT FEE WILL BE CHARGED IN THESE CIRCUMSTANCES.**

# warranty

---

## Limitations of Liability:

### 1. Exclusion of implied terms

The customer may have the benefit of consumer guarantees under the Australian Consumer Law. To the maximum extent permitted by law, all terms, conditions or warranties that would be implied into this Warranty or in connection with the supply of any goods or services by the supplier under law or statute or custom or international conventions are excluded.

### 2. Limitation of liability

(a) To the maximum extent permitted by law and subject to clauses 1 and 3, the supplier's total liability arising out of or in connection with its performance or its obligations pursuant to this Warranty, or arising out of or in connection with the supply of specific goods or services (including pursuant to or for breach of this Warranty, under statute, in equity or for tort, including negligent acts or omissions) is limited as follows: (i) the supplier shall have no liability to the customer for any Consequential Loss; (ii) without limiting the effect of clause 2(a)(i), the supplier's total aggregate liability for Loss, however arising, shall not exceed the GST exclusive aggregate price paid by the customer to the supplier for the specific goods or services that gave rise to the Loss in question.

(b) The limitations and exclusions in this sub-clause do not apply to the extent that any Loss is directly attributable to: (i) the personal injury or death caused by the supplier's default, breach of this Warranty or negligence; or (ii) fraud by the supplier.

(c) Each party must take reasonable steps to mitigate any Loss it suffers or incurs.

### 3. Limitation of liability under Australian Consumer Law Guarantees

(a) To the extent that goods supplied by the supplier are not goods of a kind ordinarily acquired for personal, domestic or household use and the customer is deemed to be a consumer for the purposes of section 64A of the Australian Consumer Law, the customer agrees that the supplier's liability for a failure to comply with a consumer guarantee that the customer may have a benefit under the Australian Consumer Law (other than a guarantee under sections 51 (title), 52 (undisturbed possession) and 53 (undisclosed securities)), is limited to, at the option of the supplier, one or more of the following: (i) replacement of the goods or the supply of equivalent goods; (ii) the repair of the goods; (iii) the payment of the cost of replacing the goods or of acquiring equivalent goods; or (iv) equivalent goods; or (v) the payment of the cost of having the goods repaired.

(b) To the extent that services supplied by the supplier are services other than services of a kind ordinarily acquired for personal, domestic or household use or consumption, the supplier's liability for failure to comply with a consumer guarantee that the customer may have the benefit of is limited to, at the option of the supplier: (i) the supply of the services again; or (ii) the payment of the cost of having the services supplied again.

### 4. Subject to Change

This Limited Warranty is given at the time of sale and purchase of the relevant fireplace product. The terms of this Limited Warranty may be amended from time to time by FPI in accordance with changes to business practices, consumer laws or other legal requirements. The rights and protections granted under the Limited Warranty are those in force in relation to a fireplace product at the time and in the place of sale of that product, and only those terms will be applicable in respect of that product.

### 5. Severability

Any term of this Limited Warranty that is invalid or unenforceable in any jurisdiction is to be read down for the purposes of that jurisdiction, if possible, so as to be valid and enforceable, and is otherwise capable of being severed to the extent of the invalidity or unenforceability, without affecting the remaining provisions of this Limited Warranty or affecting the validity or enforceability of that provision in any other jurisdiction.

### 6. Definitions

For purposes of clauses 1, 2 and 3:

(a) Consequential Loss means loss of expected savings, loss of use, loss of opportunity, loss of profit, loss of revenue, increased financing costs, loss arising from delay, or any consequential, special or indirect loss or damage, whether or not the possibility or potential extent of the loss or damage was known or foreseeable, and whether arising from a claim under indemnity, contract, tort (including negligence), statute or otherwise.

(b) Loss means any expense, cost or damage of any kind and includes Consequential Loss and a fine or penalty imposed by a statutory or other authority.



**How to Obtain Warranty Service:**

Customers should contact the authorised selling dealer to obtain warranty service. In the event the authorised selling dealer is unable to provide warranty service, please contact FPI by mail at the address listed below. Please include your name, address, purchase date, selling dealer, serial #, type of unit, a brief description of the problem, email and telephone contact information, and a copy of your original tax invoice. A representative will contact you to make arrangements for an inspection and/or warranty service. (See below for Western Australia and/or New Zealand)

Please note Fireplace Products Australia Pty Ltd does not provide installation services.

**Fireplace Products Australia Pty Ltd**

1 – 3 Conquest Way  
Hallam, VIC  
Australia, 3803  
Phone: +61 3 9799 7277  
Fax: +61 3 9799 7822

To obtain warranty service in Western Australia and/or New Zealand, please contact one of our authorised distributors in those areas:

Western Australia:**Air Group Australia**

28-30 Division St.  
Welshpool, WA  
Australia, 6106  
Phone: (08) 9350 2200  
Fax: (08) 9353 4225

New Zealand:**Aber Holdings Ltd**

PO Box 10095  
Te Rapa, Hamilton  
New Zealand, 3241  
Freephone: 0800 161 161

**Product Registration and Customer Support:**

Thank you for choosing a Regency Fireplace. Regency strives to be a world leader in the design, manufacture, and marketing of hearth products. To provide the best support for your product, we request that you complete a product registration form at <http://www.regency-fire.com.au/Customer-Care/Warranty-Registration.aspx> within ninety (90) days of purchase.



**Product Registration and Customer Support:**

Thank you for choosing a Regency Fireplace. Regency strives to be a world leader in the design, manufacture, and marketing of hearth products. To provide the best support for your product, we request that you complete a product registration form found on our Web Site under Customer Care within ninety (90) days of purchase.

For purchases made in **CANADA or the UNITED STATES:**

<http://www.regency-fire.com/Customer-Care/Warranty-Registration.aspx>

For purchases made in **AUSTRALIA:**

<http://www.regency-fire.com.au/Customer-Care/Warranty-Registration.aspx>

You may also complete the warranty registration form below to register your Regency Fireplace Product and mail and/or fax it back to us, and we will register the warranty for you. It is important you provide us with all the information below in order for us to serve you better.

**Warranty Registration Form (or Register online immediately at the above Web Site):**

<b>Warranty Details</b>	
Serial Number (required):	
Purchase Date (required) (mm/dd/yyyy):	
<b>Product Details</b>	
Product Model (required):	
<b>Dealer Details</b>	
Dealer Name (required):	
Dealer Address:	
Dealer Phone #:	
Installer:	
Date Installed (mm/dd/yyyy):	
<b>Your Contact Details (required)</b>	
Name:	
Address:	
Phone:	
Email:	

For purchases made in CANADA:

**FPI Fireplace Products International Ltd.**  
6988 Venture St.  
Delta, British Columbia  
Canada, V4G 1H4

Phone: 604-946-5155  
Fax: 604-946-4349

For purchases made in the UNITED STATES:

**Fireplace Products U.S., Inc.**  
PO Box 2189 PMB 125  
Blaine, WA  
United States, 98231

Phone: 604-946-5155  
Fax: 604-946-4349

For purchases made in AUSTRALIA:

**Fireplace Products Australia Pty Ltd**  
1- 3 Conquest Way  
Hallam, VIC  
Australia, 3803

Phone: +61 3 9799 7277  
Fax: +61 3 9799 7822

For fireplace care and tips and answers to most common questions please visit our Customer Care section on our Web Site. Please feel free to contact your selling dealer if you have any questions about your Regency product.



***Installer: Please complete the following information***

**Dealer Name & Address:** \_\_\_\_\_

\_\_\_\_\_

**Installer:** \_\_\_\_\_

**Phone #:** \_\_\_\_\_

**Date Installed:** \_\_\_\_\_

**Serial No.:** \_\_\_\_\_